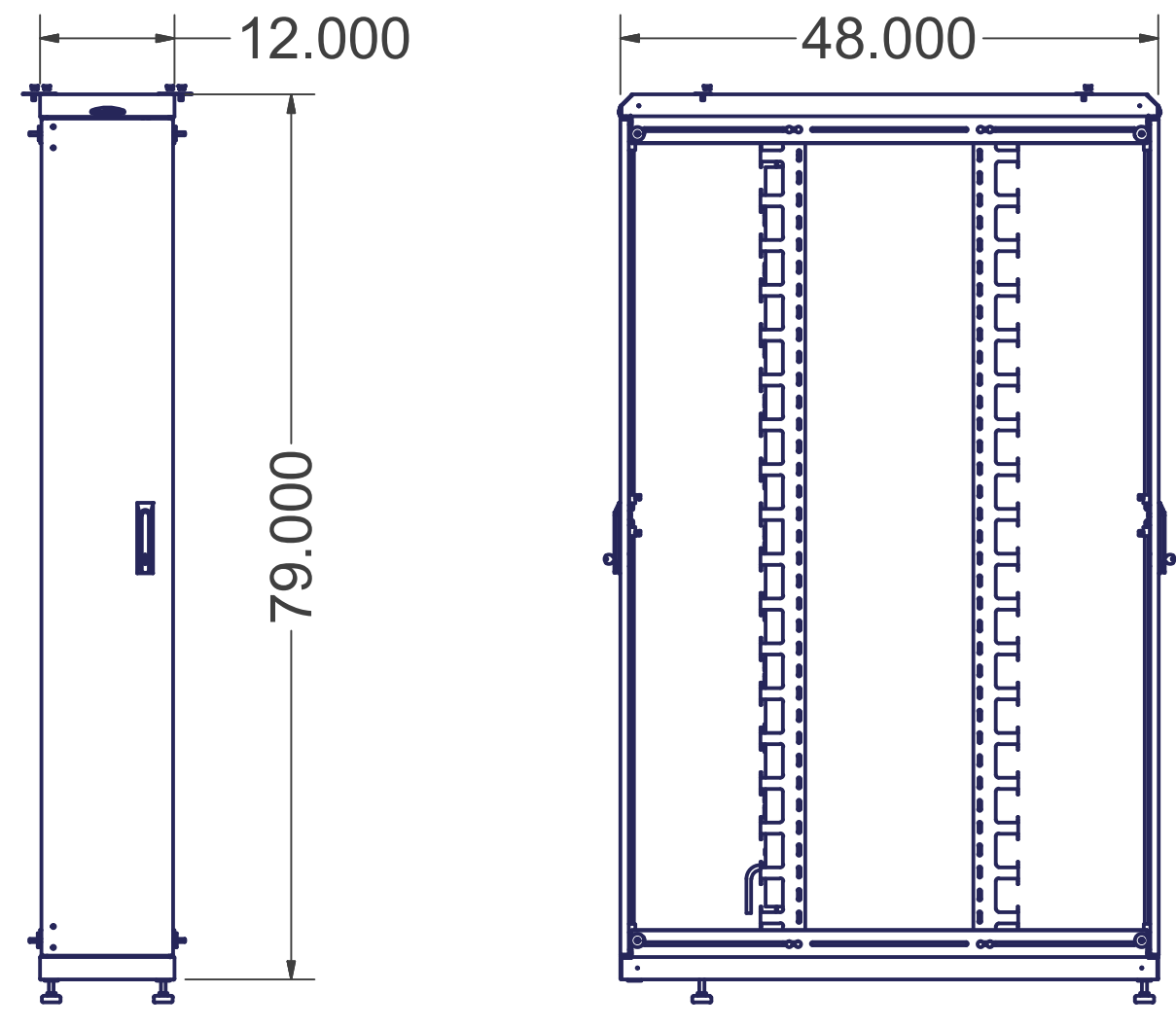
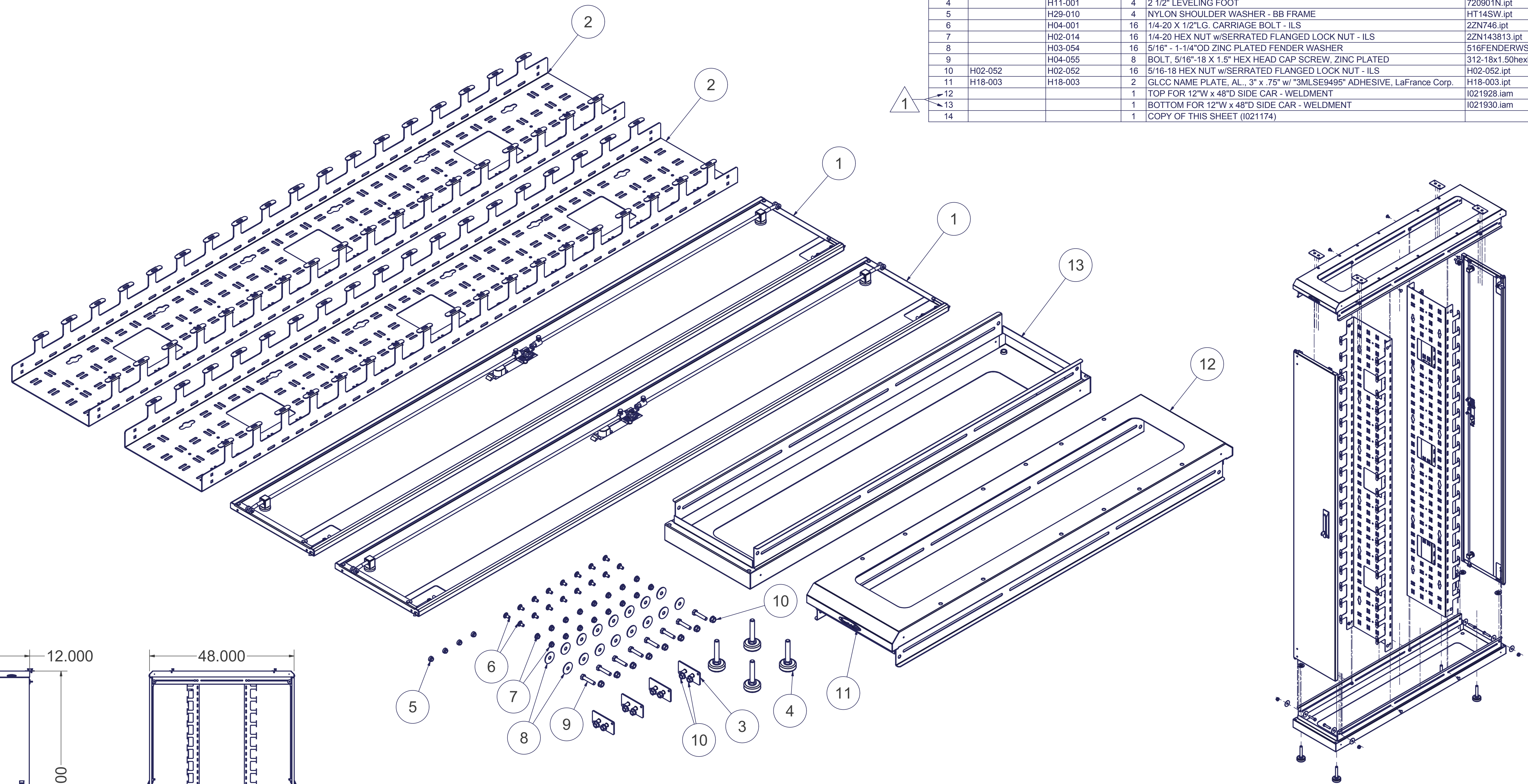


REVISION HISTORY			
REV	DESCRIPTION	DATE	APPROVED
0	ECO-06204	3/24/14	TAD
1	ECO-06286	6/19/2014	CDM

Bill of Material						
ITEM	PART NUMBER	STOCK NUMBER	QTY	DESCRIPTION	FILE NAME	REV
1	I021163		2	LOCKING DOOR FOR 12"W x 79"H SIDE CAR - ASSEMBLY	I021163.iam	1
2	I021162		2	VERTICAL LACING BAR FOR 79"H x 12"W SIDE CAR - DETAIL	I021162.ipt	0
3			4	SIDE CAR CONNECTOR	I015736.iam	0
4		H11-001	4	2 1/2" LEVELING FOOT	720901N.ipt	-
5		H29-010	4	NYLON SHOULDER WASHER - BB FRAME	HT14SW.ipt	-
6		H04-001	16	1/4-20 X 1/2" LG. CARRIAGE BOLT - ILS	22N746.ipt	-
7		H02-014	16	1/4-20 HEX NUT w/SERRATED FLANGED LOCK NUT - ILS	22N143813.ipt	-
8		H03-054	16	5/16" - 1-1/4" OD ZINC PLATED FENDER WASHER	516FENDERWSR.ipt	-
9		H04-055	8	BOLT, 5/16"-18 X 1.5" HEX HEAD CAP SCREW, ZINC PLATED	312-18x1.50hexbolt.ipt	-
10	H02-052	H02-052	16	5/16-18 HEX NUT w/SERRATED FLANGED LOCK NUT - ILS	H02-052.ipt	-
11	H18-003	H18-003	2	GLCC NAME PLATE, AL., 3" x .75" w/ "3MLSE9495" ADHESIVE, LaFrance Corp.	H18-003.ipt	-
12			1	TOP FOR 12"W x 48"D SIDE CAR - WELDMENT	I021928.iam	0
13			1	BOTTOM FOR 12"W x 48"D SIDE CAR - WELDMENT	I021930.iam	0
14			1	COPY OF THIS SHEET (I021174)		



SPECIAL NOTES:

- 1) INSTALL DOME LABELS ONTO TOP PANEL, FRONT AND BACK, BEFORE SHIPPING.
- 2) BAG ALL EXTRA HARDWARE AND SHIP WITH PARTS.
- 3) SHIP SHEETS 2 & 3 ALONG WITH KIT FOR ASSEMBLY INSTRUCTIONS.
- 4) BAG ALL COMPONENTS AND SHIP AS KIT.
- 5) REFER TO PURCHASE ORDER SPECIAL INSTRUCTIONS MAY APPLY.

NOTE: REV. LEVEL ASSOCIATED TO FLAT PACK

EST. WEIGHT: N/A	INTERPRET DRAWING PER ASME Y14.5M-1994 DIMENSIONAL LIMITS APPLY AFTER APPLICATION OF FINISH DRAWING NOT TO SCALE TOLERANCE UNLESS OTHERWISE NOTED: ANGULAR +/- .1" .XXXX +/- .010 .XXX +/- .015 .XX +/- .030 .X FOR REF. ONLY	NOTICE: Use of this document is subject to a confidentiality and nondisclosure agreement with Great Lakes Case & Cabinet Co., Inc. (GLCC) and may not be reproduced, disclosed or utilized in whole or in part without prior written authorization from GLCC.	PART NUMBER: SC127948X100	TITLE 12"W x 79"H x 48"D EXTERNAL CABLE MANAGEMENT "SIDE CAR" KIT FOR 7901ES GREAT LAKES CASE & CABINET CO., INC. P.O. BOX 551 EDINBORO, PA 16412 PHONE (814) 734-7303 FAX (814) 734-3907 E-MAIL glcc@greatcabinets.com
	THIRD ANGLE PROJECTION		QTY PER UNIT: 1	
			DWG NO: 1021174	REV 1
				SHEET: 1 OF 3