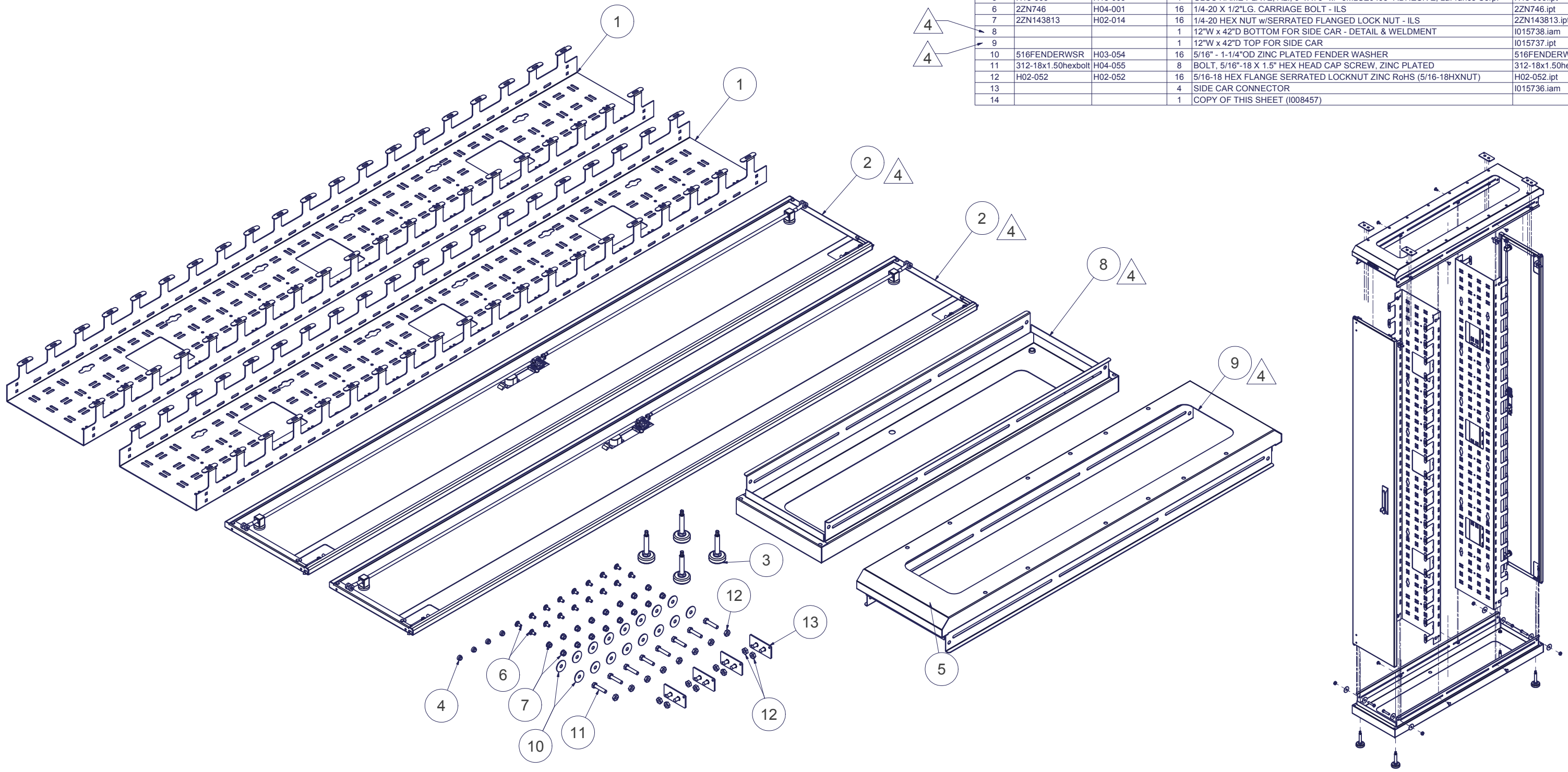


REVISION HISTORY			
REV	DESCRIPTION	DATE	APPROVED
3	ECO-003551	4/23/2012	MZ
4	ECO-03609	6/2/2012	CDM

3 RE-DESIGNED PARTS AND ASSEMBLY.

Bill of Material						
ITEM	PART NUMBER	STOCK NUMBER	QTY	DESCRIPTION	FILE NAME	REV
1			2	VERTICAL LACING BAR FOR 84"H x 12"W SIDE CAR - DETAIL	I015739.ipt	0
2			2	LOCKING DOOR FOR 12"W x 84"H SIDE CAR - ASSEMBLY	I015740.iam	1
3	720901N	H11-001	4	2 1/2" LEVELING FOOT	720901N.ipt	-
4	HT14SW		4	NYLON SHOULDER WASHER - BB FRAME	HT14SW.ipt	-
5	H18-003	H18-003	1	GLCC NAME PLATE, AL., 3" x .75" w/ "3MLSE9495" ADHESIVE, LaFrance Corp.	H18-003.ipt	-
6	22N746	H04-001	16	1/4-20 X 1/2" LG. CARRIAGE BOLT - ILS	22N746.ipt	-
7	22N143813	H02-014	16	1/4-20 HEX NUT w/SERRATED FLANGED LOCK NUT - ILS	22N143813.ipt	-
8			1	12"W x 42"D BOTTOM FOR SIDE CAR - DETAIL & WELDMENT	I015738.iam	1
9			1	12"W x 42"D TOP FOR SIDE CAR	I015737.ipt	1
10	516FENDERWSR	H03-054	16	5/16" - 1-1/4" OD ZINC PLATED FENDER WASHER	516FENDERWSR.ipt	-
11	312-18x1.50hexbolt	H04-055	8	BOLT, 5/16"-18 X 1.5" HEX HEAD CAP SCREW, ZINC PLATED	312-18x1.50hexbolt.ipt	-
12	H02-052	H02-052	16	5/16-18 HEX FLANGE SERRATED LOCKNUT ZINC RoHS (5/16-18HXNUT)	H02-052.ipt	-
13			4	SIDE CAR CONNECTOR	I015736.iam	0
14			1	COPY OF THIS SHEET (I008457)		



- SPECIAL NOTES:**
- 1) INSTALL DOME LABELS ONTO TOP PANEL, FRONT AND BACK, BEFORE SHIPPING.
 - 2) BAG ALL EXTRA HARDWARE AND SHIP WITH PARTS.
 - 3) SHIP SHEETS 2 & 3 ALONG WITH KIT FOR ASSEMBLY INSTRUCTIONS.
 - 4) BAG ALL COMPONENTS AND SHIP AS KIT.
 - 5) REFER TO PURCHASE ORDER SPECIAL INSTRUCTIONS MAY APPLY.

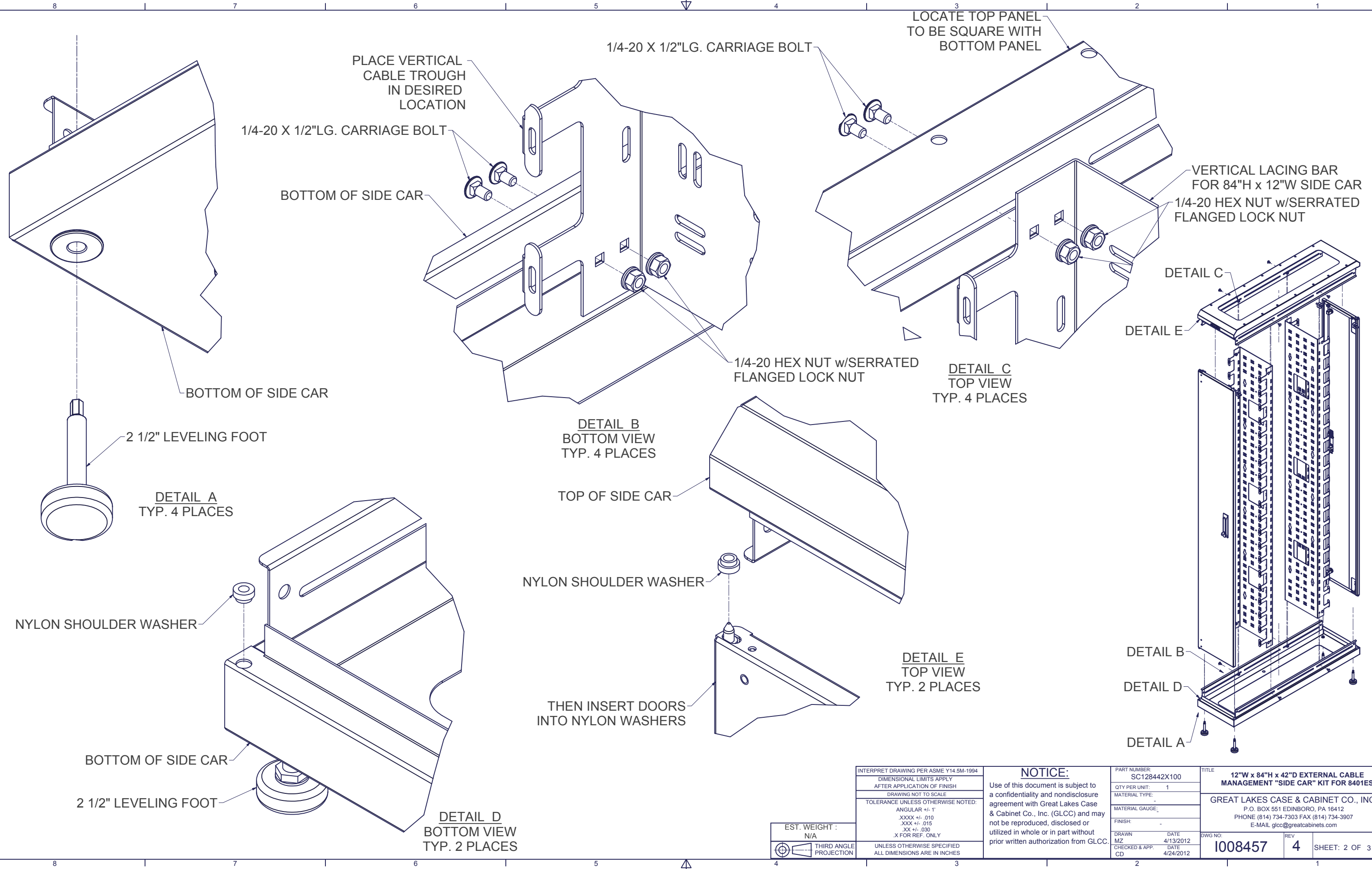
EST. WEIGHT :
118.97 lbmass

INTERPRET DRAWING PER ASME Y14.5M-1994
DIMENSIONAL LIMITS APPLY
AFTER APPLICATION OF FINISH
DRAWING NOT TO SCALE
TOLERANCE UNLESS OTHERWISE NOTED:
ANGULAR +/- .1"
.XXXX +/- .010
.XXX +/- .015
.XX +/- .030
.X FOR REF. ONLY
UNLESS OTHERWISE SPECIFIED
ALL DIMENSIONS ARE IN INCHES

NOTICE:
Use of this document is subject to a confidentiality and nondisclosure agreement with Great Lakes Case & Cabinet Co., Inc. (GLCC) and may not be reproduced, disclosed or utilized in whole or in part without prior written authorization from GLCC.

PART NUMBER:
SC128442X100
QTY PER UNIT: 1
MATERIAL TYPE:
MATERIAL GAUGE:
FINISH:
DRAWN DATE: 4/19/2012
MZ
CHECKED & APP. DATE: 4/18/2012
CD

TITLE
12"W x 84"H x 42"D EXTERNAL CABLE MANAGEMENT "SIDE CAR" KIT FOR 8401ES
GREAT LAKES CASE & CABINET CO., INC.
P.O. BOX 551 EDINBORO, PA 16412
PHONE (814) 734-7303 FAX (814) 734-3907
E-MAIL glcc@greatcabinets.com
DWG NO: **1008457**
REV: **4**
SHEET: 1 OF 3



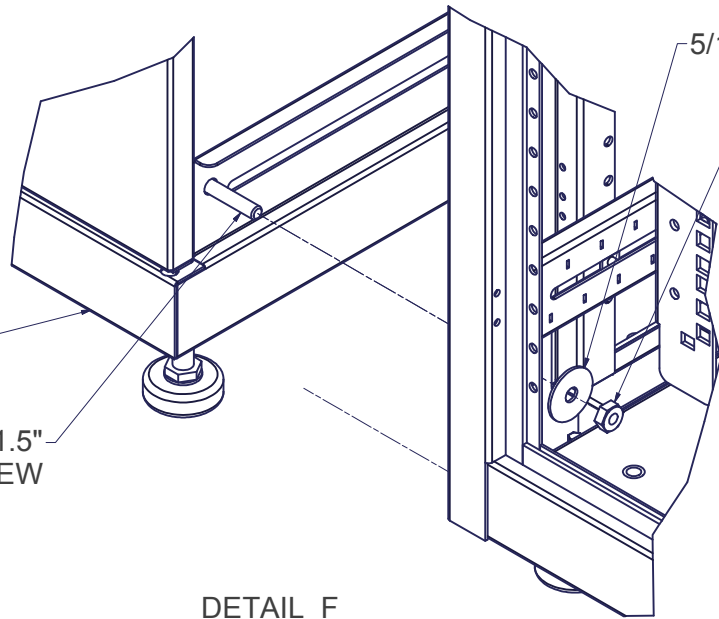
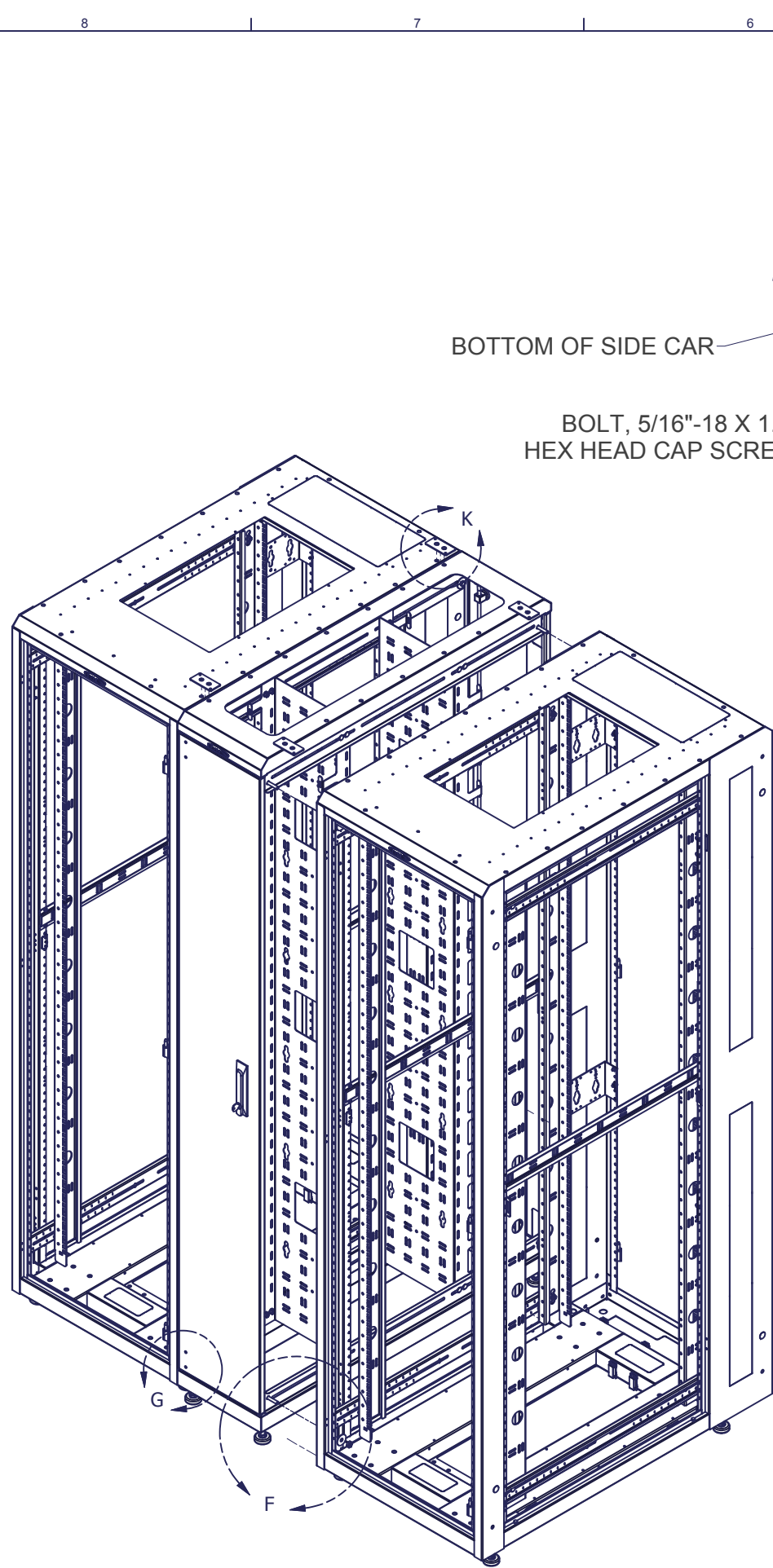
INTERPRET DRAWING PER ASME Y14.5M-1994	
DIMENSIONAL LIMITS APPLY AFTER APPLICATION OF FINISH	
DRAWING NOT TO SCALE	
TOLERANCE UNLESS OTHERWISE NOTED:	
ANGULAR +/- 1°	
.XXXX +/- .010	
.XXX +/- .015	
.XX +/- .030	
X FOR REF. ONLY	
UNLESS OTHERWISE SPECIFIED ALL DIMENSIONS ARE IN INCHES	

NOTICE:
 Use of this document is subject to a confidentiality and nondisclosure agreement with Great Lakes Case & Cabinet Co., Inc. (GLCC) and may not be reproduced, disclosed or utilized in whole or in part without prior written authorization from GLCC.

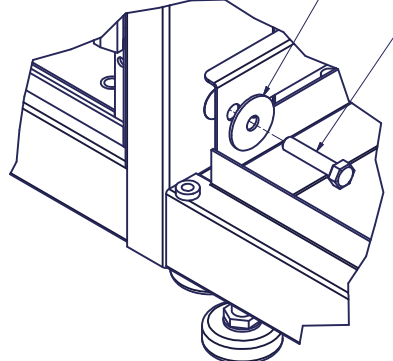
PART NUMBER:	SC128442X100
QTY PER UNIT:	1
MATERIAL TYPE:	
MATERIAL GAUGE:	
FINISH:	
DRAWN:	MZ
DATE:	4/13/2012
CHECKED & APP.:	CD
DATE:	4/24/2012

TITLE		12"W x 84"H x 42"D EXTERNAL CABLE MANAGEMENT "SIDE CAR" KIT FOR 8401ES	
GREAT LAKES CASE & CABINET CO., INC.			
P.O. BOX 551 EDINBORO, PA 16412			
PHONE (814) 734-7303 FAX (814) 734-3907			
E-MAIL glcc@greatcabinets.com			
DWG NO:	1008457	REV:	4
SHEET: 2 OF 3			

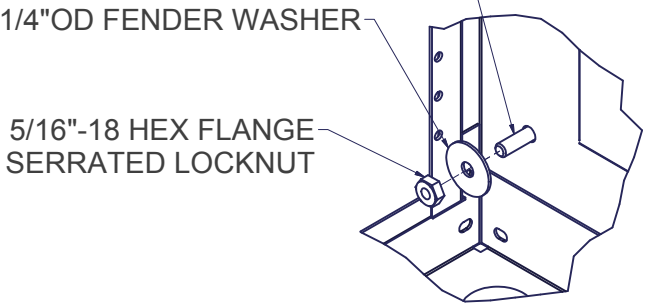
EST. WEIGHT:	N/A
THIRD ANGLE PROJECTION	



DETAIL F
TYP. 2 PLACES TOP & BOTTOM



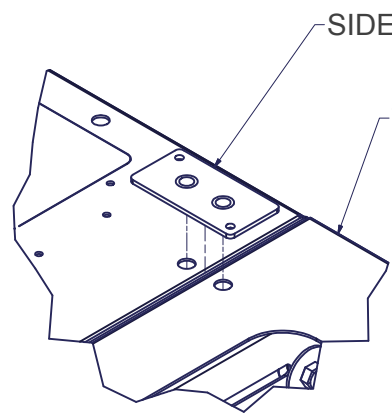
DETAIL G
TYP. 2 PLACES TOP & BOTTOM



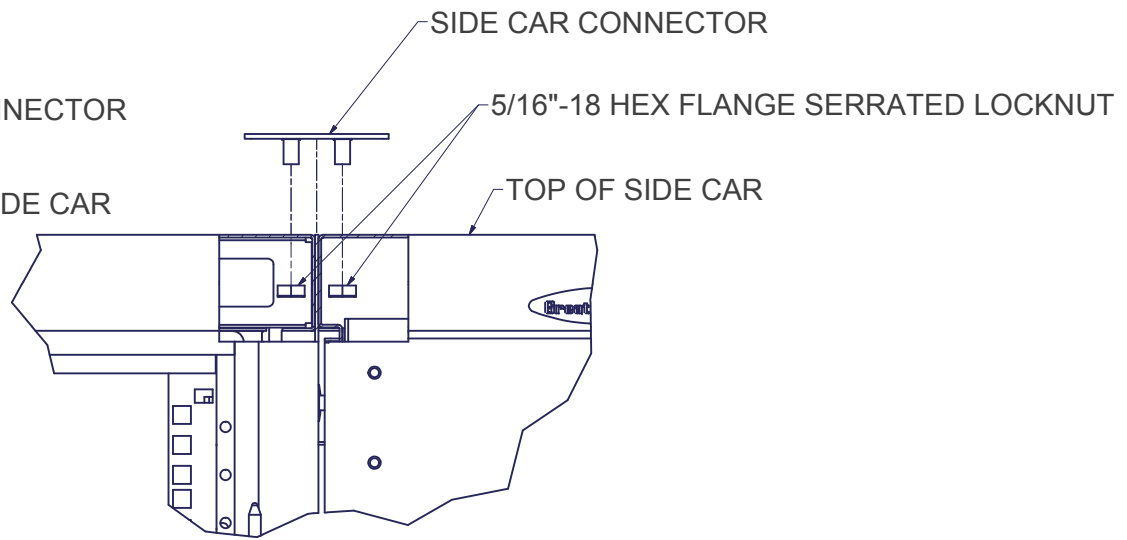
DETAIL H
TYP. 2 PLACES TOP & BOTTOM

ALIGN THE ENCLOSURE WITH THE SIDE CAR.
PLACE THE 5/16"-18 HEX HEAD BOLT
THROUGH THE ALIGNED HOLES
OF THE ECLOSURE AND THE SIDE CAR.

PLACE ANOTHER FENDER WASHER AND
THE 5/16"-18 HEX FLANGE SERRATED LOCKNUT
ONTO THE BOLT AND TIGHTEN.



DETAIL K
TYP. 2 PLACES TOP



DETAIL L
TYP. 2 PLACES TOP

PLACE THE SIDE CAR CONNECTOR INTO THE ALIGNING
HOLES ON THE TOP OF THE ECLOSURE AND THE SIDE CAR.
PLACE THE 5/16"-18 HEX FLANGE SERRATED LOCKNUT
ONTO THE SIDECAR AND TIGHTEN.

EST. WEIGHT :
N/A

INTERPRET DRAWING PER ASME Y14.5M-1994
DIMENSIONAL LIMITS APPLY
AFTER APPLICATION OF FINISH
DRAWING NOT TO SCALE
TOLERANCE UNLESS OTHERWISE NOTED:
ANGULAR +/- .1"
.XXXX +/- .010
.XXX +/- .015
.XX +/- .030
.X FOR REF. ONLY
UNLESS OTHERWISE SPECIFIED
ALL DIMENSIONS ARE IN INCHES

NOTICE:
Use of this document is subject to a confidentiality and nondisclosure agreement with Great Lakes Case & Cabinet Co., Inc. (GLCC) and may not be reproduced, disclosed or utilized in whole or in part without prior written authorization from GLCC.

PART NUMBER:
SC128442X100
QTY PER UNIT: 1
MATERIAL TYPE:
MATERIAL GAUGE:
FINISH:
DRAWN DATE: 6/18/2009
FED DATE: 6/18/2009
CHECKED & APP. DATE: 5/9/2012
WSS

TITLE
12"W x 84"H x 42"D EXTERNAL CABLE
MANAGEMENT "SIDE CAR" KIT FOR 8401ES
GREAT LAKES CASE & CABINET CO., INC.
P.O. BOX 551 EDINBORO, PA 16412
PHONE (814) 734-7303 FAX (814) 734-3907
E-MAIL glcc@greatcabinets.com
DWG NO. 1008457
REV 4
SHEET: 3 OF 3