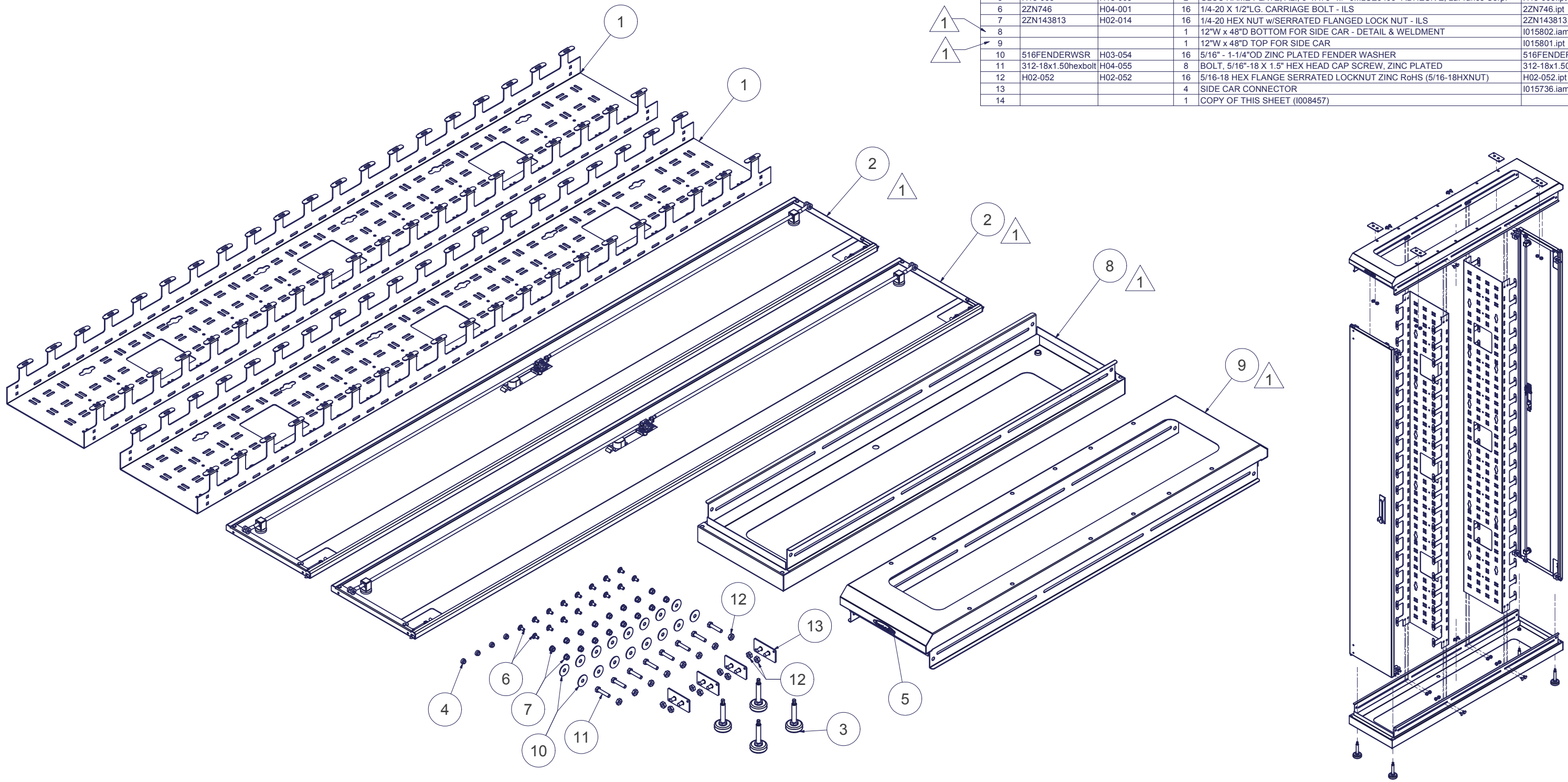


REVISION HISTORY			
REV	DESCRIPTION	DATE	APPROVED
0	ECO-03572	5/15/2012	MZ
1	ECO-03609	6/29/2012	CDM

Bill of Material						
ITEM	PART NUMBER	STOCK NUMBER	QTY	DESCRIPTION	FILE NAME	REV
1			2	VERTICAL LACING BAR FOR 84"H x 12"W SIDE CAR - DETAIL	I015739.ipt	0
2			2	LOCKING DOOR FOR 12"W x 84"H SIDE CAR - ASSEMBLY	I015740.iam	1
3	720901N	H11-001	4	2 1/2" LEVELING FOOT	720901N.ipt	-
4	HT14SW		4	NYLON SHOULDER WASHER - BB FRAME	HT14SW.ipt	-
5	H18-003	H18-003	2	GLCC NAME PLATE, AL., 3" x .75" w/ "3MLSE9495" ADHESIVE, LaFrance Corp.	H18-003.ipt	-
6	2ZN746	H04-001	16	1/4-20 X 1/2" LG. CARRIAGE BOLT - ILS	2ZN746.ipt	-
7	2ZN143813	H02-014	16	1/4-20 HEX NUT w/SERRATED FLANGED LOCK NUT - ILS	2ZN143813.ipt	-
8			1	12"W x 48"D BOTTOM FOR SIDE CAR - DETAIL & WELDMENT	I015802.iam	0
9			1	12"W x 48"D TOP FOR SIDE CAR	I015801.ipt	1
10	516FENDERWSR	H03-054	16	5/16" - 1-1/4" OD ZINC PLATED FENDER WASHER	516FENDERWSR.ipt	-
11	312-18x1.50hexbolt	H04-055	8	BOLT, 5/16"-18 X 1.5" HEX HEAD CAP SCREW, ZINC PLATED	312-18x1.50hexbolt.ipt	-
12	H02-052	H02-052	16	5/16-18 HEX FLANGE SERRATED LOCKNUT ZINC RoHS (5/16-18HXNUT)	H02-052.ipt	-
13			4	SIDE CAR CONNECTOR	I015736.iam	0
14			1	COPY OF THIS SHEET (I008457)		



SPECIAL NOTES:
 1) INSTALL DOME LABELS ONTO TOP PANEL, FRONT AND BACK, BEFORE SHIPPING.
 2) BAG ALL EXTRA HARDWARE AND SHIP WITH PARTS.
 3) SHIP SHEETS 2 & 3 ALONG WITH KIT FOR ASSEMBLY INSTRUCTIONS.
 4) BAG ALL COMPONENTS AND SHIP AS KIT.
 5) REFER TO PURCHASE ORDER SPECIAL INSTRUCTIONS MAY APPLY.

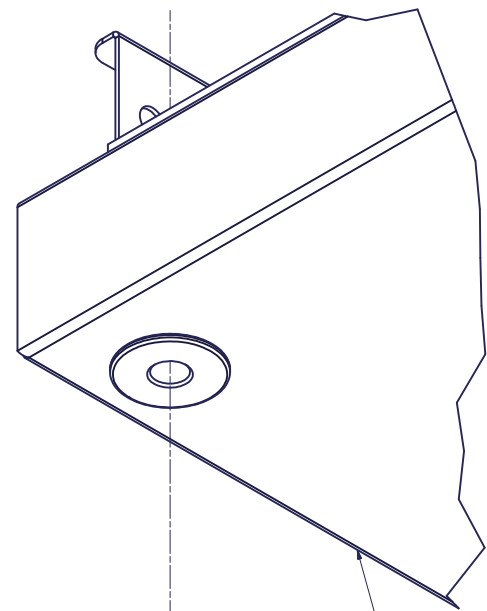
EST. WEIGHT :
121.68 lbmass

INTERPRET DRAWING PER ASME Y14.5M-1994
 DIMENSIONAL LIMITS APPLY
 AFTER APPLICATION OF FINISH
 DRAWING NOT TO SCALE
 TOLERANCE UNLESS OTHERWISE NOTED:
 ANGULAR +/- .1"
 .XXXX +/- .010
 .XXX +/- .015
 .XX +/- .030
 .X FOR REF. ONLY
 UNLESS OTHERWISE SPECIFIED
 ALL DIMENSIONS ARE IN INCHES

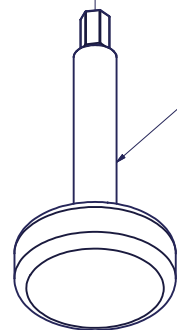
NOTICE:
 Use of this document is subject to a confidentiality and nondisclosure agreement with Great Lakes Case & Cabinet Co., Inc. (GLCC) and may not be reproduced, disclosed or utilized in whole or in part without prior written authorization from GLCC.

PART NUMBER:
SC128448X100
 QTY PER UNIT: 1
 MATERIAL TYPE:
 MATERIAL GAUGE:
 FINISH:

TITLE
12"W x 84"H x 48"D EXTERNAL CABLE MANAGEMENT "SIDE CAR" KIT FOR 8401ES
 GREAT LAKES CASE & CABINET CO., INC.
 P.O. BOX 551 EDINBORO, PA 16412
 PHONE (814) 734-7303 FAX (814) 734-3907
 E-MAIL glcc@greatcabinets.com
 DWG NO: I015800
 REV: 1
 SHEET: 1 OF 3



BOTTOM OF SIDE CAR



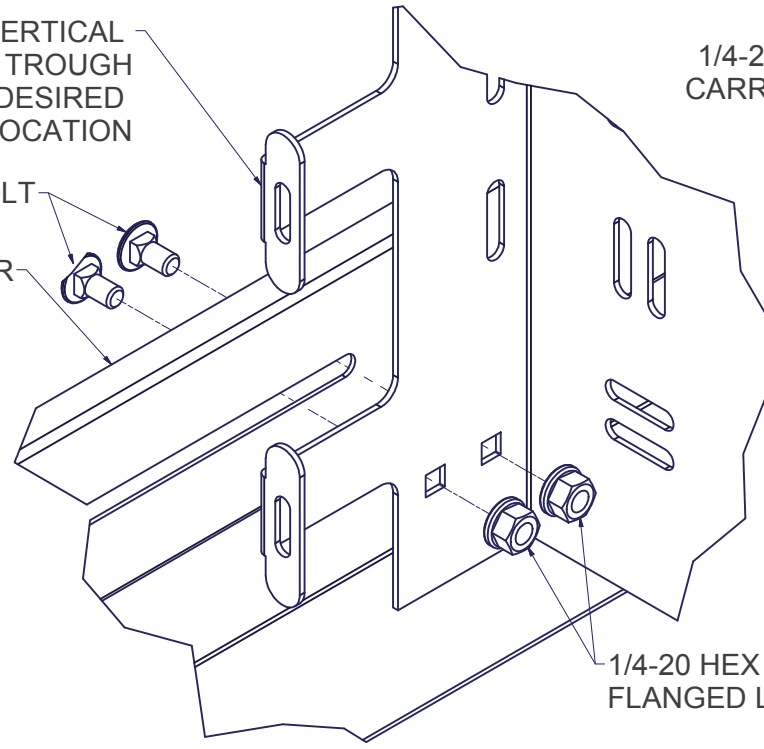
DETAIL A
TYP. 4 PLACES

2 1/2" LEVELING FOOT

1/4-20 X 1/2" LG. CARRIAGE BOLT

BOTTOM OF SIDE CAR

PLACE VERTICAL
CABLE TROUGH
IN DESIRED
LOCATION

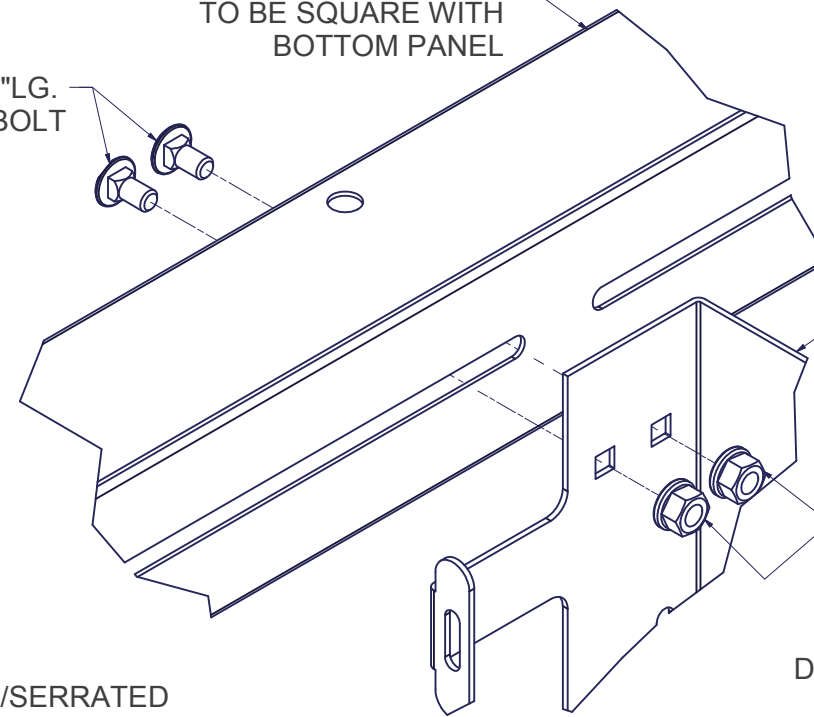


DETAIL B
BOTTOM VIEW
TYP. 4 PLACES

1/4-20 X 1/2" LG.
CARRIAGE BOLT

1/4-20 HEX NUT w/SERRATED
FLANGED LOCK NUT

LOCATE TOP PANEL
TO BE SQUARE WITH
BOTTOM PANEL



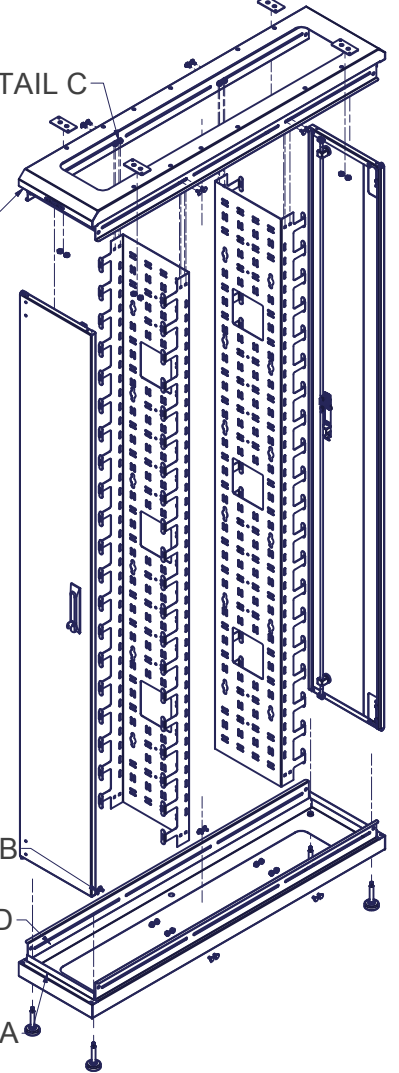
DETAIL C
TOP VIEW
TYP. 4 PLACES

VERTICAL LACING BAR
FOR 84"H x 12"W SIDE CAR

1/4-20 HEX NUT w/SERRATED
FLANGED LOCK NUT

DETAIL C

DETAIL E



DETAIL B

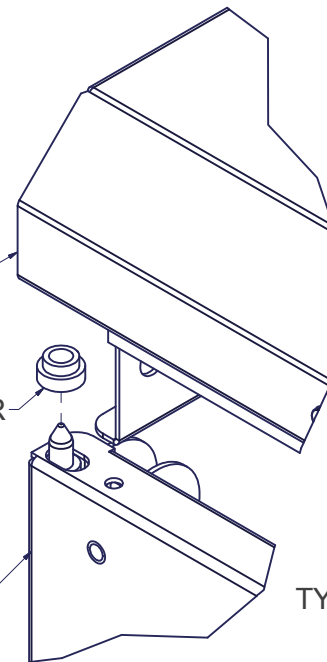
DETAIL D

DETAIL A

TOP OF SIDE CAR

NYLON SHOULDER WASHER

THEN INSERT DOORS
INTO NYLON WASHERS

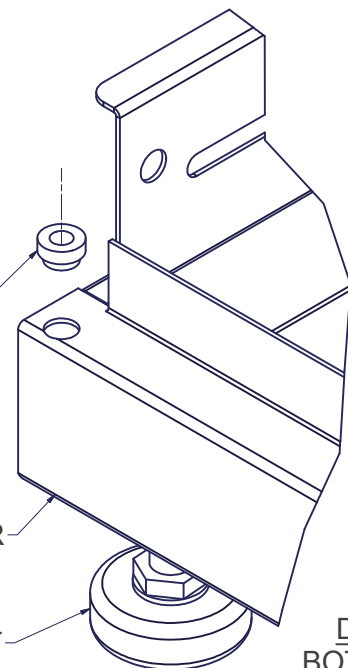


DETAIL E
TOP VIEW
TYP. 2 PLACES

NYLON SHOULDER WASHER

BOTTOM OF SIDE CAR

2 1/2" LEVELING FOOT



DETAIL D
BOTTOM VIEW
TYP. 2 PLACES

EST. WEIGHT :
121.68 lbmass



INTERPRET DRAWING PER ASME Y14.5M-1994
DIMENSIONAL LIMITS APPLY
AFTER APPLICATION OF FINISH
DRAWING NOT TO SCALE
TOLERANCE UNLESS OTHERWISE NOTED:
ANGULAR +/- .1"
.XXXX +/- .010
.XXX +/- .015
.XX +/- .030
.X FOR REF. ONLY

UNLESS OTHERWISE SPECIFIED
ALL DIMENSIONS ARE IN INCHES

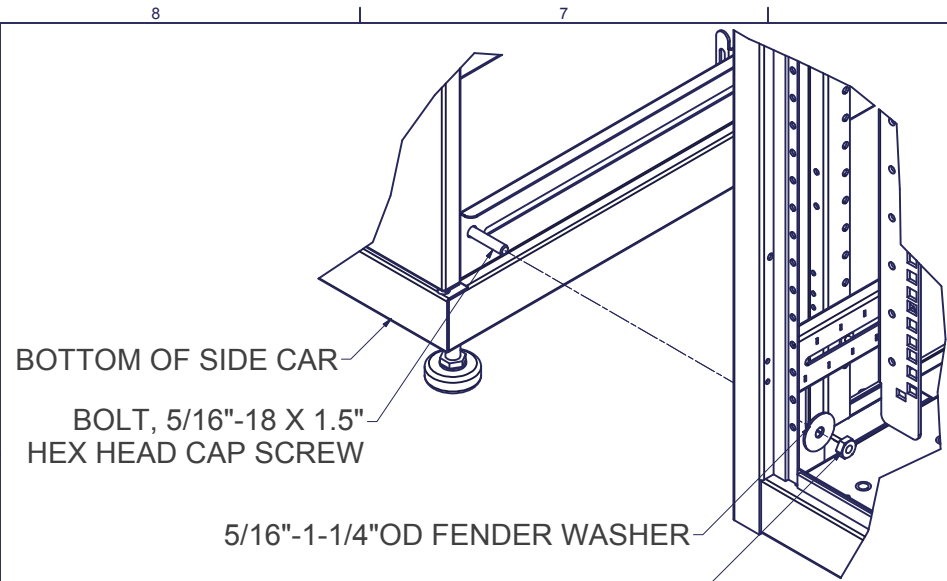
NOTICE:

Use of this document is subject to a confidentiality and nondisclosure agreement with Great Lakes Case & Cabinet Co., Inc. (GLCC) and may not be reproduced, disclosed or utilized in whole or in part without prior written authorization from GLCC.

PART NUMBER:
SC128448X100
QTY PER UNIT: 1
MATERIAL TYPE:
MATERIAL GAUGE:
FINISH:
DRAWN DATE: 5/15/2012
MZ DATE: 5/15/2012
CHECKED & APP. DATE: 5/15/2012
WSS

TITLE
12"W x 84"H x 48"D EXTERNAL CABLE
MANAGEMENT "SIDE CAR" KIT FOR 8401ES
GREAT LAKES CASE & CABINET CO., INC.
P.O. BOX 551 EDINBORO, PA 16412
PHONE (814) 734-7303 FAX (814) 734-3907
E-MAIL glcc@greatcabinets.com

DWG NO: 1015800
REV: 1
SHEET: 2 OF 3



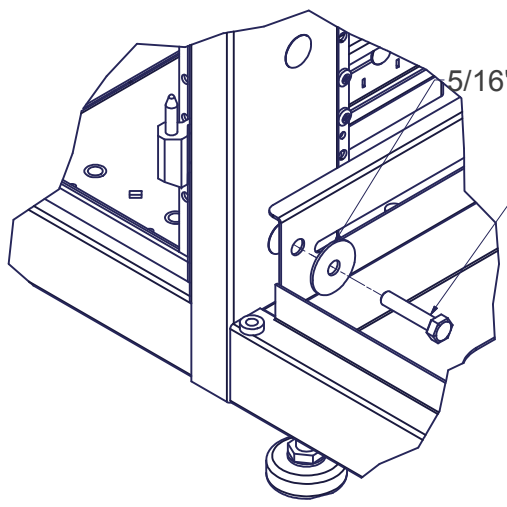
BOTTOM OF SIDE CAR

BOLT, 5/16"-18 X 1.5"
HEX HEAD CAP SCREW

5/16"-1-1/4"OD FENDER WASHER

5/16"-18 HEX FLANGE
SERRATED LOCKNUT

DETAIL F
TYP. 2 PLACES TOP & BOTTOM



5/16"-1-1/4"OD FENDER WASHER

BOLT, 5/16"-18 X 1.5"
HEX HEAD CAP SCREW

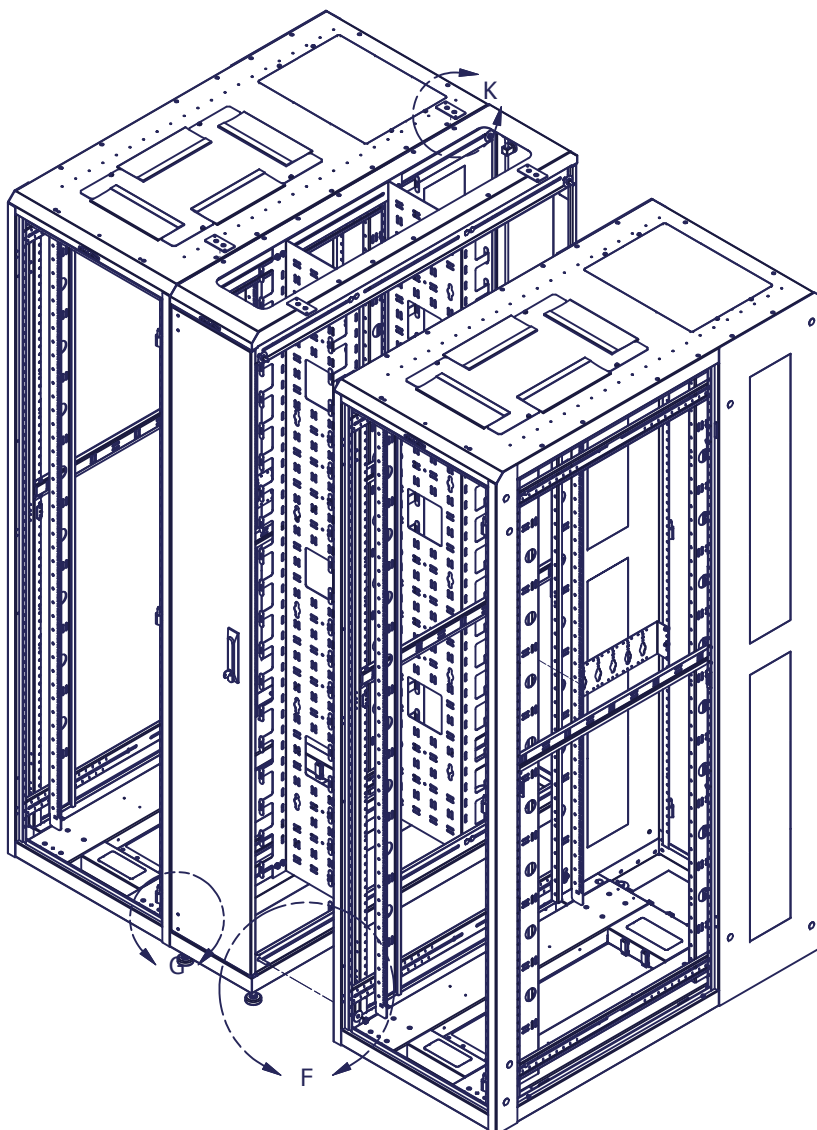
DETAIL G
TYP. 2 PLACES TOP & BOTTOM

BOLT, 5/16"-18 X 1.5"
HEX HEAD CAP SCREW

5/16"-1-1/4"OD FENDER WASHER

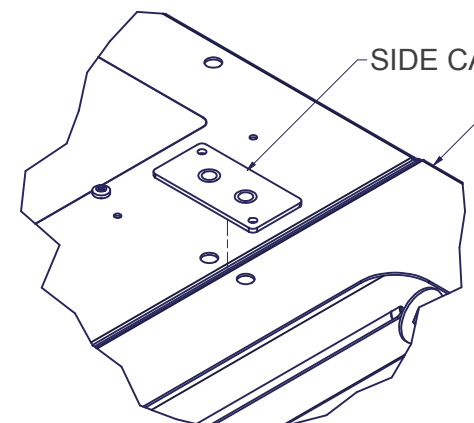
5/16"-18 HEX FLANGE
SERRATED LOCKNUT

DETAIL H
TYP. 2 PLACES TOP & BOTTOM



ALIGN THE ENCLOSURE WITH THE SIDE CAR.
PLACE THE 5/16"-18 HEX HEAD BOLT
THROUGH THE ALIGNED HOLES
OF THE ECLOSURE AND THE SIDE CAR.

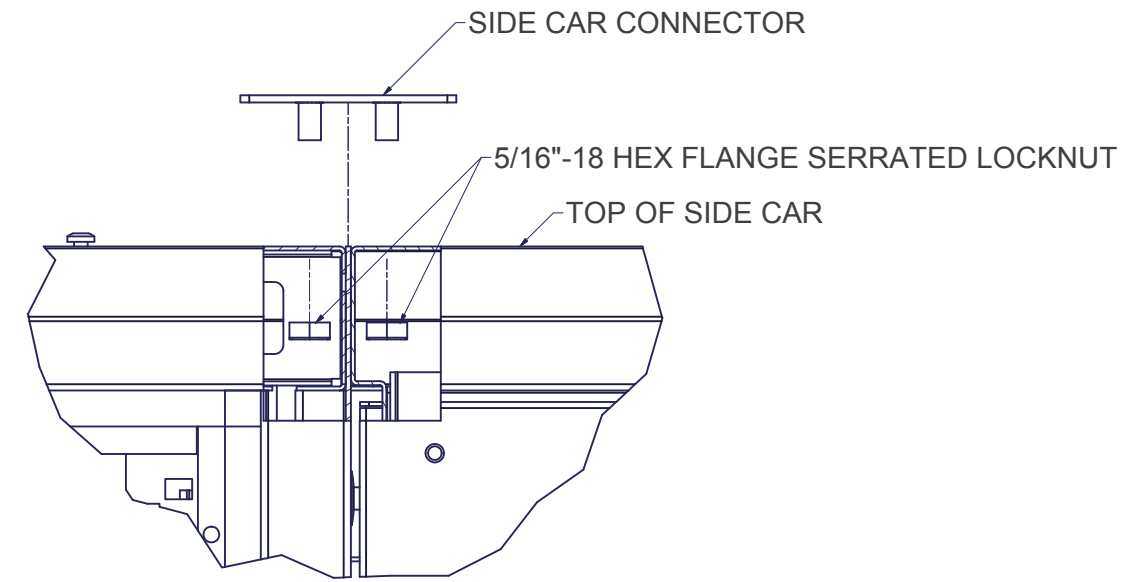
PLACE ANOTHER FENDER WASHER AND
THE 5/16"-18 HEX FLANGE SERRATED LOCKNUT
ONTO THE BOLT AND TIGHTEN.



SIDE CAR CONNECTOR

TOP OF SIDE CAR

DETAIL K
TYP. 2 PLACES TOP



SIDE CAR CONNECTOR

5/16"-18 HEX FLANGE SERRATED LOCKNUT

TOP OF SIDE CAR

DETAIL L
TYP. 2 PLACES TOP

PLACE THE SIDE CAR CONNECTOR INTO THE ALIGNING
HOLES ON THE TOP OF THE ECLOSURE AND THE SIDE CAR.
PLACE THE 5/16"-18 HEX FLANGE SERRATED LOCKNUT
ONTO THE SIDECAR AND TIGHTEN.

EST. WEIGHT :
N/A



INTERPRET DRAWING PER ASME Y14.5M-1994
DIMENSIONAL LIMITS APPLY
AFTER APPLICATION OF FINISH
DRAWING NOT TO SCALE
TOLERANCE UNLESS OTHERWISE NOTED:
ANGULAR +/- .1"
.XXXX +/- .010
.XXX +/- .015
.XX +/- .030
.X FOR REF. ONLY
UNLESS OTHERWISE SPECIFIED
ALL DIMENSIONS ARE IN INCHES

NOTICE:
Use of this document is subject to
a confidentiality and nondisclosure
agreement with Great Lakes Case
& Cabinet Co., Inc. (GLCC) and may
not be reproduced, disclosed or
utilized in whole or in part without
prior written authorization from GLCC.

PART NUMBER:
SC128448X100
QTY PER UNIT: 1
MATERIAL TYPE:
MATERIAL GAUGE:
FINISH:
DRAWN DATE: 5/14/2012
MZ
CHECKED & APP. DATE: 5/15/2012
WSS

TITLE
12"W x 84"H x 48"D EXTERNAL CABLE
MANAGEMENT "SIDE CAR" KIT FOR 8401ES
GREAT LAKES CASE & CABINET CO., INC.
P.O. BOX 551 EDINBORO, PA 16412
PHONE (814) 734-7303 FAX (814) 734-3907
E-MAIL glcc@greatcabinets.com
DWG NO: 1015800
REV: 0
SHEET: 3 OF 3