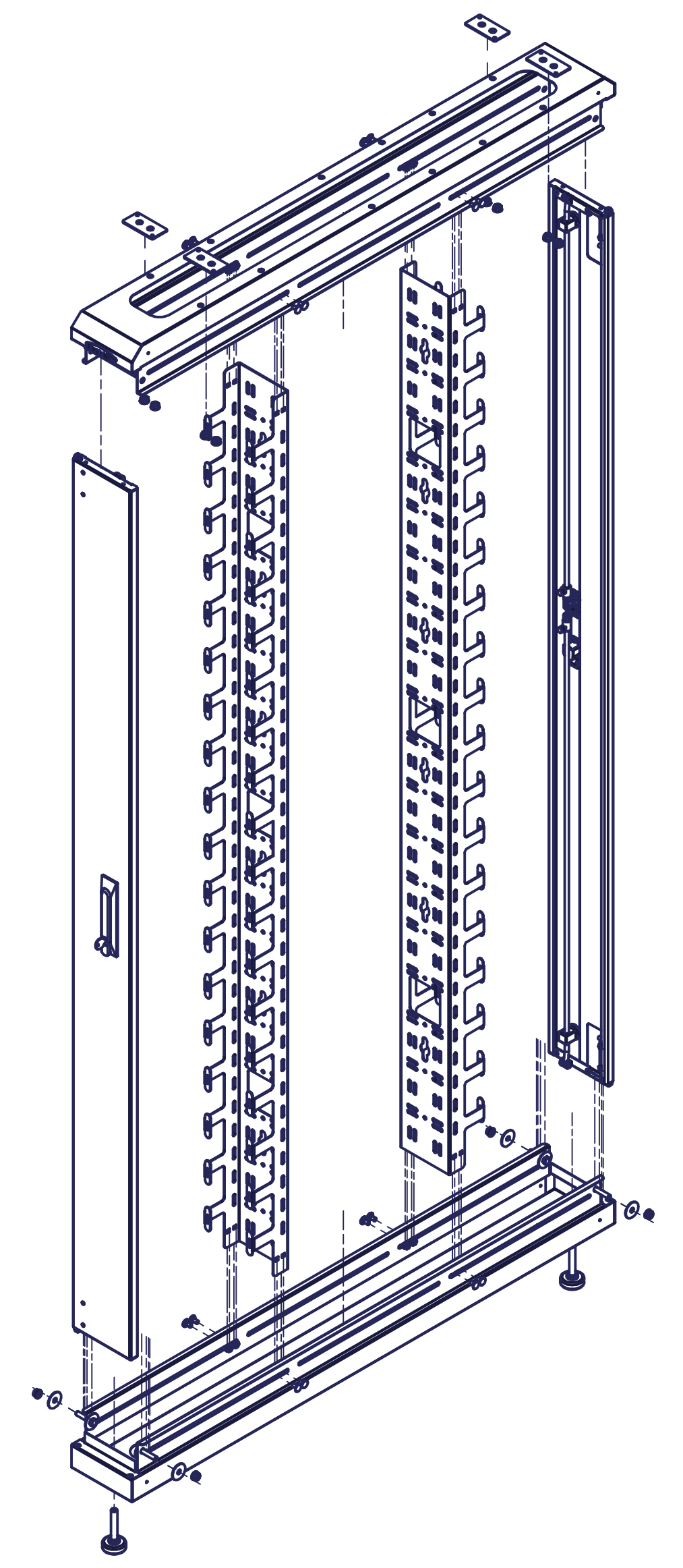
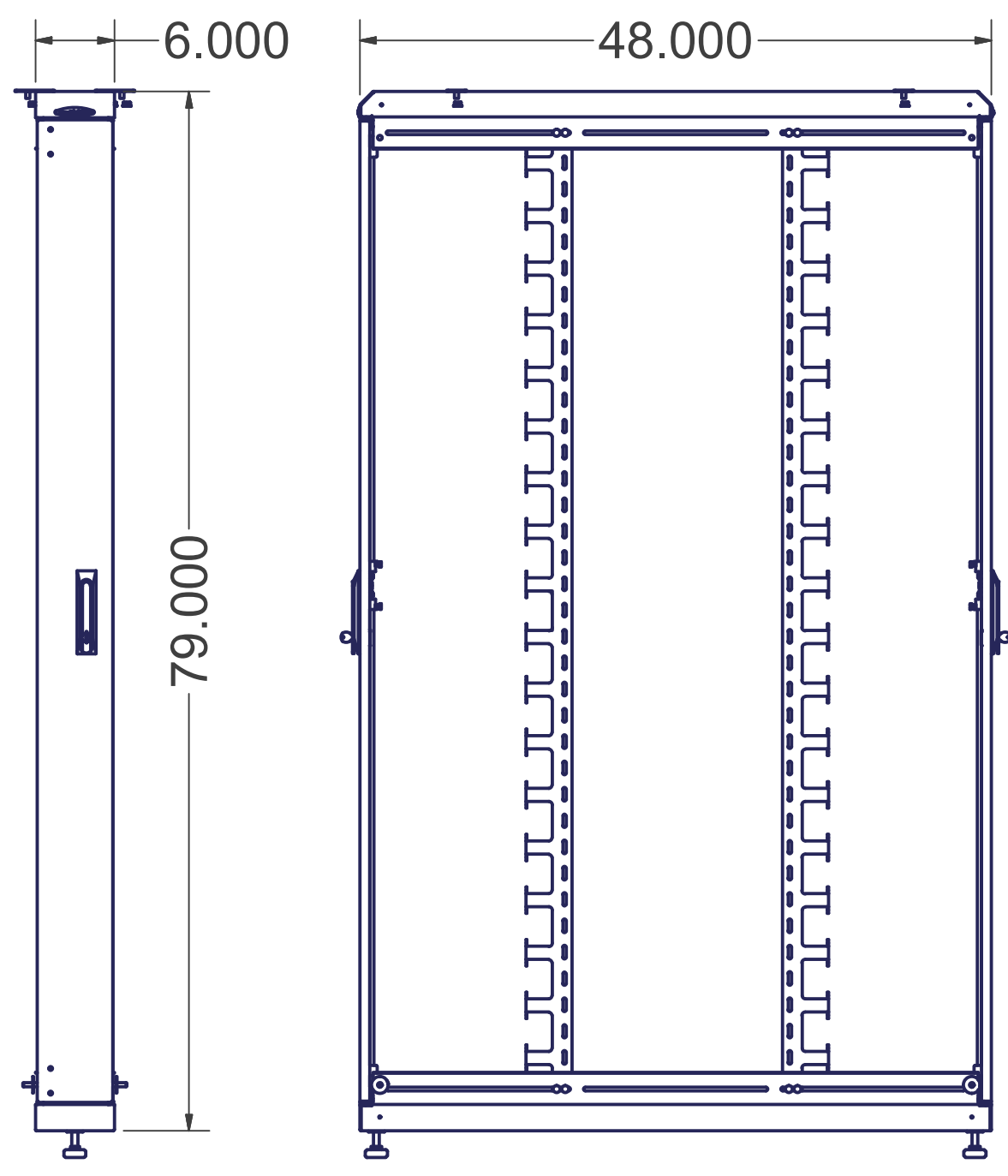
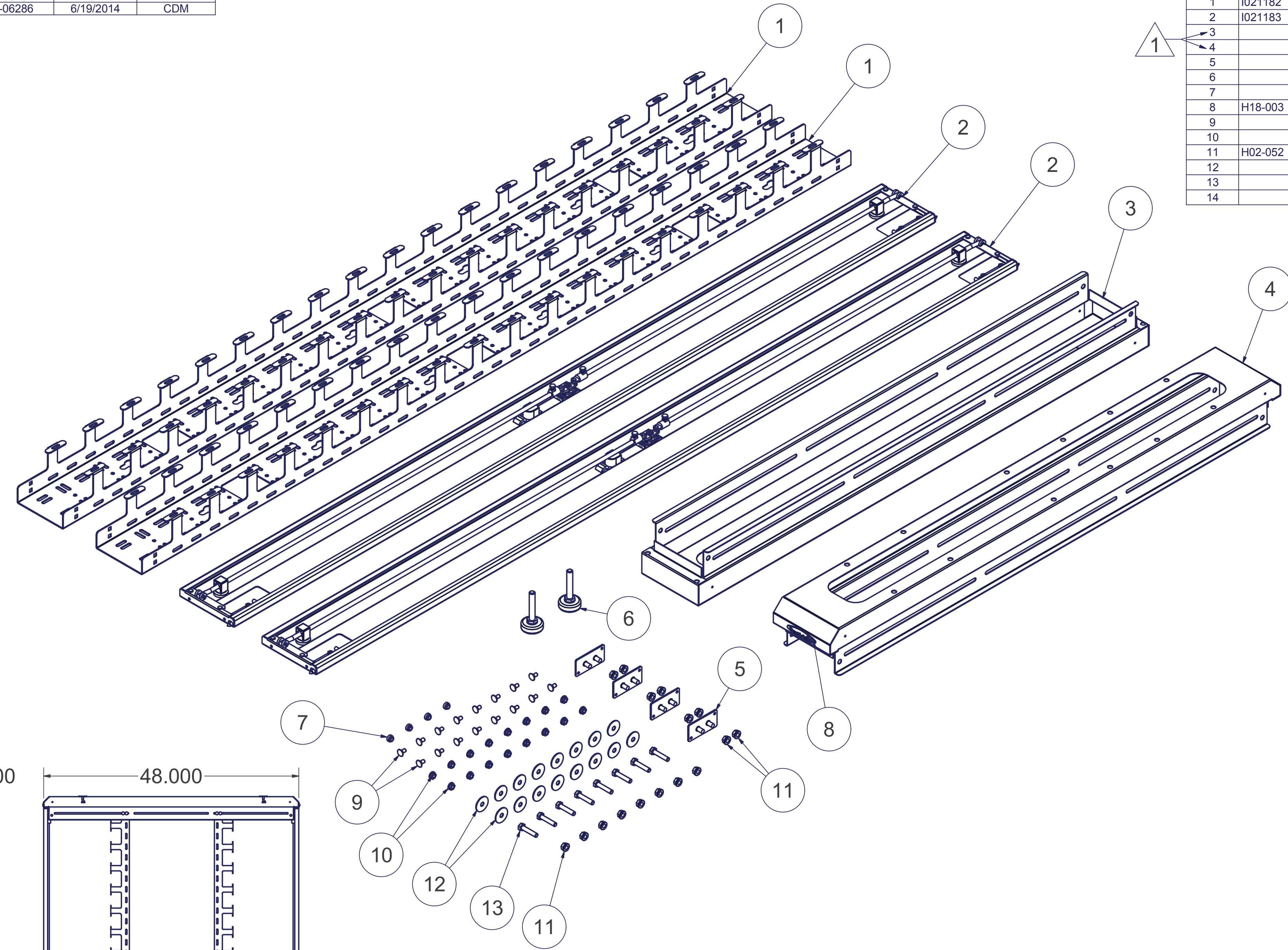


REVISION HISTORY			
REV	DESCRIPTION	DATE	APPROVED
0	ECO-06204	4/9/14	TAD
1	ECO-06286	6/19/2014	CDM

Bill of Material						
ITEM	PART NUMBER	STOCK NUMBER	QTY	DESCRIPTION	FILE NAME	REV
1	I021182		2	4.906"W x 75.434"H VERTICAL RAIL 6"W SIDE CAR	I021182.ipt	0
2	I021183		2	DOOR FOR 79"H X 6"W SIDE CAR - ASSEMBLY	I021183.iam	1
3			1	BOTTOM FOR 6"W x 48"D SIDE CAR - WELDMENT	I015813.iam	2
4			1	TOP FOR 6"W x 48"D SIDE CAR - WELDMENT	I015810.iam	2
5			4	SIDE CAR CONNECTOR	I015736.iam	0
6		H11-001	2	1/2" LEVELING FOOT	720901N.ipt	-
7		H29-010	4	NYLON SHOULDER WASHER - BB FRAME	HT14SW.ipt	-
8	H18-003	H18-003	2	GLCC NAME PLATE, AL., 3" x .75" w/ "3MLSE9495" ADHESIVE, LaFrance Corp.	H18-003.ipt	-
9		H04-001	16	1/4-20 X 1/2" LG. CARRIAGE BOLT - ILS	2ZN746.ipt	-
10		H02-014	16	1/4-20 HEX NUT w/SERRATED FLANGED LOCK NUT - ILS	2ZN143813.ipt	-
11	H02-052	H02-052	12	5/16-18 HEX NUT w/SERRATED FLANGED LOCK NUT - ILS	H02-052.ipt	-
12		H03-054	8	5/16" - 1-1/4" OD ZINC PLATED FENDER WASHER	516FENDERWSR.ipt	-
13		H04-055	4	BOLT, 5/16"-18 X 1.5" HEX HEAD CAP SCREW, ZINC PLATED	312-18x1.50hexbolt.ipt	-
14			1	COPY OF THIS DRAWING (I021192)		-



SPECIAL NOTES:

- 1) INSTALL DOME LABEL ONTO TOP PANEL, FRONT AND REAR, BEFORE SHIPPING.
- 2) BAG ALL EXTRA HARDWARE AND SHIP WITH PARTS.
- 3) BAG ALL COMPONENTS AND SHIP AS KIT.
- 4) REFER TO PURCHASE ORDER SPECIAL INSTRUCTIONS MAY APPLY.

EST. WEIGHT :
82.25 lbmass

INTERPRET DRAWING PER ASME Y14.5M-1994
DIMENSIONAL LIMITS APPLY
AFTER APPLICATION OF FINISH
DRAWING NOT TO SCALE
TOLERANCE UNLESS OTHERWISE NOTED:
ANGULAR +/- .1°
.XXXX +/- .010
.XXX +/- .015
.XX +/- .030
.X FOR REF. ONLY
UNLESS OTHERWISE SPECIFIED
ALL DIMENSIONS ARE IN INCHES

NOTICE:
Use of this document is subject to a confidentiality and nondisclosure agreement with Great Lakes Case & Cabinet Co., Inc. (GLCC) and may not be reproduced, disclosed or utilized in whole or in part without prior written authorization from GLCC.

PART NUMBER:
SC67948X100
QTY PER UNIT: 1
MATERIAL TYPE:
MATERIAL GAUGE:
FINISH:
DRAWN DATE: 4/10/2014
TAD DATE:
CHECKED & APP. DATE:

TITLE
6"W x 79"H x 48"D EXTERNAL CABLE MANAGEMENT SIDE CAR FOR 7901ES
GREAT LAKES CASE & CABINET CO., INC.
P.O. BOX 551 EDINBORO, PA 16412
PHONE (814) 734-7303 FAX (814) 734-3907
E-MAIL glcc@greatcabinets.com
DWG NO: **1021192**
REV: **1**
SHEET: 1 OF 3