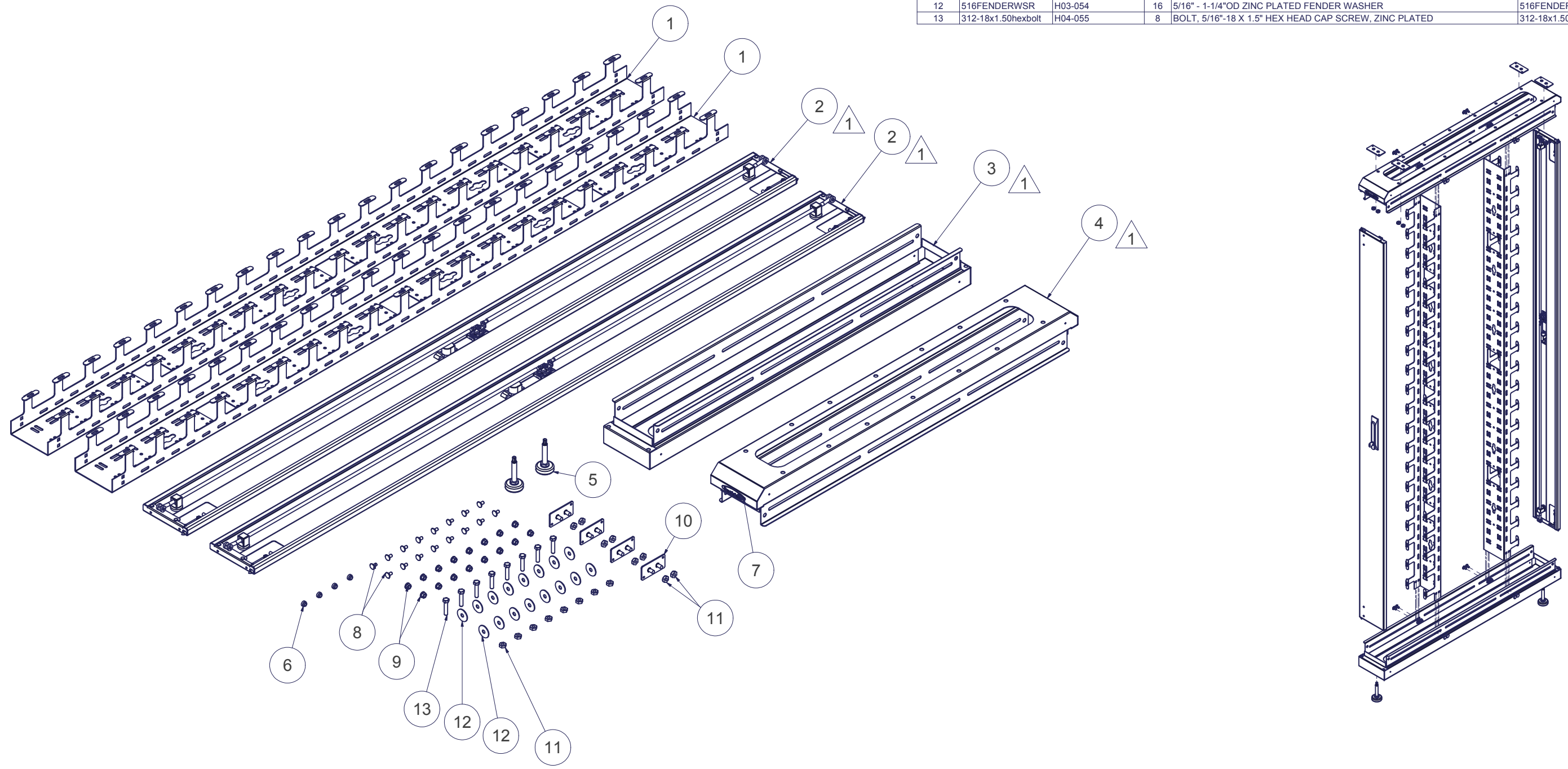


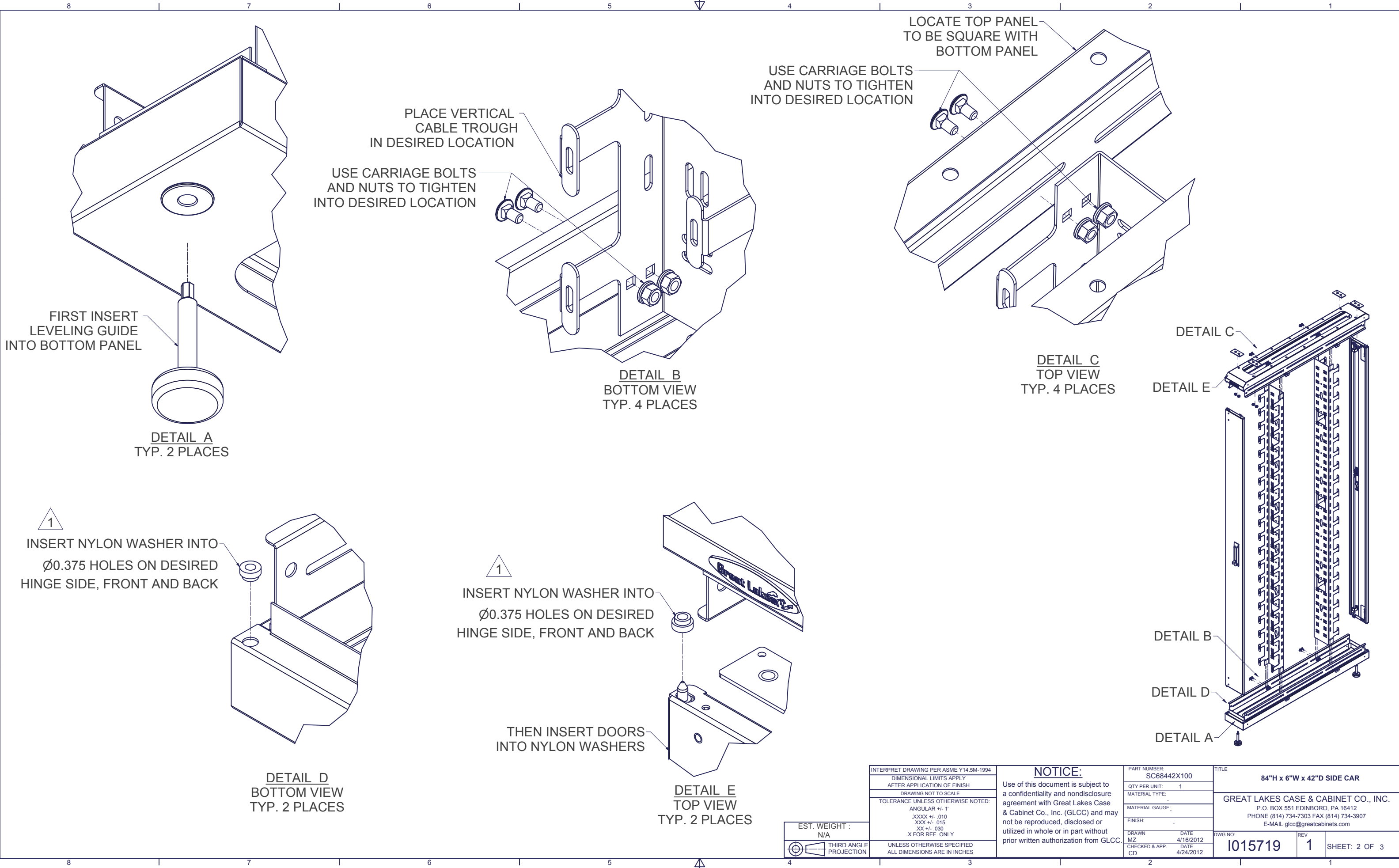
REVISION HISTORY			
REV	DESCRIPTION	DATE	APPROVED
0	ECO-03546	4/18/2012	MZ
1	ECO-03609	6/29/2012	CDM

Bill of Material						
ITEM	PART NUMBER	STOCK NUMBER	QTY	DESCRIPTION	FILE NAME	REV
1			2	4.906"W x 80.434"H VERTICAL RAIL 6"W SIDE CAR	I015730.ipt	0
2			2	DOOR FOR 6"W SIDE CAR - ASSEMBLY	I015726.iam	1
3			1	BOTTOM FOR 6"W x 42"D SIDE CAR - WELDMNT	I015723.iam	1
4			1	TOP FOR 6"W x 42"D SIDE CAR - WELDMNT	I015720.iam	1
5	720901N	H11-001	2	2 1/2" LEVELING FOOT	720901N.ipt	-
6	HT1/4SW		4	NYLON SHOULDER WASHER - BB FRAME	HT14SW.ipt	-
7	H18-003	H18-003	2	GLCC NAME PLATE, AL., 3" x .75" w/ "3MLSE9495" ADHESIVE, LaFrance Corp.	H18-003.ipt	-
8	2ZN746	H04-001	16	1/4-20 X 1/2" LG. CARRIAGE BOLT - ILS	2ZN746.ipt	-
9	2ZN143813	H02-014	16	1/4-20 HEX NUT w/SERRATED FLANGED LOCK NUT - ILS	2ZN143813.ipt	-
10			4	SIDE CAR CONNECTOR	I015736.iam	0
11	H02-052	H02-052	16	5/16-18 HEX FLANGE SERRATED LOCKNUT ZINC RoHS (5/16-18HXNUT)	H02-052.ipt	-
12	516FENDERWSR	H03-054	16	5/16" - 1-1/4" OD ZINC PLATED FENDER WASHER	516FENDERWSR.ipt	-
13	312-18x1.50hexbolt	H04-055	8	BOLT, 5/16"-18 X 1.5" HEX HEAD CAP SCREW, ZINC PLATED	312-18x1.50hexbolt.ipt	-



SPECIAL NOTES:
 1) INSTALL DOME LABEL ONTO TOP PANEL, FRONT AND REAR, BEFORE SHIPPING.
 2) BAG ALL EXTRA HARDWARE AND SHIP WITH PARTS.
 3) BAG ALL COMPONENTS AND SHIP AS KIT.
 4) REFER TO PURCHASE ORDER SPECIAL INSTRUCTIONS MAY APPLY.

INTERPRET DRAWING PER ASME Y14.5M-1994 DIMENSIONAL LIMITS APPLY AFTER APPLICATION OF FINISH DRAWING NOT TO SCALE TOLERANCE UNLESS OTHERWISE NOTED: ANGULAR +/- .1" .XXXX +/- .010 .XXX +/- .015 .XX +/- .030 .X FOR REF. ONLY	NOTICE: Use of this document is subject to a confidentiality and nondisclosure agreement with Great Lakes Case & Cabinet Co., Inc. (GLCC) and may not be reproduced, disclosed or utilized in whole or in part without prior written authorization from GLCC.	PART NUMBER: SC68442X100	TITLE: 84"H x 6"W x 42"D SIDE CAR
		QTY PER UNIT: 1	GREAT LAKES CASE & CABINET CO., INC. P.O. BOX 551 EDINBORO, PA 16412 PHONE (814) 734-7303 FAX (814) 734-3907 E-MAIL glcc@greatcabinets.com
EST. WEIGHT: N/A	THIRD ANGLE PROJECTION	DRAWN: MZ CHECKED & APP. CD DATE: 4/16/2012 DATE: 4/18/2012	DWG NO.: I015719 REV: 1 SHEET: 1 OF 3



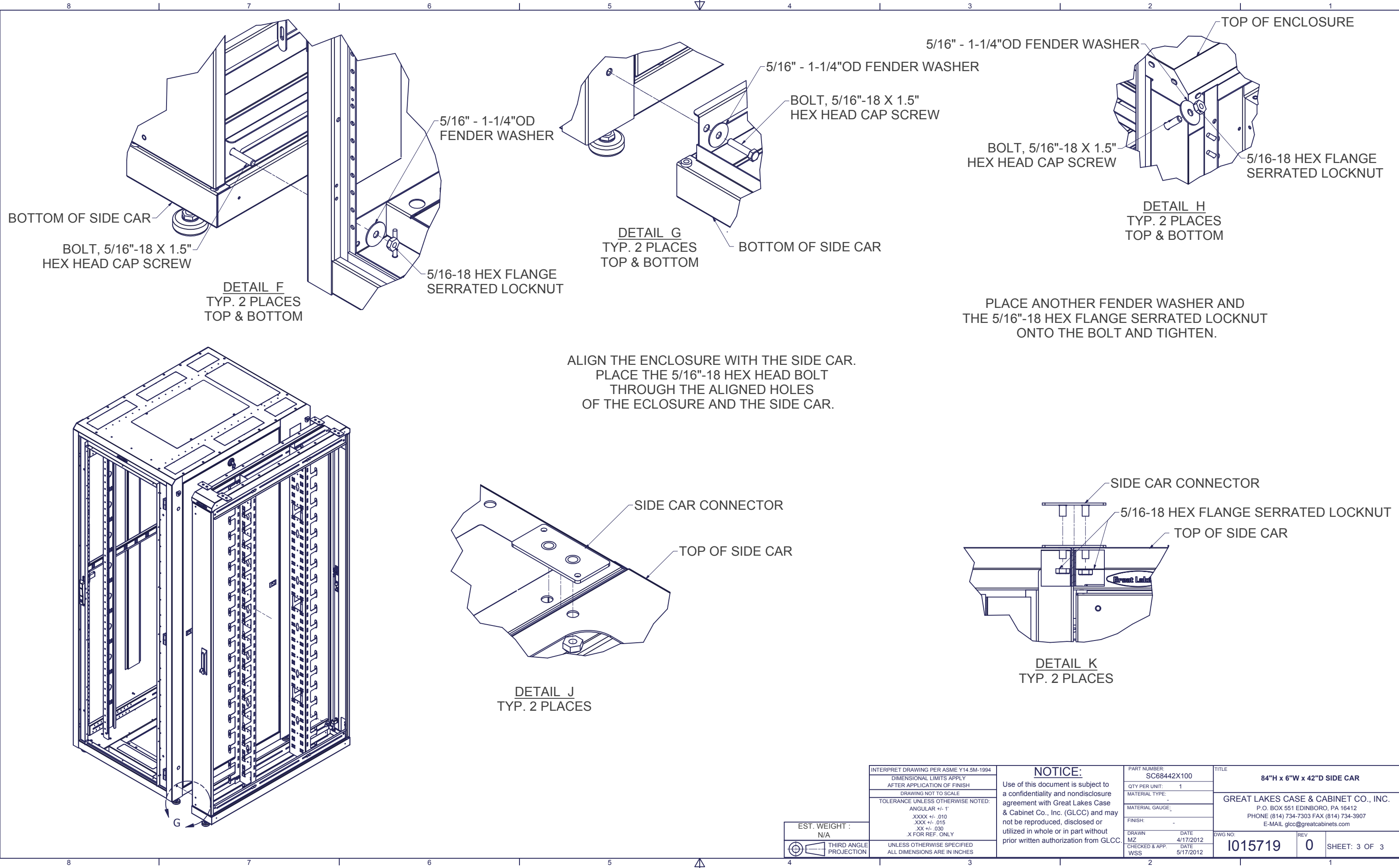
INTERPRET DRAWING PER ASME Y14.5M-1994	
DIMENSIONAL LIMITS APPLY AFTER APPLICATION OF FINISH	
DRAWING NOT TO SCALE	
TOLERANCE UNLESS OTHERWISE NOTED:	
ANGULAR +/- 1°	
.XXXX +/- .010	
.XXX +/- .015	
.XX +/- .030	
.X FOR REF. ONLY	
UNLESS OTHERWISE SPECIFIED ALL DIMENSIONS ARE IN INCHES	

NOTICE:
 Use of this document is subject to a confidentiality and nondisclosure agreement with Great Lakes Case & Cabinet Co., Inc. (GLCC) and may not be reproduced, disclosed or utilized in whole or in part without prior written authorization from GLCC.

PART NUMBER:	SC68442X100
QTY PER UNIT:	1
MATERIAL TYPE:	
MATERIAL GAUGE:	
FINISH:	
DRAWN:	MZ
DATE:	4/16/2012
CHECKED & APP.:	CD
DATE:	4/24/2012

TITLE		84"H x 6"W x 42"D SIDE CAR	
GREAT LAKES CASE & CABINET CO., INC.		P.O. BOX 551 EDINBORO, PA 16412	
PHONE (814) 734-7303 FAX (814) 734-3907		E-MAIL glcc@greatcabinets.com	
DWG NO:	1015719	REV	1
SHEET: 2 OF 3			

EST. WEIGHT:	N/A
THIRD ANGLE PROJECTION	



BOTTOM OF SIDE CAR
BOLT, 5/16"-18 X 1.5"
HEX HEAD CAP SCREW

DETAIL F
TYP. 2 PLACES
TOP & BOTTOM

5/16" - 1-1/4"OD
FENDER WASHER

5/16-18 HEX FLANGE
SERRATED LOCKNUT

DETAIL G
TYP. 2 PLACES
TOP & BOTTOM

BOTTOM OF SIDE CAR

5/16" - 1-1/4"OD FENDER WASHER

BOLT, 5/16"-18 X 1.5"
HEX HEAD CAP SCREW

5/16" - 1-1/4"OD FENDER WASHER

BOLT, 5/16"-18 X 1.5"
HEX HEAD CAP SCREW

DETAIL H
TYP. 2 PLACES
TOP & BOTTOM

5/16-18 HEX FLANGE
SERRATED LOCKNUT

TOP OF ENCLOSURE

ALIGN THE ENCLOSURE WITH THE SIDE CAR.
PLACE THE 5/16"-18 HEX HEAD BOLT
THROUGH THE ALIGNED HOLES
OF THE ENCLOSURE AND THE SIDE CAR.

PLACE ANOTHER FENDER WASHER AND
THE 5/16"-18 HEX FLANGE SERRATED LOCKNUT
ONTO THE BOLT AND TIGHTEN.

SIDE CAR CONNECTOR

TOP OF SIDE CAR

DETAIL J
TYP. 2 PLACES

SIDE CAR CONNECTOR

5/16-18 HEX FLANGE SERRATED LOCKNUT

TOP OF SIDE CAR

DETAIL K
TYP. 2 PLACES

INTERPRET DRAWING PER ASME Y14.5M-1994	
DIMENSIONAL LIMITS APPLY AFTER APPLICATION OF FINISH	
DRAWING NOT TO SCALE	
TOLERANCE UNLESS OTHERWISE NOTED:	
ANGULAR +/- .1"	
.XXXX +/- .010	
.XXX +/- .015	
.XX +/- .030	
.X FOR REF. ONLY	

NOTICE:
Use of this document is subject to
a confidentiality and nondisclosure
agreement with Great Lakes Case
& Cabinet Co., Inc. (GLCC) and may
not be reproduced, disclosed or
utilized in whole or in part without
prior written authorization from GLCC.

PART NUMBER:	SC68442X100
QTY PER UNIT:	1
MATERIAL TYPE:	
MATERIAL GAUGE:	
FINISH:	
DRAWN	DATE
MZ	4/17/2012
CHECKED & APP.	DATE
WSS	5/17/2012

TITLE	
84"H x 6"W x 42"D SIDE CAR	
GREAT LAKES CASE & CABINET CO., INC.	
P.O. BOX 551 EDINBORO, PA 16412	
PHONE (814) 734-7303 FAX (814) 734-3907	
E-MAIL glcc@greatcabinets.com	
DWG NO.	REV
1015719	0

EST. WEIGHT :	N/A
THIRD ANGLE PROJECTION	
UNLESS OTHERWISE SPECIFIED ALL DIMENSIONS ARE IN INCHES	