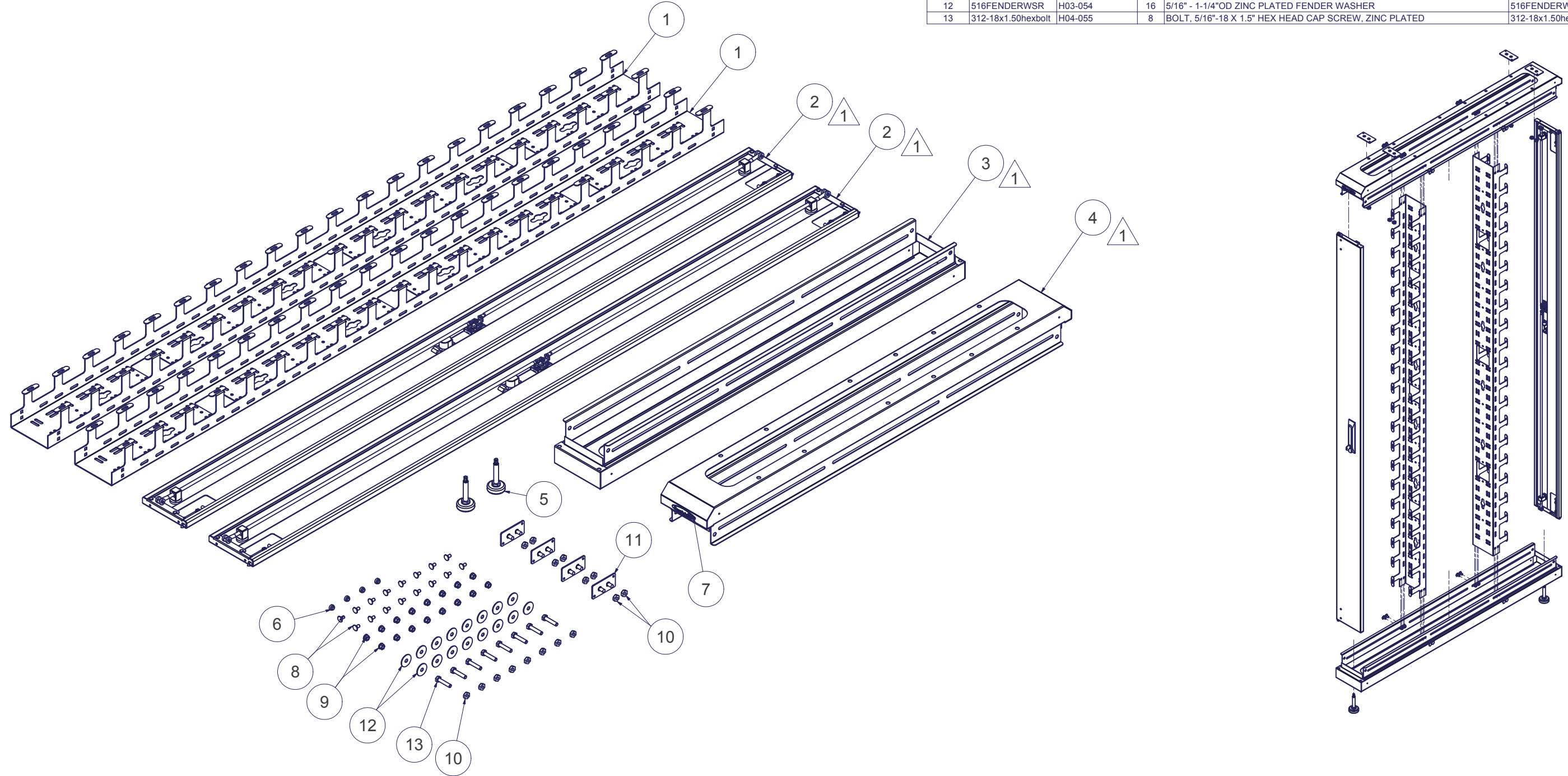


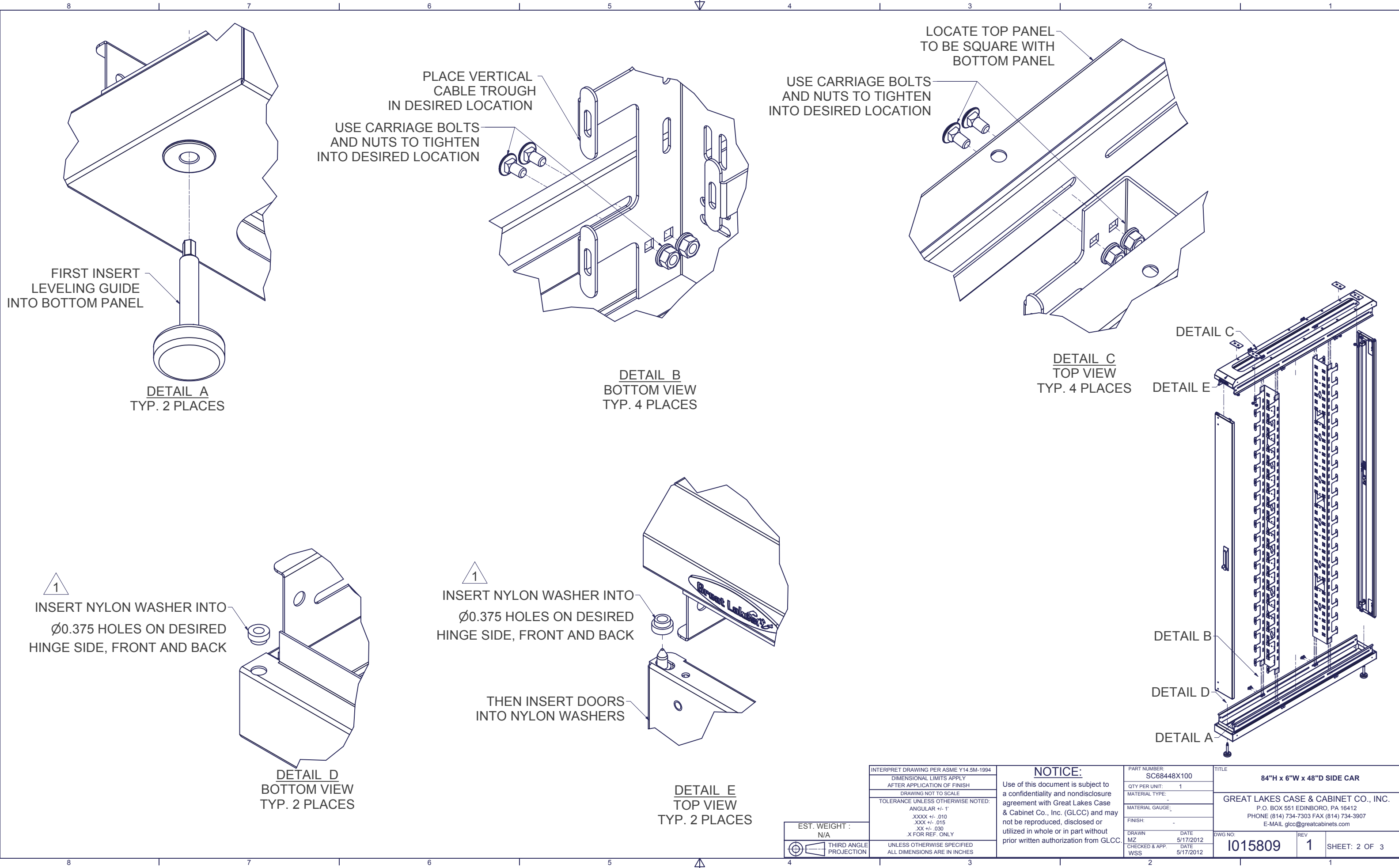
| REVISION HISTORY | | | |
|------------------|-------------|-----------|----------|
| REV | DESCRIPTION | DATE | APPROVED |
| 0 | ECO-03546 | 5/17/2012 | MZ |
| 1 | ECO-03609 | 6/29/2012 | CDM |

| Bill of Material | | | | | | |
|------------------|--------------------|--------------|-----|---|------------------------|-----|
| ITEM | PART NUMBER | STOCK NUMBER | QTY | DESCRIPTION | FILE NAME | REV |
| 1 | | | 2 | 4.906"W x 80.434"H VERTICAL RAIL 6"W SIDE CAR | I015730.ipt | 0 |
| 2 | | | 2 | DOOR FOR 6"W SIDE CAR - ASSEMBLY | I015726.iam | 1 |
| 3 | | | 1 | BOTTOM FOR 6"W x 48"D SIDE CAR - WELDMNT | I015813.iam | 1 |
| 4 | | | 1 | TOP FOR 6"W x 48"D SIDE CAR - WELDMNT | I015810.iam | 1 |
| 5 | 720901N | H11-001 | 2 | 2 1/2" LEVELING FOOT | 720901N.ipt | - |
| 6 | HT1/4SW | | 4 | NYLON SHOULDER WASHER - BB FRAME | HT14SW.ipt | - |
| 7 | H18-003 | H18-003 | 2 | GLCC NAME PLATE, AL., 3" x .75" w/ "3MLSE9495" ADHESIVE, LaFrance Corp. | H18-003.ipt | - |
| 8 | 2ZN746 | H04-001 | 16 | 1/4-20 X 1/2" LG. CARRIAGE BOLT - ILS | 2ZN746.ipt | - |
| 9 | 2ZN143813 | H02-014 | 16 | 1/4-20 HEX NUT w/SERRATED FLANGED LOCK NUT - ILS | 2ZN143813.ipt | - |
| 10 | H02-052 | H02-052 | 16 | 5/16-18 HEX FLANGE SERRATED LOCKNUT ZINC RoHS (5/16-18HXNUT) | H02-052.ipt | - |
| 11 | | | 4 | SIDE CAR CONNECTOR | I015736.iam | 0 |
| 12 | 516FENDERWSR | H03-054 | 16 | 5/16" - 1-1/4" OD ZINC PLATED FENDER WASHER | 516FENDERWSR.ipt | - |
| 13 | 312-18x1.50hexbolt | H04-055 | 8 | BOLT, 5/16" - 18 X 1.5" HEX HEAD CAP SCREW, ZINC PLATED | 312-18x1.50hexbolt.ipt | - |

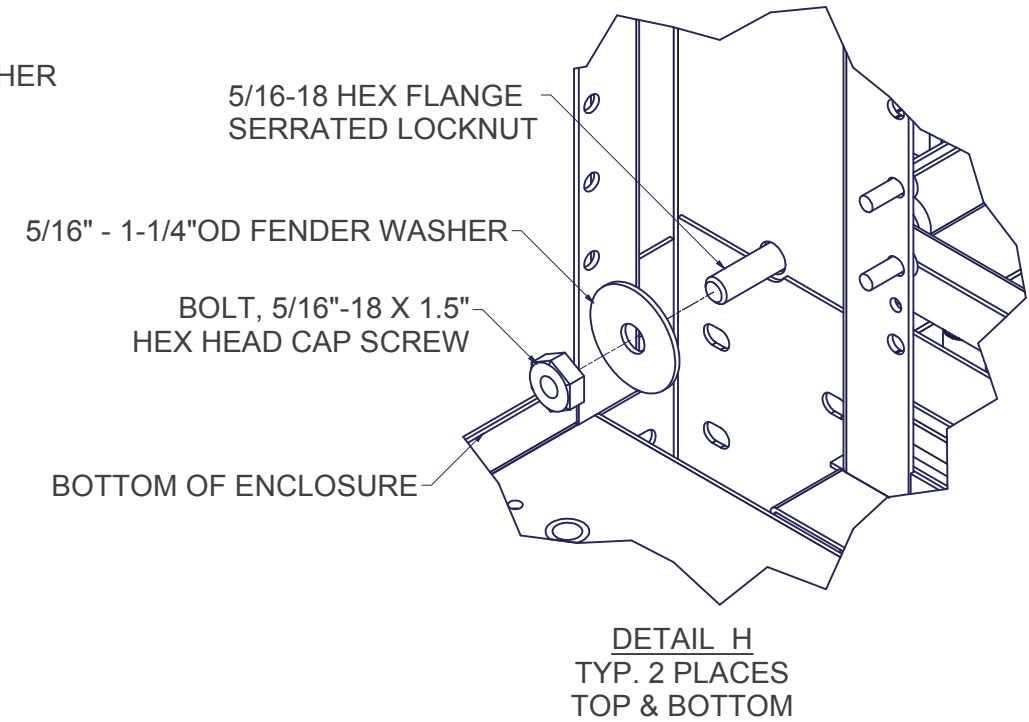
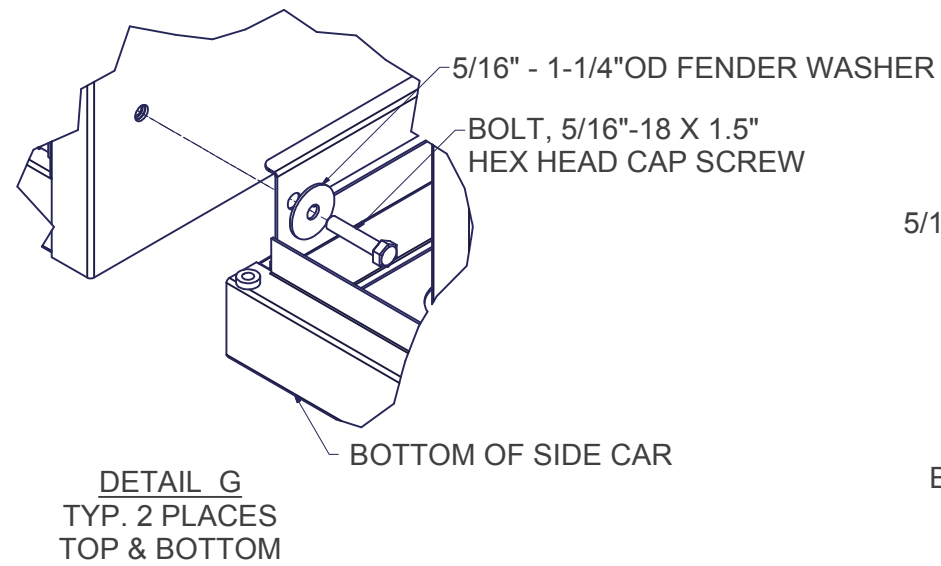
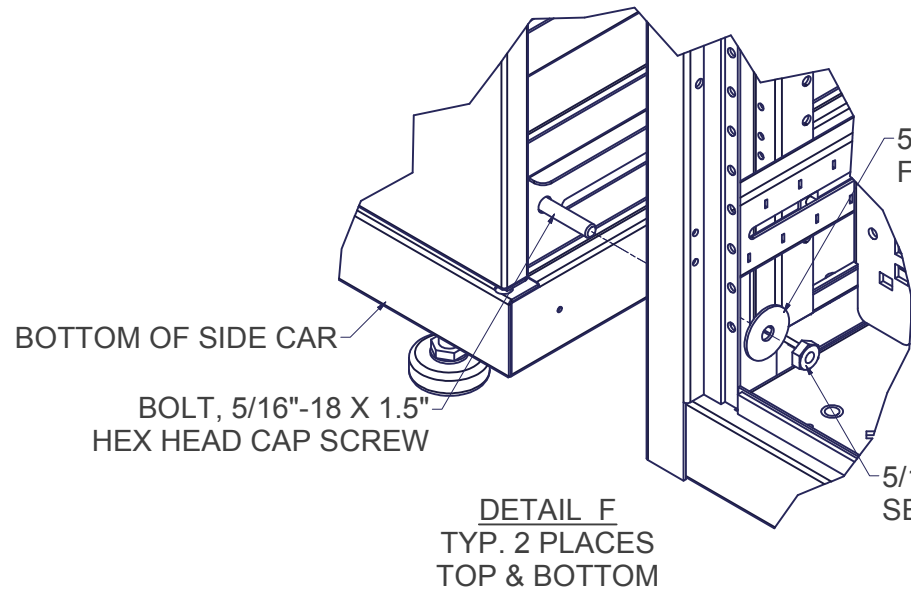


SPECIAL NOTES:
 1) INSTALL DOME LABEL ONTO TOP PANEL, FRONT AND REAR, BEFORE SHIPPING.
 2) BAG ALL EXTRA HARDWARE AND SHIP WITH PARTS.
 3) BAG ALL COMPONENTS AND SHIP AS KIT.
 4) REFER TO PURCHASE ORDER SPECIAL INSTRUCTIONS MAY APPLY.

| | | | |
|--|---|--|---|
| INTERPRET DRAWING PER ASME Y14.5M-1994 DIMENSIONAL LIMITS APPLY AFTER APPLICATION OF FINISH DRAWING NOT TO SCALE TOLERANCE UNLESS OTHERWISE NOTED: ANGULAR +/- .1" .XXXX +/- .010 .XXX +/- .015 .XX +/- .030 .X FOR REF. ONLY | NOTICE: Use of this document is subject to a confidentiality and nondisclosure agreement with Great Lakes Case & Cabinet Co., Inc. (GLCC) and may not be reproduced, disclosed or utilized in whole or in part without prior written authorization from GLCC. | PART NUMBER: SC68448X100 | TITLE: 84"H x 6"W x 48"D SIDE CAR |
| | | QTY PER UNIT: 1 | GREAT LAKES CASE & CABINET CO., INC. P.O. BOX 551 EDINBORO, PA 16412 PHONE (814) 734-7303 FAX (814) 734-3907 E-MAIL glcc@greatcabinets.com |
| EST. WEIGHT: N/A | THIRD ANGLE PROJECTION | DRAWN DATE: MZ 5/17/2012 CHECKED & APP. DATE: WSS 5/17/2012 | DWG NO.: I015809 |
| | | REV: 1 | SHEET: 1 OF 3 |

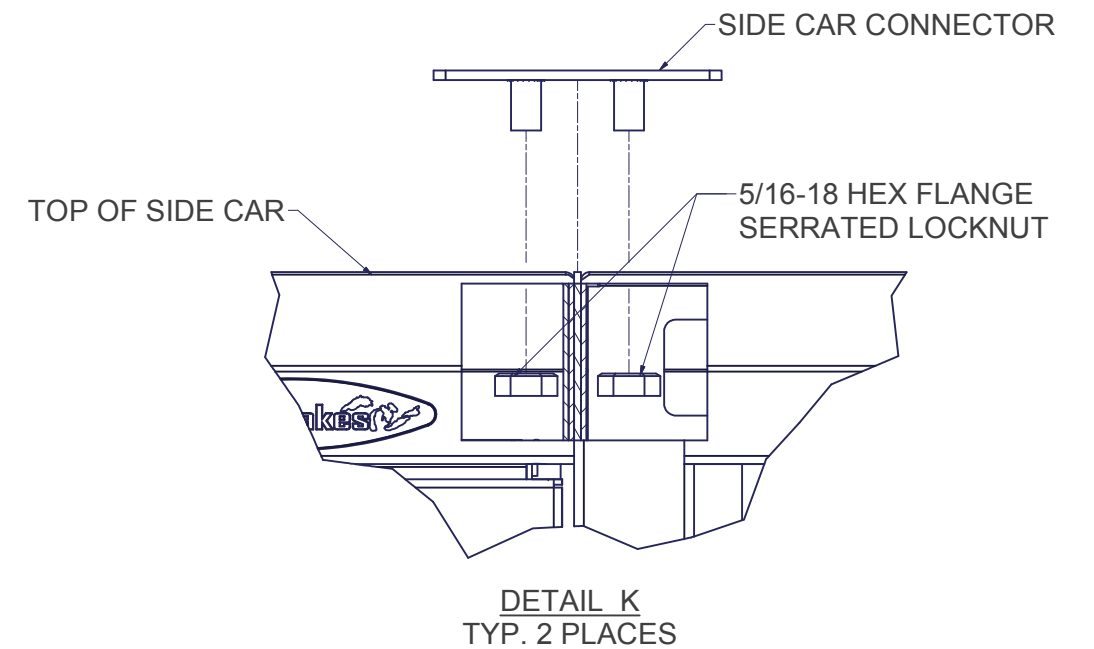
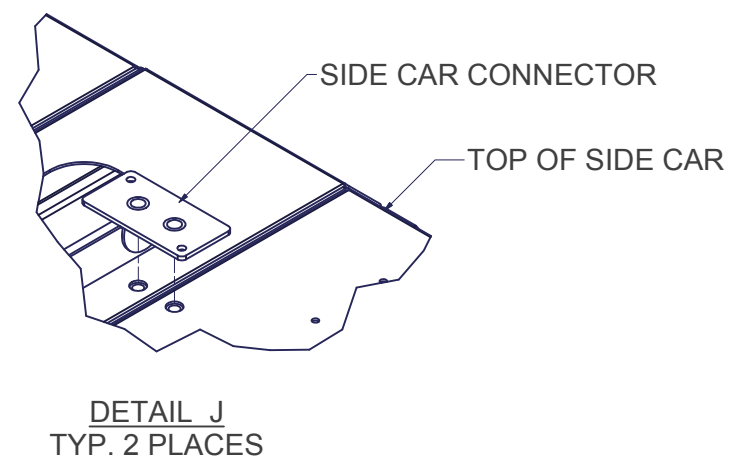
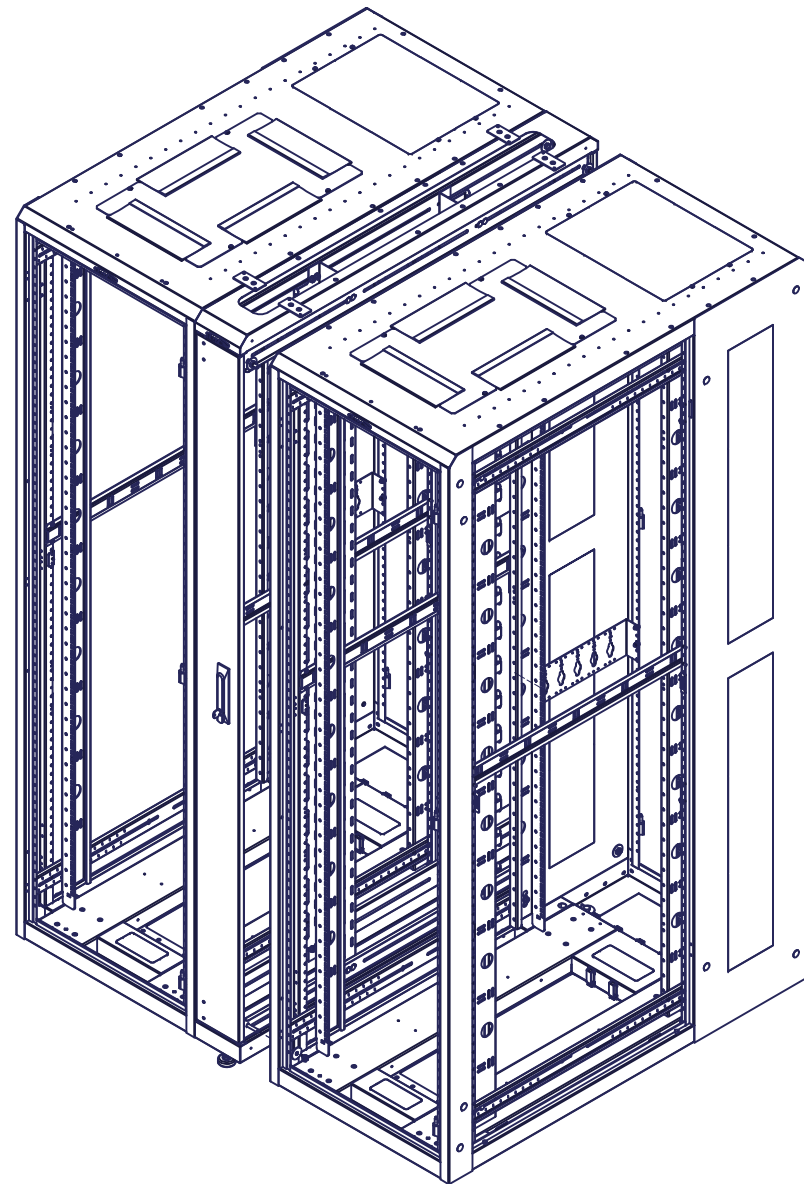


| | | | | | | |
|---|---|---|--------------------------|-----------------|---|---------------|
| INTERPRET DRAWING PER ASME Y14.5M-1994 DIMENSIONAL LIMITS APPLY AFTER APPLICATION OF FINISH DRAWING NOT TO SCALE TOLERANCE UNLESS OTHERWISE NOTED: ANGULAR +/- .1" .XXXX +/- .010 .XXX +/- .015 .XX +/- .030 .X FOR REF. ONLY | NOTICE: | | PART NUMBER: SC68448X100 | | TITLE: 84"H x 6"W x 48"D SIDE CAR | |
| | Use of this document is subject to a confidentiality and nondisclosure agreement with Great Lakes Case & Cabinet Co., Inc. (GLCC) and may not be reproduced, disclosed or utilized in whole or in part without prior written authorization from GLCC. | | QTY PER UNIT: 1 | | GREAT LAKES CASE & CABINET CO., INC. P.O. BOX 551 EDINBORO, PA 16412 PHONE (814) 734-7303 FAX (814) 734-3907 E-MAIL glcc@greatcabinets.com | |
| | | | MATERIAL TYPE: | | DRAWN DATE: 5/17/2012 | |
| | | | MATERIAL GAUGE: | | CHECKED & APP. DATE: 5/17/2012 | |
| EST. WEIGHT: N/A | THIRD ANGLE PROJECTION | UNLESS OTHERWISE SPECIFIED ALL DIMENSIONS ARE IN INCHES | | DWG NO: 1015809 | REV: 1 | SHEET: 2 OF 3 |



ALIGN THE ENCLOSURE WITH THE SIDE CAR.
PLACE THE 5/16"-18 HEX HEAD BOLT
THROUGH THE ALIGNED HOLES
OF THE ECLOSURE AND THE SIDE CAR.

PLACE ANOTHER FENDER WASHER AND
THE 5/16"-18 HEX FLANGE SERRATED LOCKNUT
ONTO THE BOLT AND TIGHTEN.



EST. WEIGHT :
N/A

THIRD ANGLE
PROJECTION

INTERPRET DRAWING PER ASME Y14.5M-1994
DIMENSIONAL LIMITS APPLY
AFTER APPLICATION OF FINISH
DRAWING NOT TO SCALE
TOLERANCE UNLESS OTHERWISE NOTED:
ANGULAR +/- .1"
.XXXX +/- .010
.XXX +/- .015
.XX +/- .030
.X FOR REF. ONLY
UNLESS OTHERWISE SPECIFIED
ALL DIMENSIONS ARE IN INCHES

NOTICE:
Use of this document is subject to a confidentiality and nondisclosure agreement with Great Lakes Case & Cabinet Co., Inc. (GLCC) and may not be reproduced, disclosed or utilized in whole or in part without prior written authorization from GLCC.

PART NUMBER:
SC68448X100
QTY PER UNIT: 1
MATERIAL TYPE:
MATERIAL GAUGE:
FINISH:
DRAWN DATE: 5/17/2012
MZ
CHECKED & APP. DATE: 5/17/2012
WSS

TITLE
84"H x 6"W x 48"D SIDE CAR
GREAT LAKES CASE & CABINET CO., INC.
P.O. BOX 551 EDINBORO, PA 16412
PHONE (814) 734-7303 FAX (814) 734-3907
E-MAIL glcc@greatcabinets.com
DWG NO: **1015809** REV: **0** SHEET: 3 OF 3