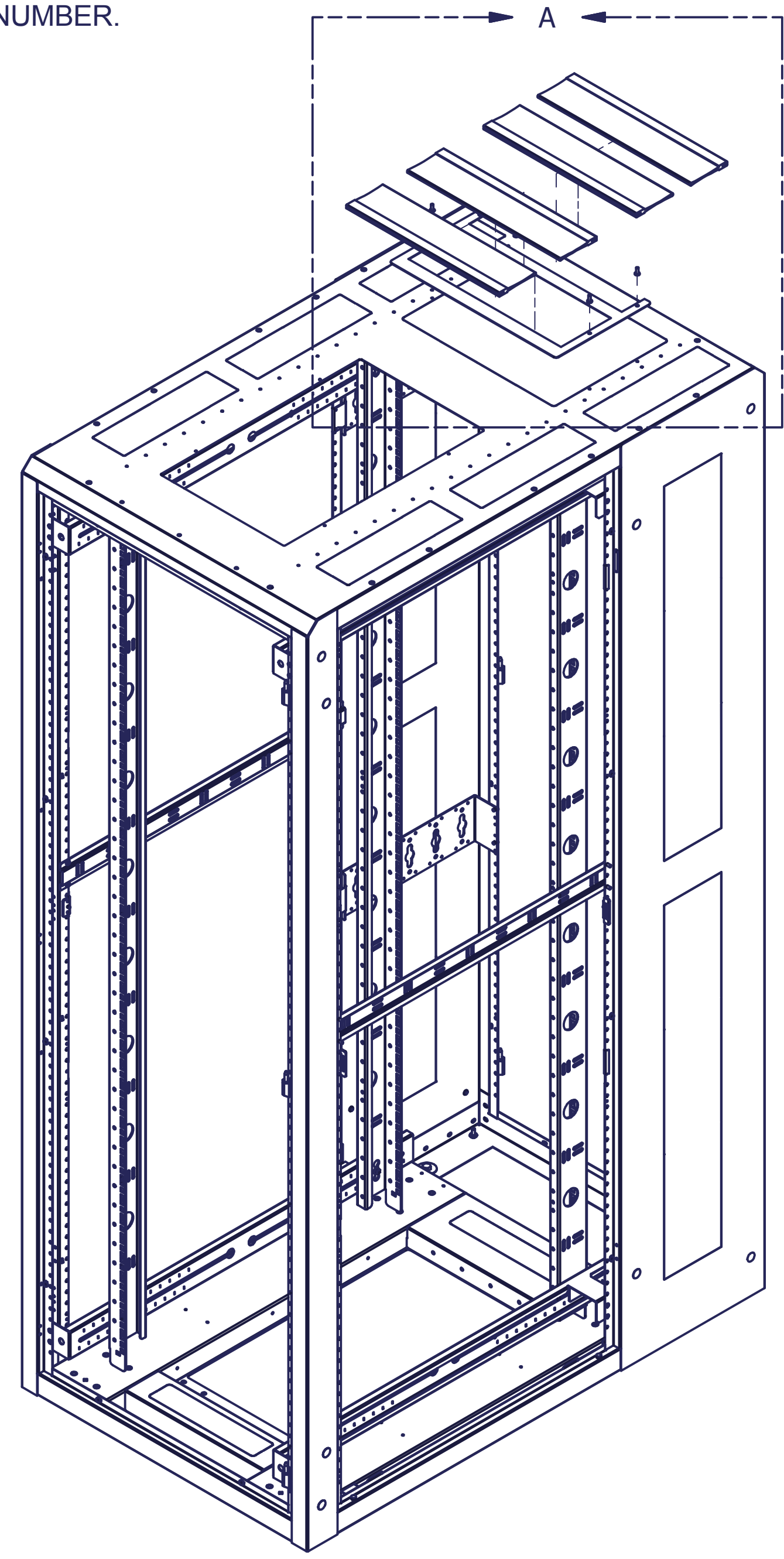
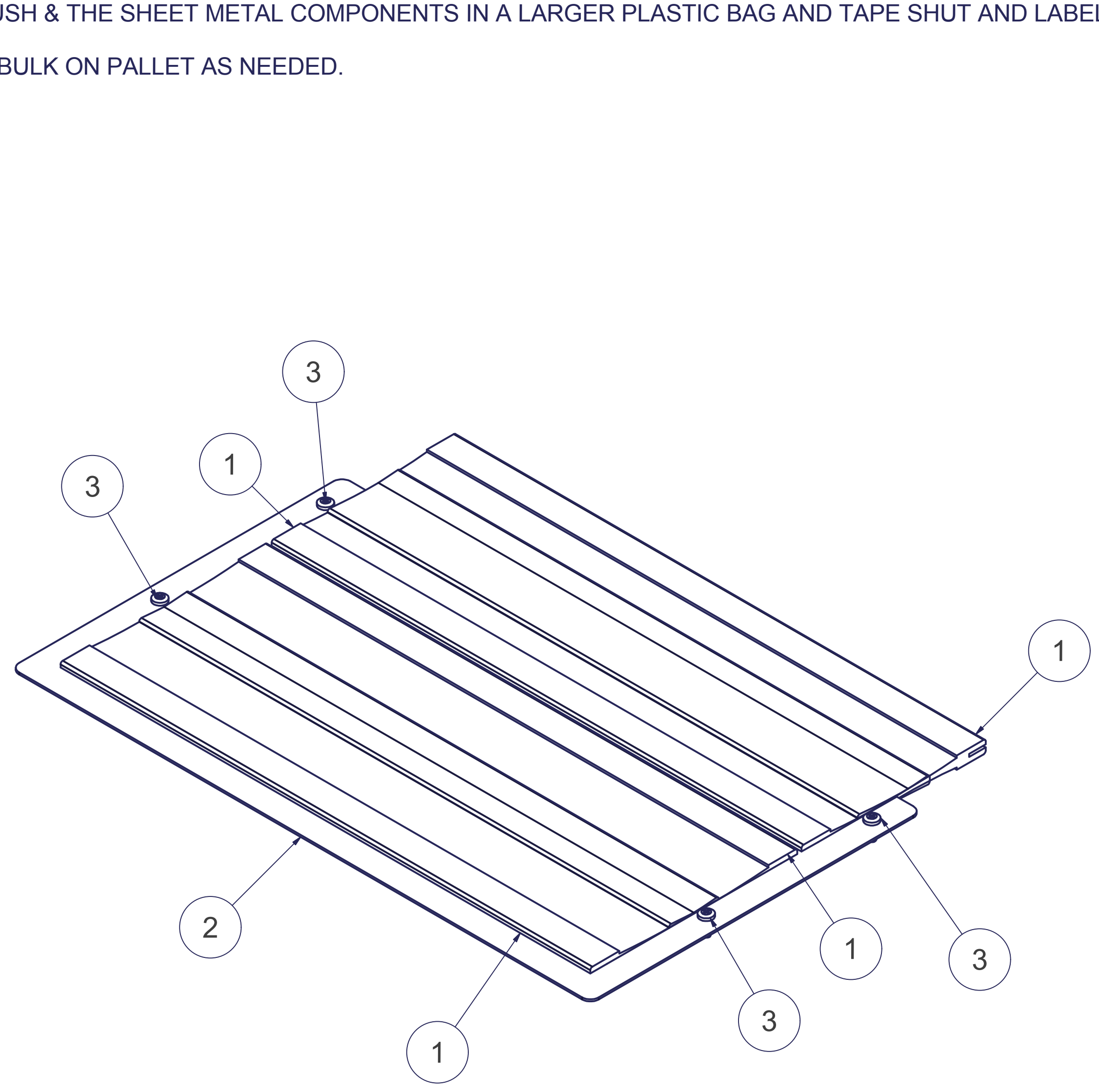


REVISION HISTORY			
REV	DESCRIPTION	DATE	APPROVED
0	ECO-06113	12/23/2013	CDM
1	ECO-06515	3/24/2015	WSS
2	ECO-06518	3/26/2015	VL
3	ECO-07115	4/12/2017	VL

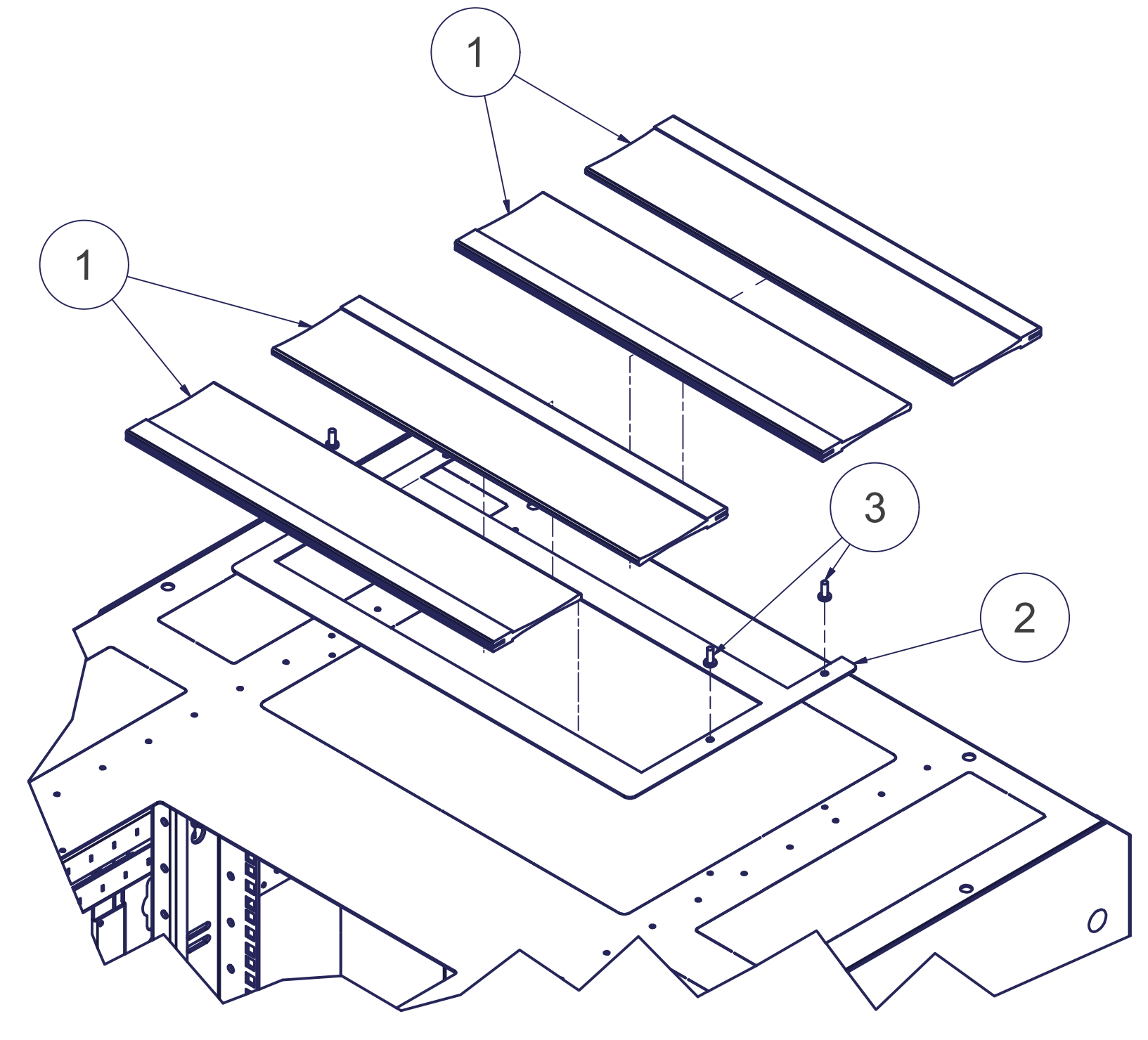
Bill of Material						
ITEM	PART NUMBER	STOCK NUMBER	QTY	DESCRIPTION	FILE NAME	REV
1	14006785-16.00	S48-003-16.00	4	BRUSH STRIP, FLEXIBLE PVC, 3" Trim, CUT 16.00" LG. (TANIS INC.)	S48-003-16.00.ipt	0
2			1	CHIMNEY GROMMET PANEL	I020718.ipt	0
3		H01-078	4	SCREW, 10-32x1/2" PH PAN TYPE 23 BLACK ZINC RoHS	H01-078.ipt	-

SPECIAL NOTES:

- 1) REFER TO PURCHASE ORDER - SPECIAL INSTRUCTIONS MAY APPLY!
- 2) PLACE THE QTY-4 SCREWS IN A SEPARATE SEALABLE PLASTIC BAG OR SEAL ORANGE HARDWARE BAG AND THEN PLACE IT AND THE BRUSH & THE SHEET METAL COMPONENTS IN A LARGER PLASTIC BAG AND TAPE SHUT AND LABEL WITH PART NUMBER.
- 3) SHIP BULK ON PALLET AS NEEDED.



ISO VIEW
(ENCLOSURE NOT INCLUDED)
(FOR REFERENCE ONLY)



DETAIL A

EST. WEIGHT :
2.56 lbmass

THIRD ANGLE
PROJECTION

INTERPRET DRAWING PER ASME Y14.5M-1994
DIMENSIONAL LIMITS APPLY
AFTER APPLICATION OF FINISH
DRAWING NOT TO SCALE
TOLERANCE UNLESS OTHERWISE NOTED:
ANGULAR +/- 1°
.XXXX +/- .010
.XXX +/- .015
.XX +/- .030
.X FOR REF. ONLY
UNLESS OTHERWISE SPECIFIED
ALL DIMENSIONS ARE IN INCHES

NOTICE:
Use of this document is subject to a confidentiality and nondisclosure agreement with Great Lakes Case & Cabinet Co., Inc. (GLCC) and may not be reproduced, disclosed or utilized in whole or in part without prior written authorization from GLCC.

PART NUMBER:
TP48ESBBX100
QTY PER UNIT:
1
MATERIAL TYPE:
CRS
MATERIAL GAUGE:
SEE DETAILS
FINISH:
NONE
DRAWN
CDM
CHECKED & APP.
WSS
DATE
12/23/2013
DATE
12/23/2013

TITLE
CHIMNEY BRUSH GROMMET KIT FOR ES3048 ENCLOSURES
GREAT LAKES CASE & CABINET CO., INC.
P.O. BOX 551 EDINBORO, PA 16412
PHONE (814) 734-7303 FAX (814) 734-3907
E-MAIL glcc@greatcabinets.com
DWG NO:
1020717
REV
3
SHEET: 1 OF 1