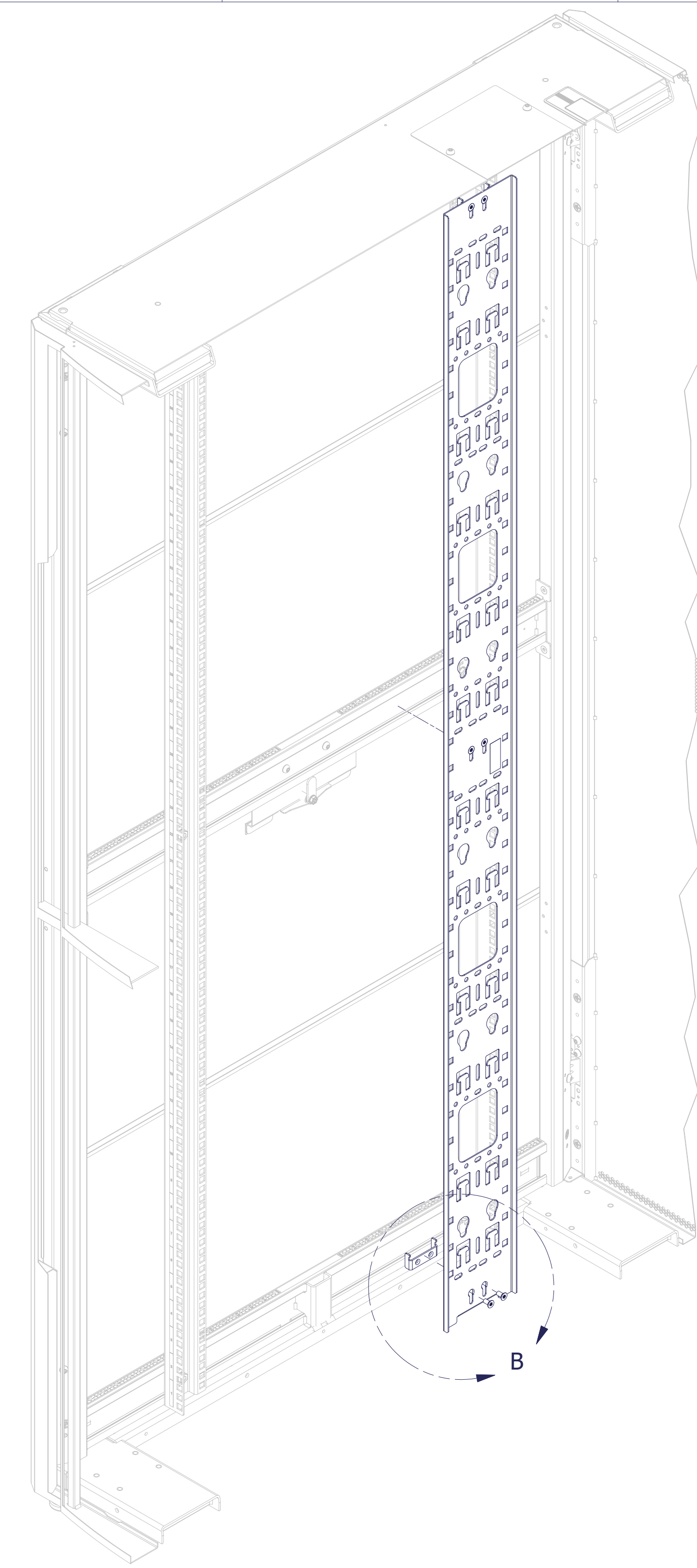
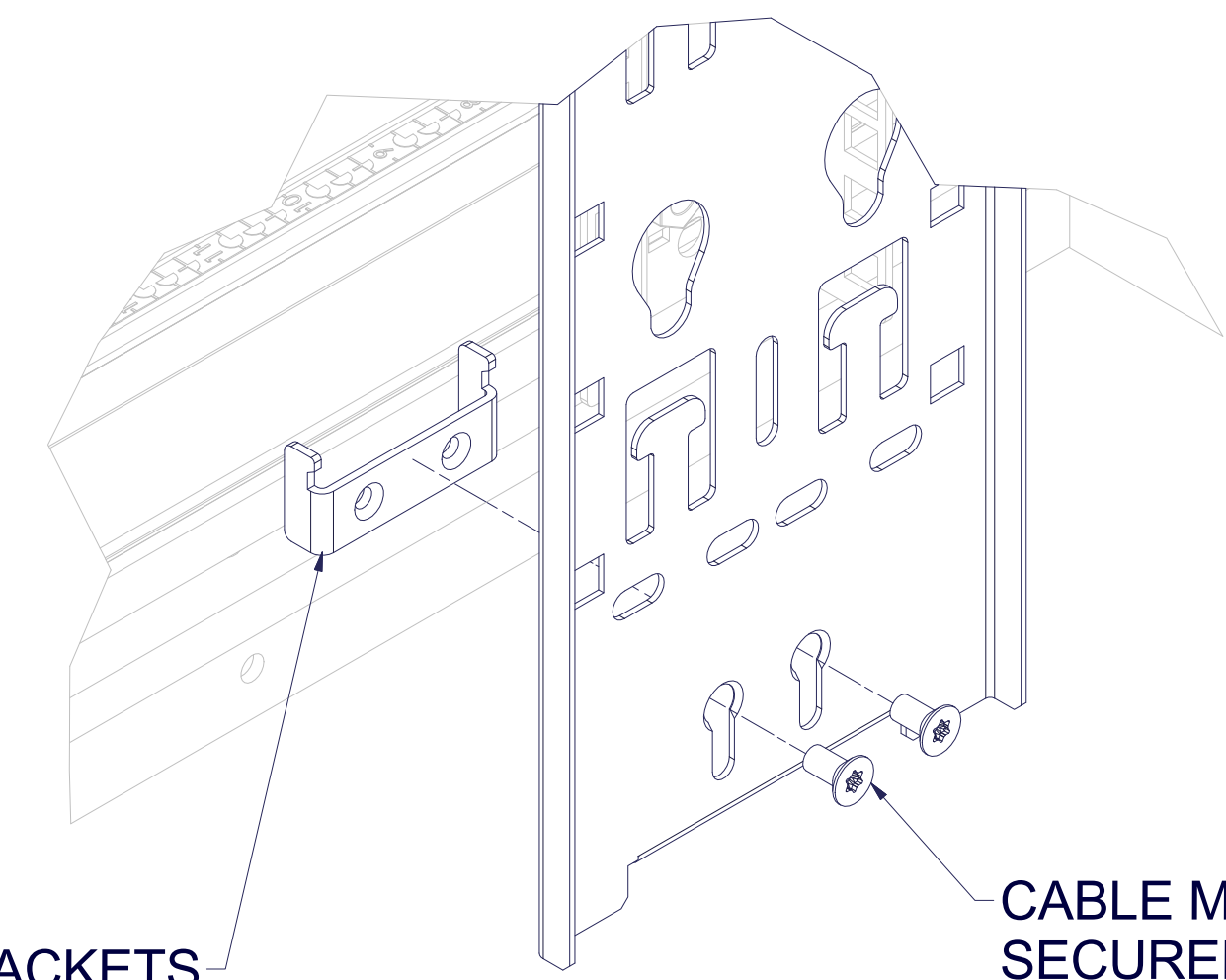
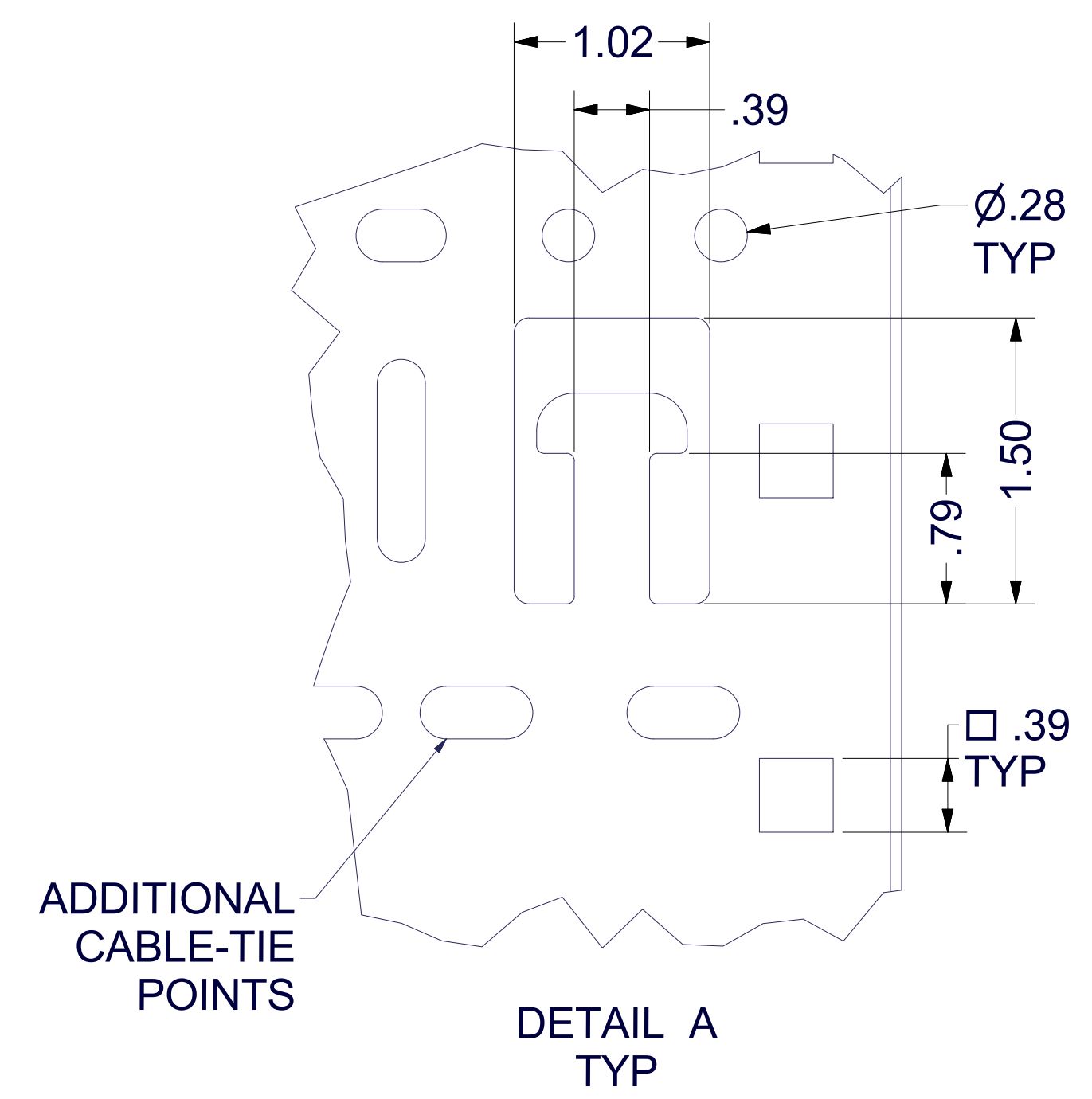
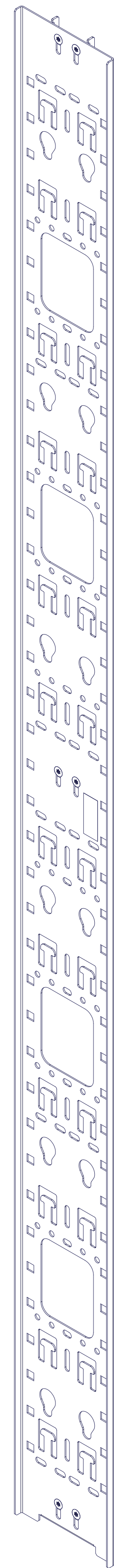
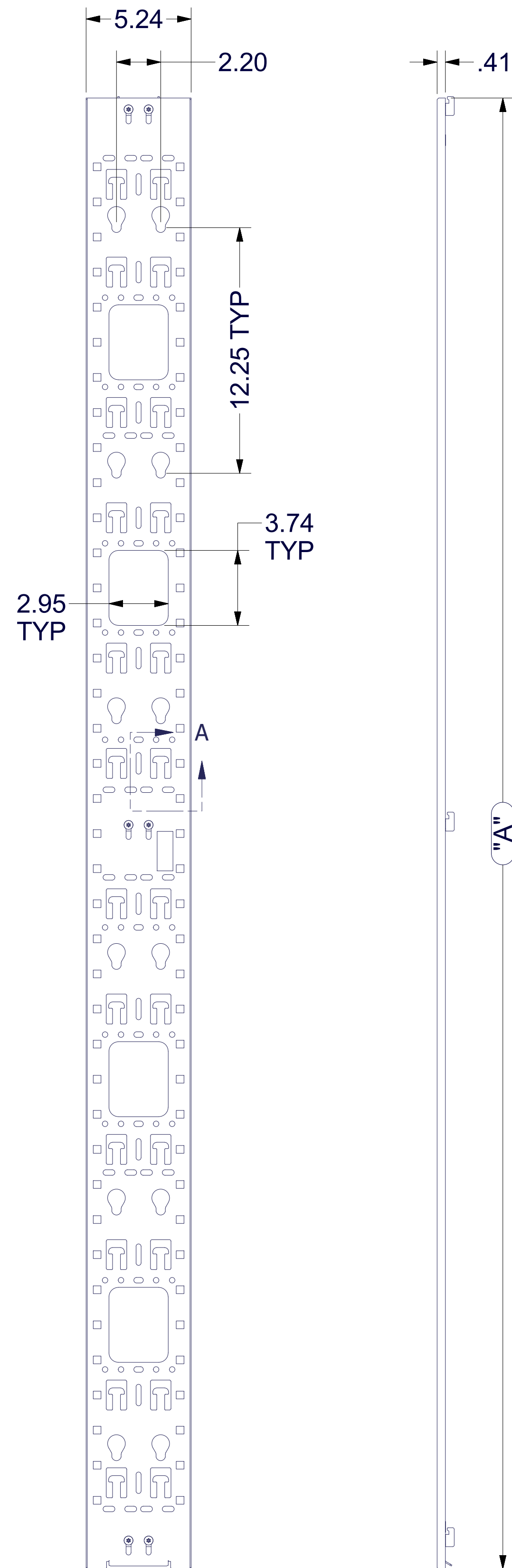


REVISION HISTORY		
REV	DATE	APPROVED
0	5/28/2020	VL



MOUNTING BRACKETS TO BE INSERTED INTO HORIZONTAL CHANNEL

DETAIL B TYP (3) PLACES

CABLE MANAGER TO BE SECURED W/ SCREWS

SPECIFICATIONS:

DIMENSIONS : SEE CHART

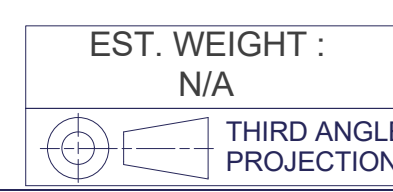
CERTIFICATIONS : RoHS II

COLOR : DURABLE TEXTURED POWDER COATING

CONSTRUCTION : #16 GA. C.R.S

HARDWARE : (3) MOUNTING BRACKETS & (6) M6 SCREWS

PART NUMBER	DESCRIPTION	RMU	DIM "A"
VCB-79L	79", 42U VERTICAL PDU / CABLE MANAGEMENT RAIL	42U	73.34 in
VCB-91L	91", 47U VERTICAL PDU / CABLE MANAGEMENT RAIL	47U	82.13 in



INTERPRET DRAWING PER ASME Y14.5M-1994
DIMENSIONAL LIMITS APPLY AFTER APPLICATION OF FINISH
DRAWING NOT TO SCALE
TOLERANCE UNLESS OTHERWISE NOTED:
ANGULAR +/- 1°
.XXXX +/- .010
.XXX +/- .015
.XX +/- .030
.X FOR REF. ONLY
UNLESS OTHERWISE SPECIFIED ALL DIMENSIONS ARE IN INCHES

NOTICE:

Use of this document is subject to a confidentiality and nondisclosure agreement with Great Lakes Data Racks & Cabinets and may not be reproduced, disclosed or utilized in whole or in part without prior written authorization from Great Lakes.

PART NUMBER: VCB-xxL	TITLE VERTICAL PDU / CABLE MANAGEMENT RAIL
MATERIAL TYPE: CRS	GREAT LAKES DATA RACKS & CABINETS P.O. BOX 551 EDINBORO, PA 16412 PHONE (814) 734-7303 FAX (814) 734-3907 E-MAIL info@greatcabinets.com
MATERIAL GAUGE: POWDERCOATED	
DRAWN VL	DATE 12/6/2019
CHECKED & APP. VL	DATE
DWG NO: VCB-xxL	REV 0
SHEET: 1 OF 1	