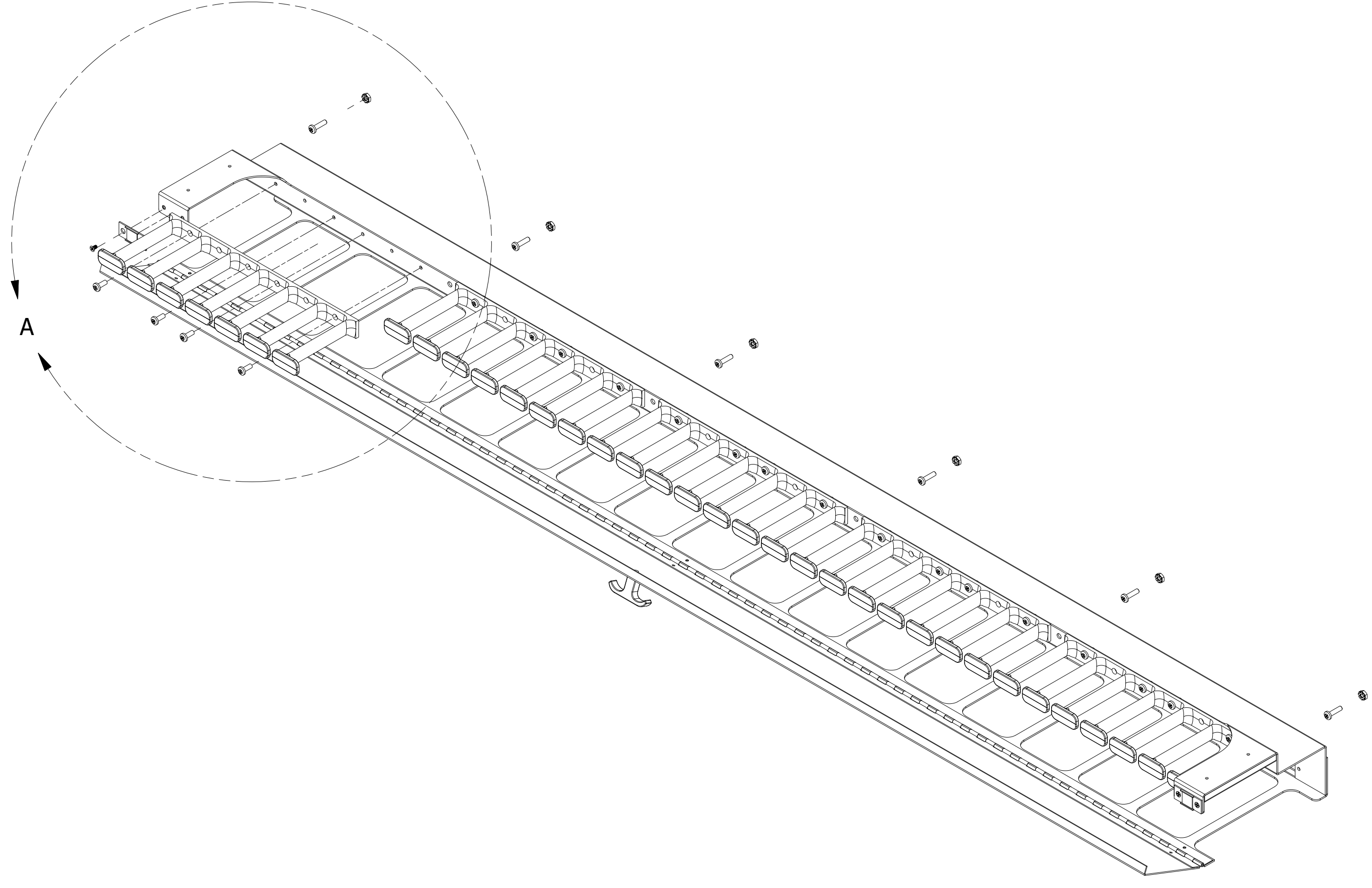
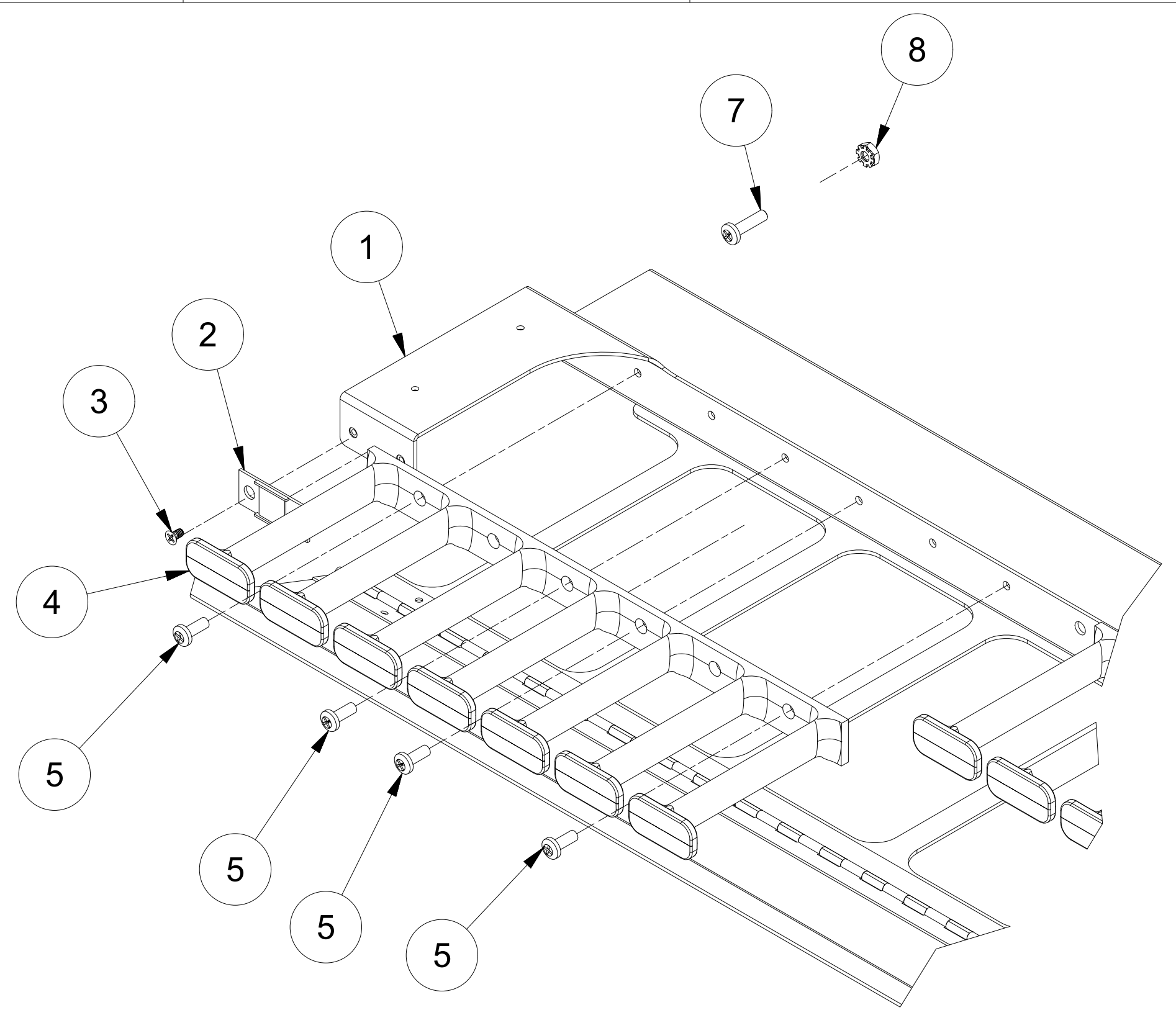
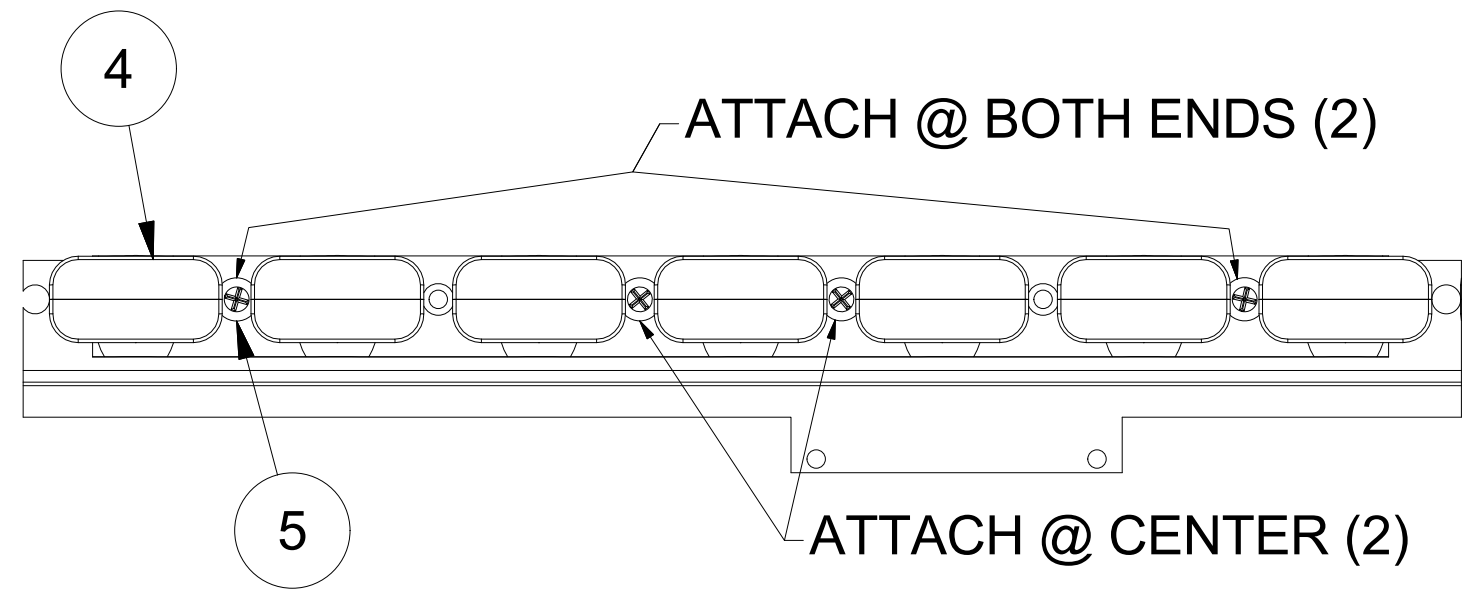


REVISION HISTORY			
REV	DESCRIPTION	DATE	APPROVED
0	ECO-06860	5/13/2016	VL
1	ECO-06962	9/26/2016	VL

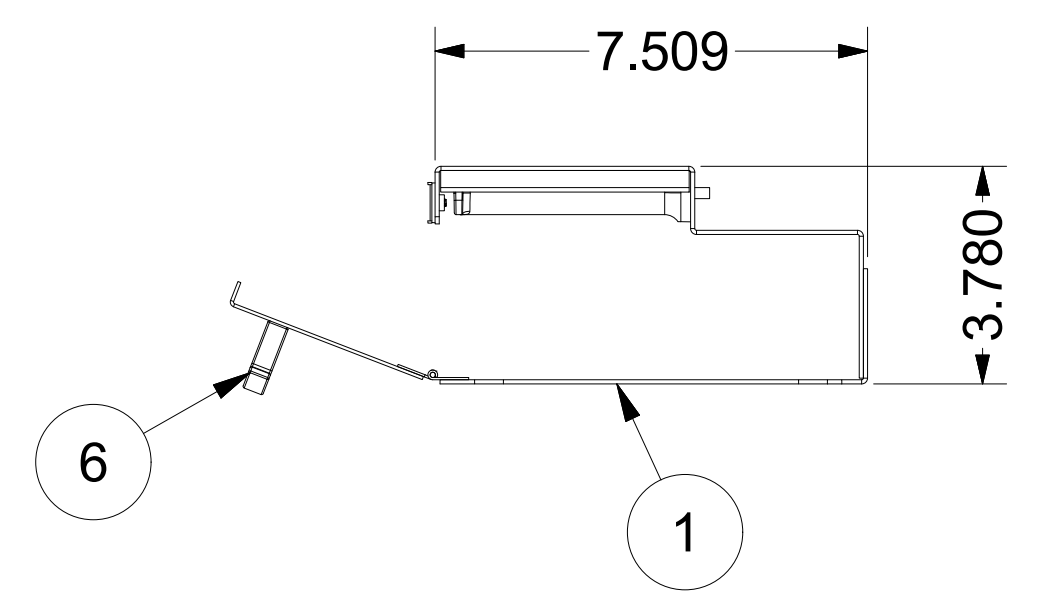
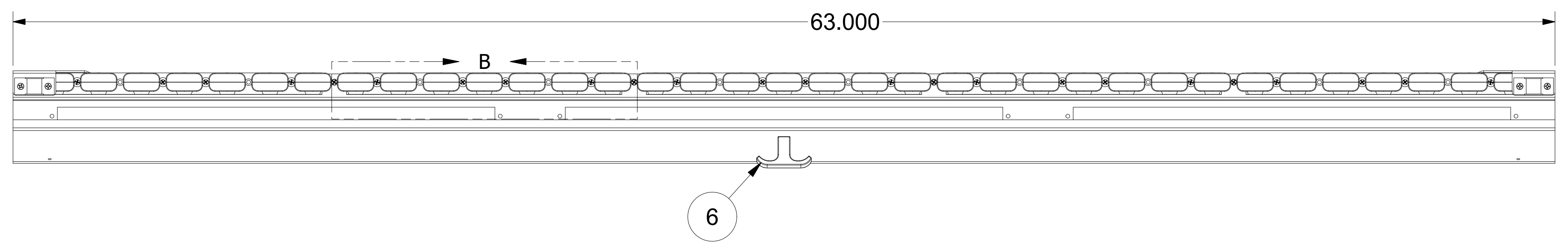
Bill of Material						
ITEM	PART NUMBER	STOCK #	QTY	DESCRIPTION	FILE NAME	Rev
1	I025968		1	63"H HINGED COVER VERTICAL CABLE MANAGER, WELDMENT	I025968.iam	1
2	1745A15	H19-209	2	Surface Mount Magnetic Catch 9 lbs. of Pull Power, 1-5/8" x 11/16" x 1/8"	1745A15.ipt	-
3		H01-038	4	Screw, #6-32 x 1/4" undercut flat head phillips, black	H01-038.ipt	-
4	CM47		5	4"DEEP x 7 RMU PLASTIC FINGER CABLE MANAGEMENT	I013299.ipt	3
5		H01-078	20	SCREW, 10-32x1/2" PH PAN TYPE 23 BLACK ZINC RoHS	H01-078.ipt	-
6		H19-242	1	EXTRUDED ALUMINUM OPEN-ENDED PULL HANDLE (McMaster PN.11625A11 OR EQUIV.)	H19-242.ipt	-
7		H01-265	6	#10-32 x 3/4" L PAN HEAD PHIL MS, BLACK	H01-265.ipt	-
8		H02-001	6	#10-32 KEPS NUT, ZINC RoHS (10/32NUT)	H02-001.iam	-



DETAIL A



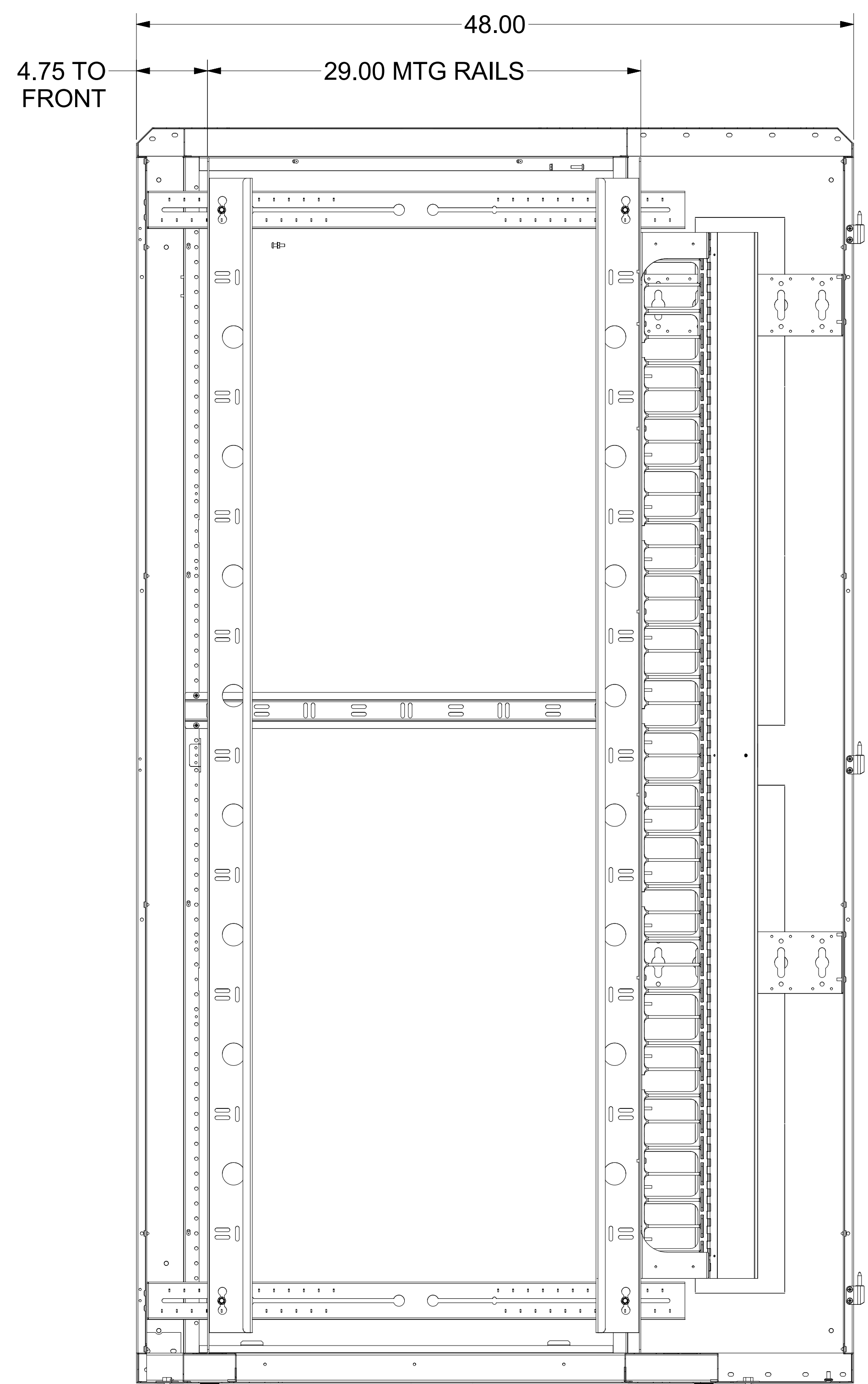
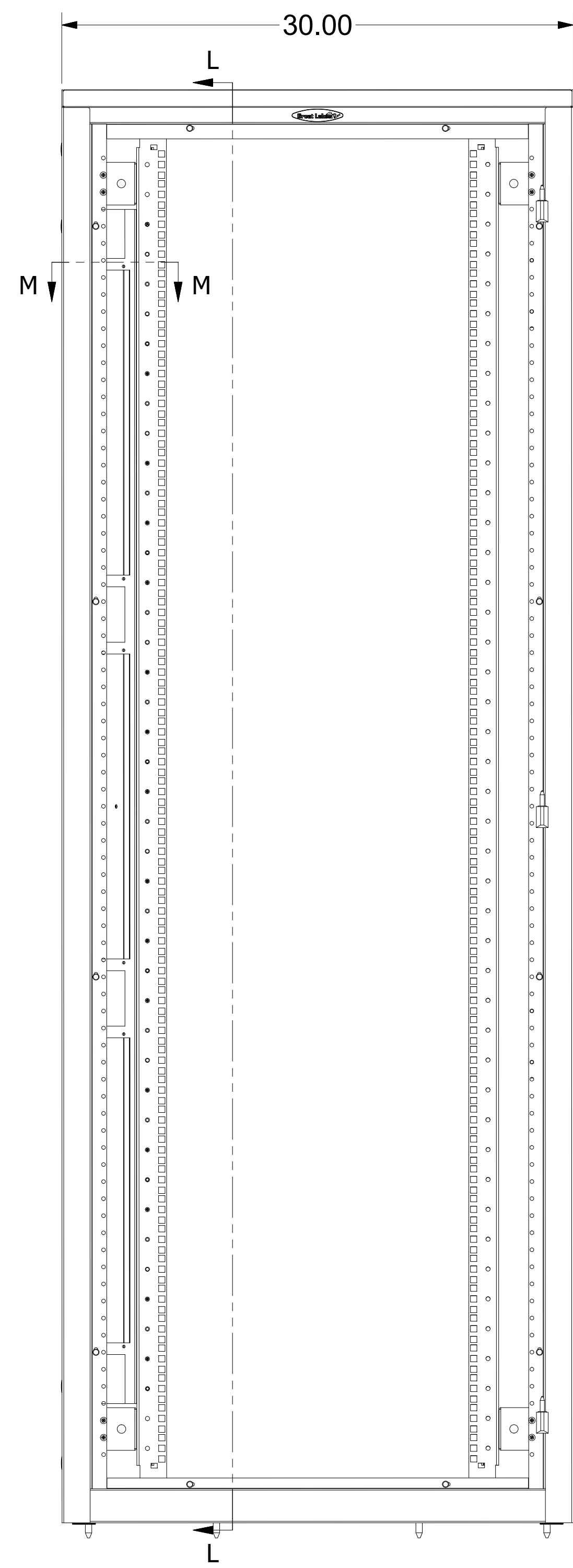
DETAIL B
TYPICAL (5) FINGER MANAGERS



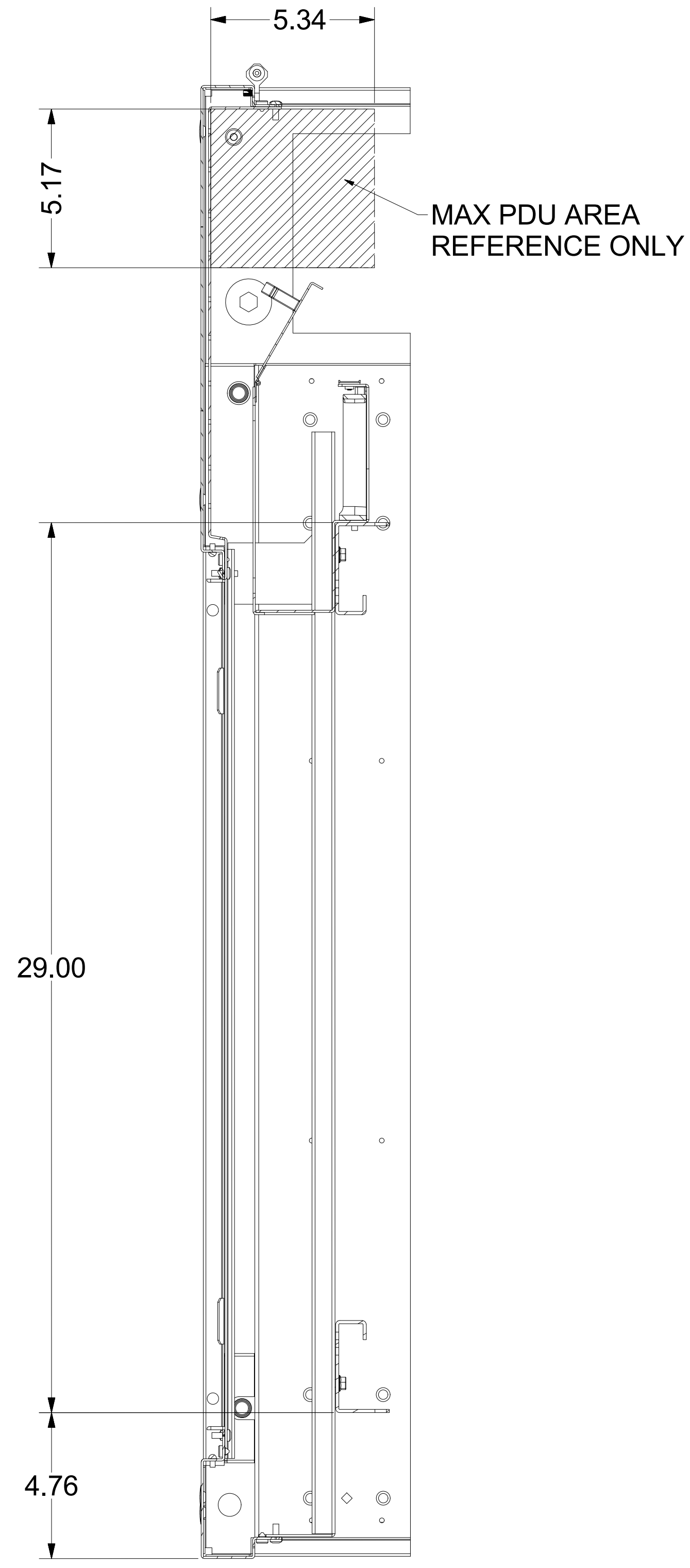
- NOTES:**
- SEE PURCHASE ORDER, SPECIAL INSTRUCTIONS MAY APPLY.
 - INSTALL THE CM47 PLASTIC FINGERS ONTO THE HINGED COVER WELDMENT USING SCREWS INTO THE TAPPED HOLES. (4) SCREWS PER CM47 AS SHOWN.
 - CREATE HARDWARE PACK FOR THE (6) HEX NUTS AND (6) SCREWS (ITEMS# 7 & 8), WIRE TIE PACK TO UNIT.
 - INSTALL MAGNETIC CATCH AND PULL HANDLE WITH HARDWARE AS SHOWN.
 - SHIP FLAT ON PALLET. IF NOT INSTRUCTED TO INSTALL ON FRAME FROM P.O.

EST. WEIGHT : N/A	INTERPRET DRAWING PER ASME Y14.5M-1994	NOTICE: Use of this document is subject to a confidentiality and nondisclosure agreement with Great Lakes Case & Cabinet Co., Inc. (GLCC) and may not be reproduced, disclosed or utilized in whole or in part without prior written authorization from GLCC.	PART NUMBER: VCM79KX100	TITLE 63"H HINGED COVER VERTICAL CABLE MANAGER FOR 79"H 'ES' ENCLOSURES, VENDOR LEVEL
	DIMENSIONAL LIMITS APPLY AFTER APPLICATION OF FINISH DRAWING NOT TO SCALE TOLERANCE UNLESS OTHERWISE NOTED: ANGULAR +/- 1' .XXXX +/- .010 .XXX +/- .015 .XX +/- .030 .X FOR REF. ONLY		QTY PER UNIT: 1	MATERIAL TYPE: SEE DETAILS
THIRD ANGLE PROJECTION	UNLESS OTHERWISE SPECIFIED ALL DIMENSIONS ARE IN INCHES		FINISH: SEE DETAILS	DWG NO: I025967
			DRAWN VL CHECKED & APP. WSS DATE 5/12/2016 DATE 5/24/2016	REV 1
				SHEET: 1 OF 1

8 7 6 5 4 3 2 1

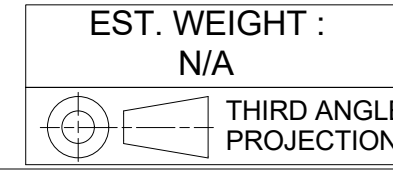


SECTION L-L



SECTION M-M
TOP INSIDE VIEW

48"D ES, VCM84K ON REAR



EST. WEIGHT :
N/A

INTERPRET DRAWING PER ASME Y14.5M-1994
DIMENSIONAL LIMITS APPLY
AFTER APPLICATION OF FINISH
DRAWING NOT TO SCALE
TOLERANCE UNLESS OTHERWISE NOTED:
ANGULAR +/- 1'
.XXXX +/- .010
.XXX +/- .015
.XX +/- .030
.X FOR REF. ONLY
UNLESS OTHERWISE SPECIFIED
ALL DIMENSIONS ARE IN INCHES

NOTICE:
Use of this document is subject to a confidentiality and nondisclosure agreement with Great Lakes Case & Cabinet Co., Inc. (GLCC) and may not be reproduced, disclosed or utilized in whole or in part without prior written authorization from GLCC.

PART NUMBER:
MATERIAL TYPE:
MATERIAL GAUGE:
FINISH:
DRAWN VL
CHECKED & APP. DATE

TITLE
SEE CHART
GREAT LAKES CASE & CABINET CO., INC.
P.O. BOX 551 EDINBORO, PA 16412
PHONE (814) 734-7303 FAX (814) 734-3907
E-MAIL glcc@greatcabinets.com
DWG NO: **VCM84K INSTALLED**
REV
SHEET: 7 OF 7

8 7 6 5 4 3 2 1