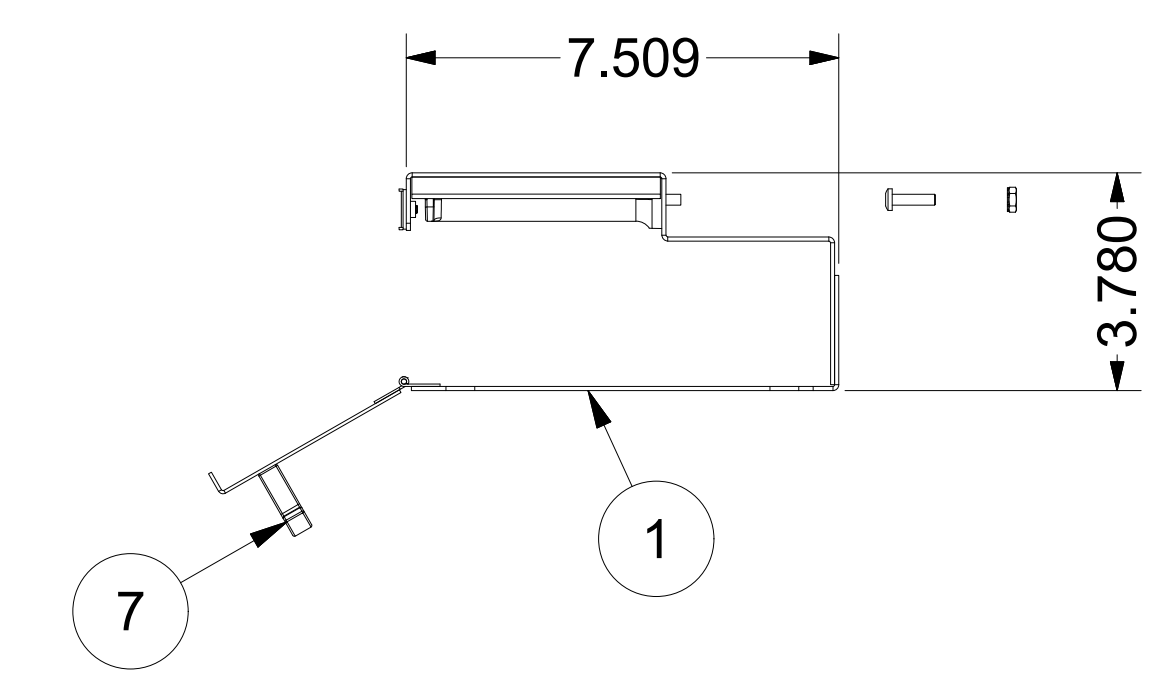
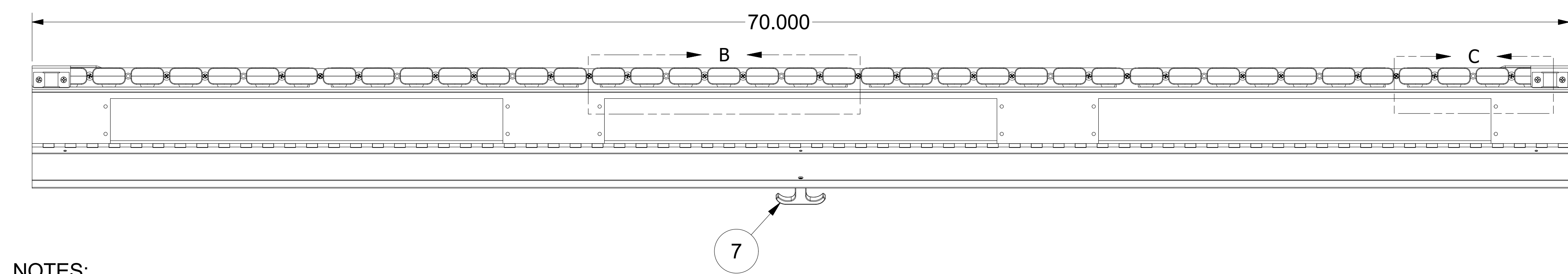
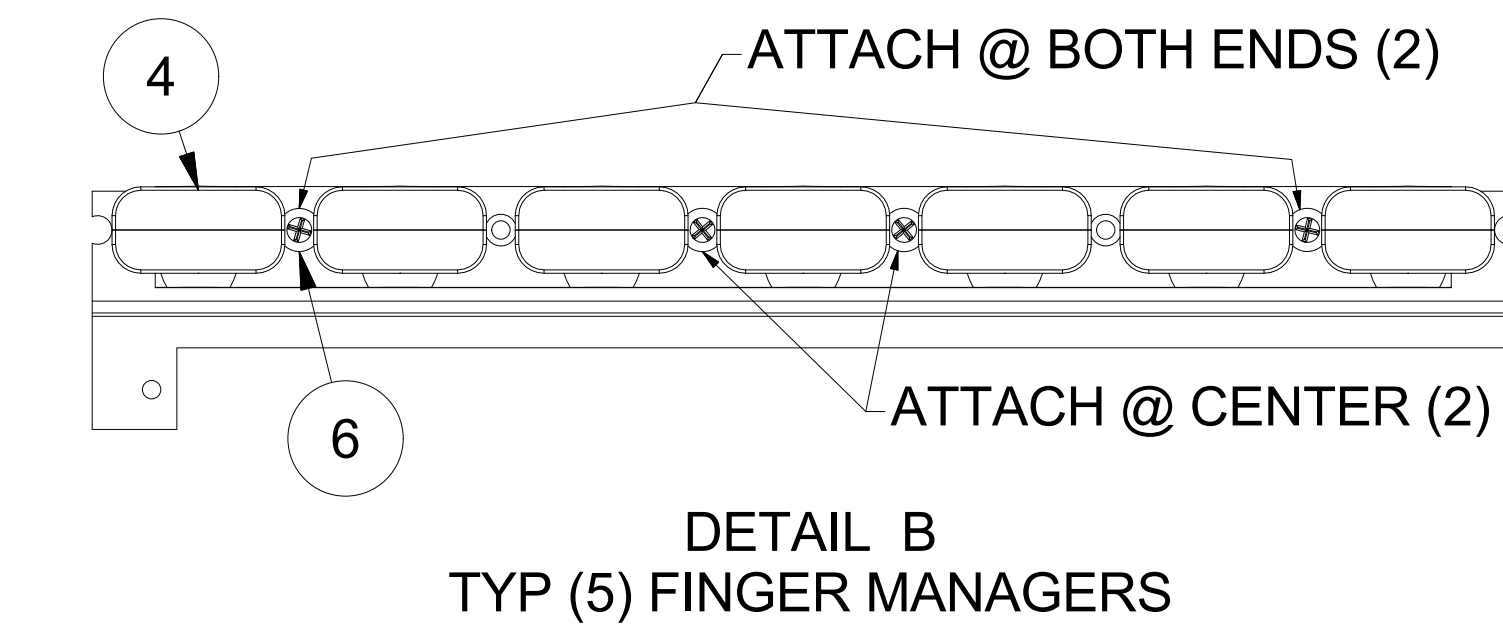
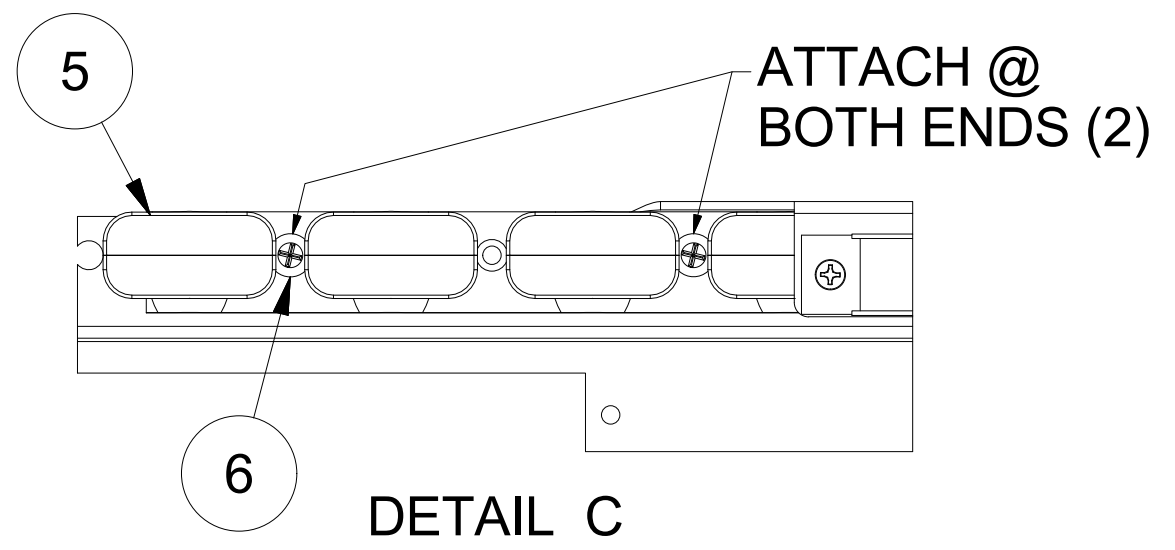
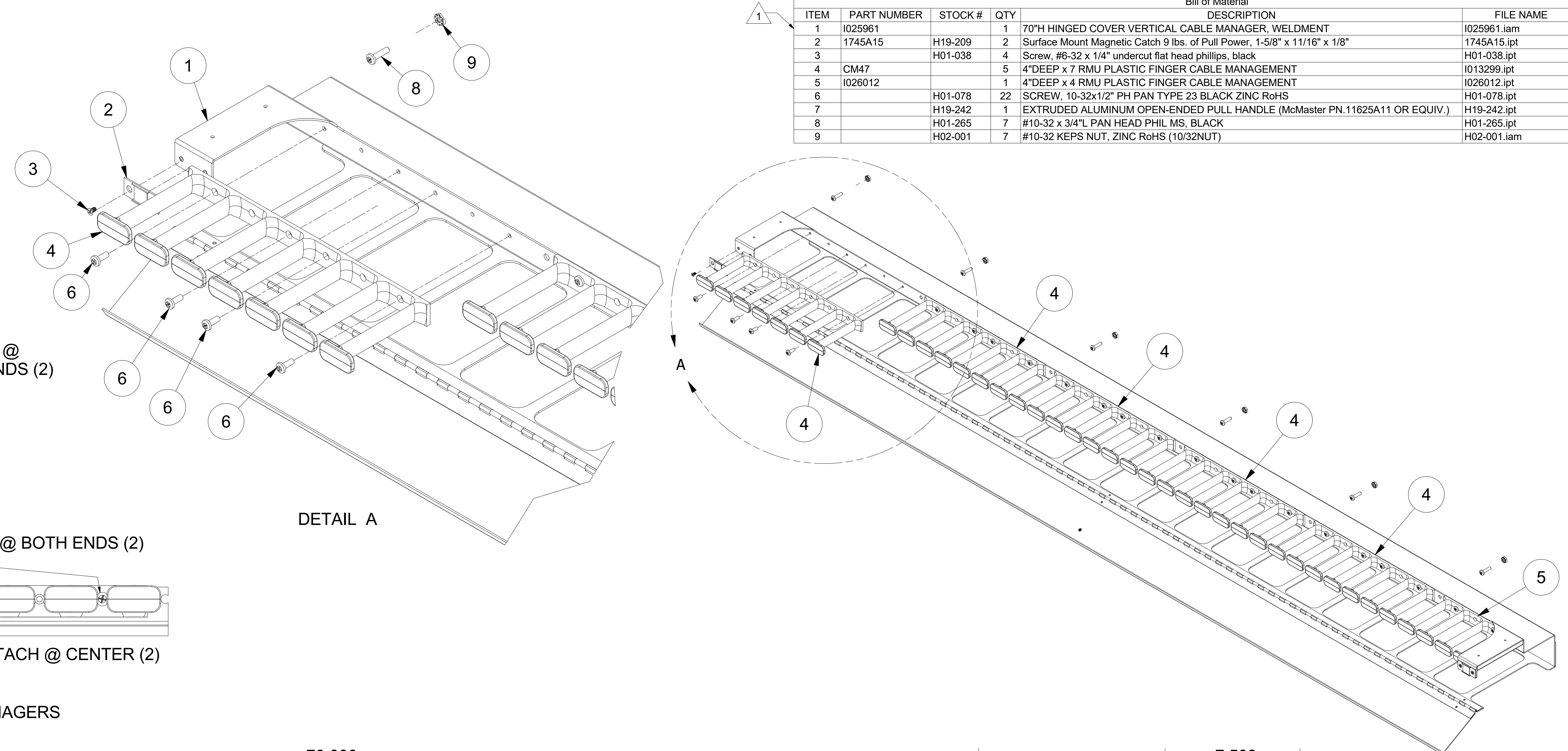


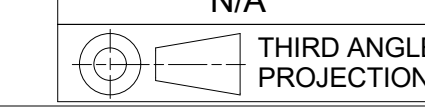
REVISION HISTORY			
REV	DESCRIPTION	DATE	APPROVED
0	ECO-06860	5/13/2016	VL
1	ECO-06962	9/26/2016	VL

Bill of Material						FILE NAME	Rev
ITEM	PART NUMBER	STOCK #	QTY	DESCRIPTION			
1	I025961		1	70"H HINGED COVER VERTICAL CABLE MANAGER, WELDMNT		I025961.iam	1
2	1745A15	H19-209	2	Surface Mount Magnetic Catch 9 lbs. of Pull Power, 1-5/8" x 11/16" x 1/8"		1745A15.ipt	
3		H01-038	4	Screw, #6-32 x 1/4" undercut flat head phillips, black		H01-038.ipt	
4	CM47		5	4"DEEP x 7 RMU PLASTIC FINGER CABLE MANAGEMENT		I013299.ipt	3
5	I026012		1	4"DEEP x 4 RMU PLASTIC FINGER CABLE MANAGEMENT		I026012.ipt	0
6		H01-078	22	SCREW, 10-32x1/2" PH PAN TYPE 23 BLACK ZINC RoHS		H01-078.ipt	-
7		H19-242	1	EXTRUDED ALUMINUM OPEN-ENDED PULL HANDLE (McMaster PN.11625A11 OR EQUIV.)		H19-242.ipt	-
8		H01-265	7	#10-32 x 3/4"L PAN HEAD PHIL MS, BLACK		H01-265.ipt	-
9		H02-001	7	#10-32 KEPS NUT, ZINC RoHS (10/32NUT)		H02-001.iam	-



- NOTES:
- SEE PURCHASE ORDER, SPECIAL INSTRUCTIONS MAY APPLY.
 - INSTALL THE CM47 PLASTIC FINGERS ONTO THE HINGED COVER WELDMNT USING SCREWS INTO THE TAPPED HOLES.
(4) SCREWS PER CM47 AS SHOWN. 4-RMU PLASTIC FINGER (I026012) TO BE SECURED W/ (2) SCREWS
 - CREATE HARDWARE PACK FOR THE (7) HEX NUTS AND (7) SCREWS (ITEMS# 8 & 9), WIRE TIE PACK TO UNIT.
 - INSTALL MAGNETIC CATCH AND PULL HANDLE WITH HARDWARE AS SHOWN.
 - SHIP FLAT ON PALLET. IF NOT INSTRUCTED TO INSTALL ON FRAME FROM P.O.

EST. WEIGHT :
N/A



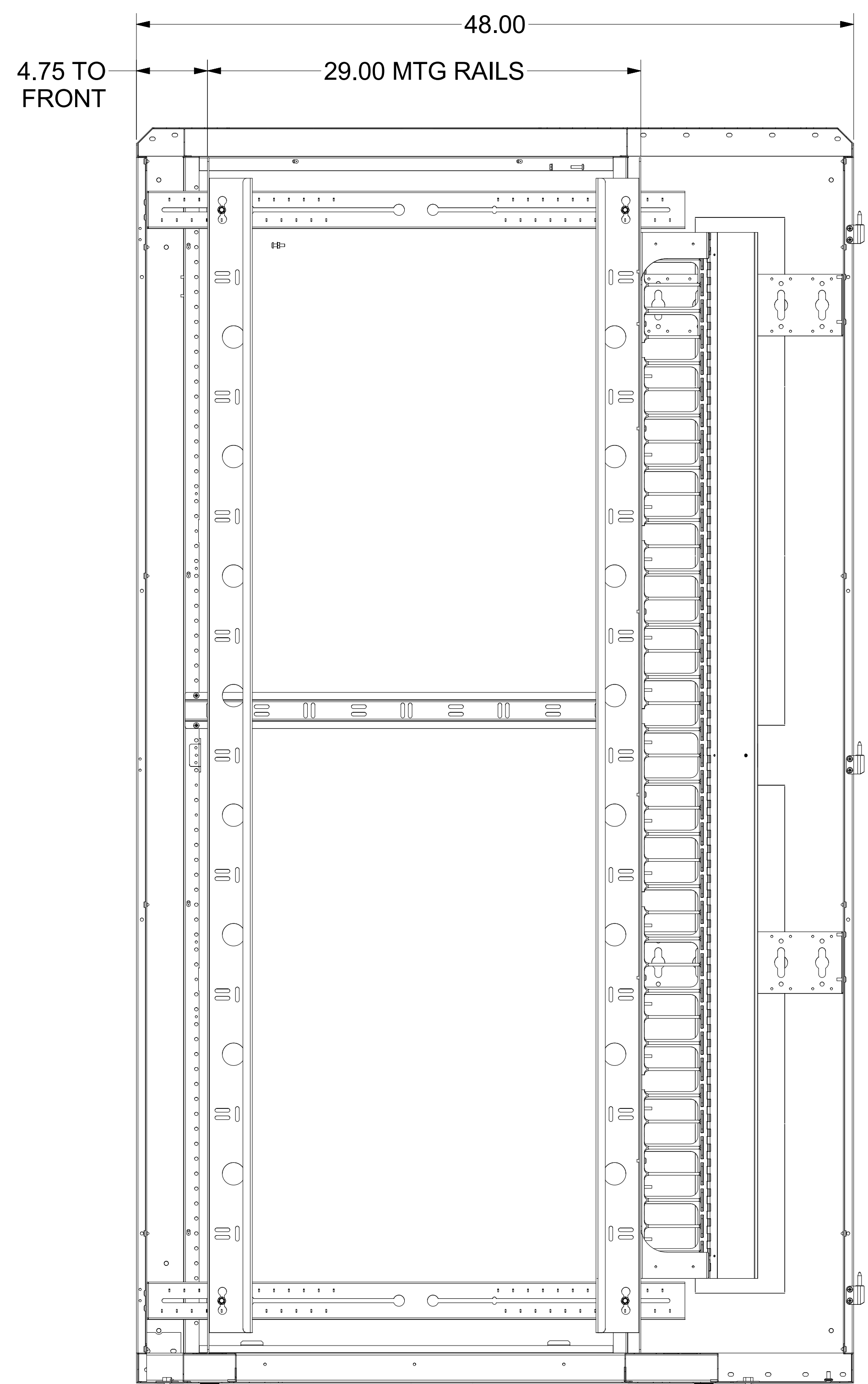
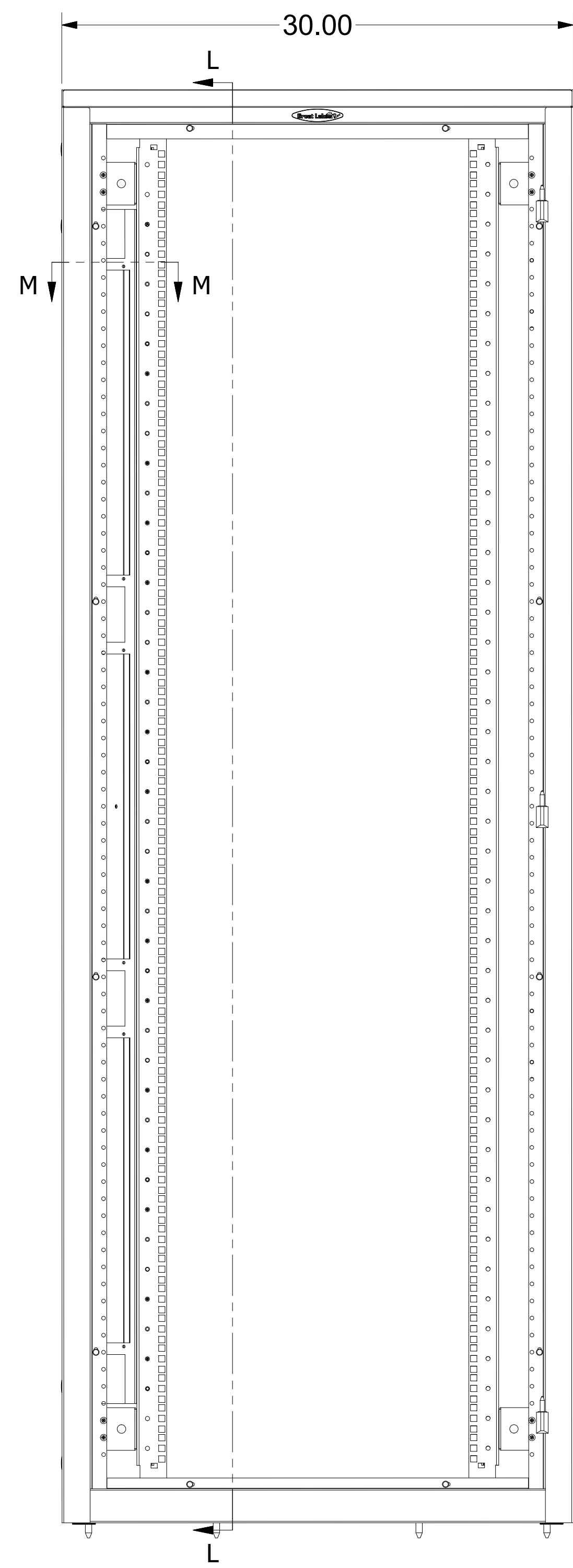
INTERPRET DRAWING PER ASME Y14.5M-1994
DIMENSIONAL LIMITS APPLY
AFTER APPLICATION OF FINISH
DRAWING NOT TO SCALE
TOLERANCE UNLESS OTHERWISE NOTED:
ANGULAR +/- 1°
.XXXX +/- .010
.XXX +/- .015
.XX +/- .030
.X FOR REF. ONLY
UNLESS OTHERWISE SPECIFIED
ALL DIMENSIONS ARE IN INCHES

NOTICE:
Use of this document is subject to a confidentiality and nondisclosure agreement with Great Lakes Case & Cabinet Co., Inc. (GLCC) and may not be reproduced, disclosed or utilized in whole or in part without prior written authorization from GLCC.

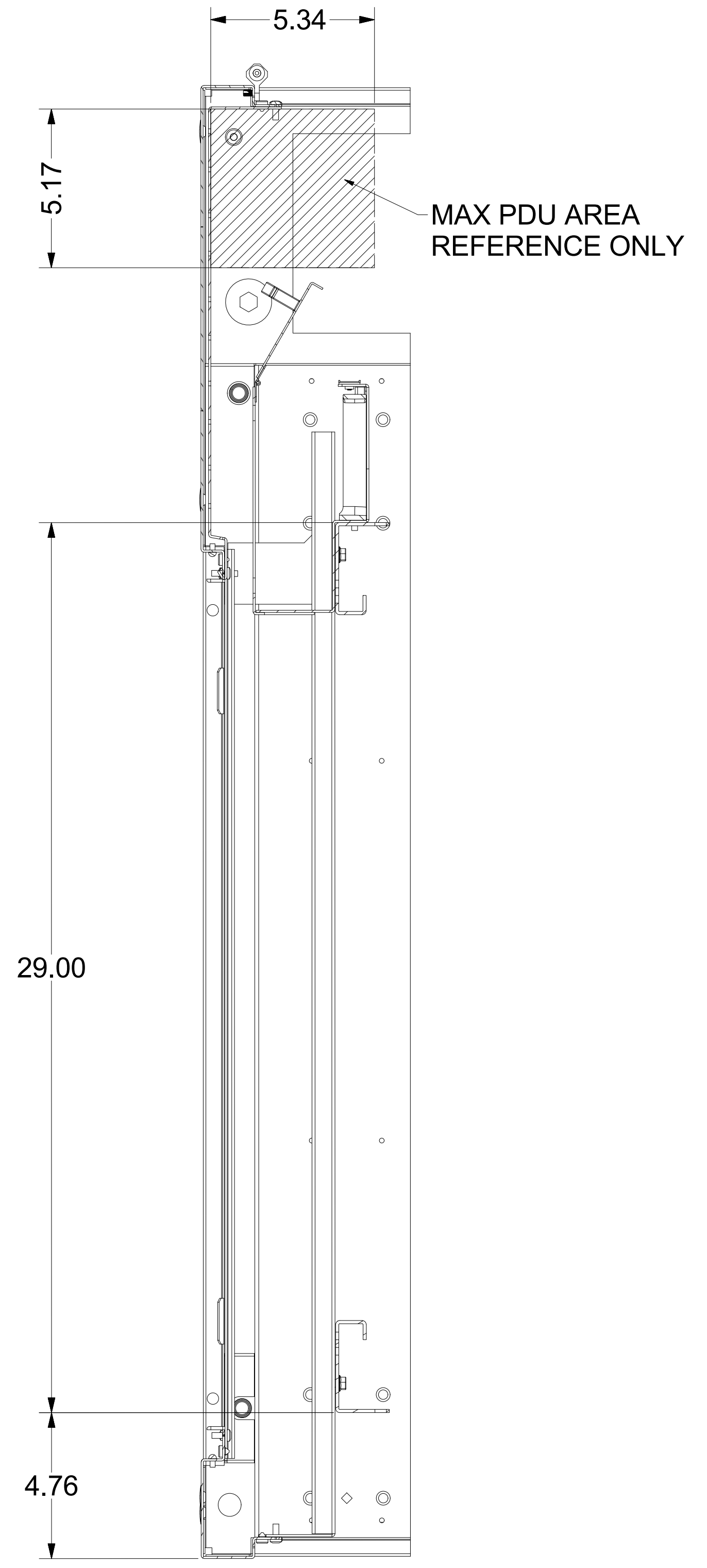
PART NUMBER:
VCM84KX100
QTY PER UNIT:
1
MATERIAL TYPE:
SEE DETAILS
MATERIAL GAUGE:
FINISH:
SEE DETAILS
DRAWN
VL
CHECKED & APP.
WSS
DATE
5/12/2016
DATE
5/24/2016

TITLE
70"H HINGED COVER VERTICAL CABLE MANAGER FOR 84"H 'E'/'ES' ENCLOSURES, VENDOR LEVEL
GREAT LAKES CASE & CABINET CO., INC.
P.O. BOX 551 EDINBORO, PA 16412
PHONE (814) 734-7303 FAX (814) 734-3907
E-MAIL glcc@greatcabinets.com
DWG NO:
I025960
REV
1
SHEET: 1 OF 1

8 7 6 5 4 3 2 1

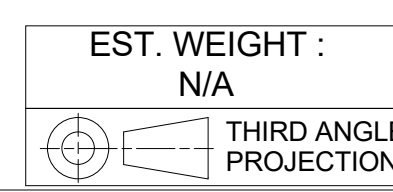


SECTION L-L



SECTION M-M
TOP INSIDE VIEW

48"D ES, VCM84K ON REAR



EST. WEIGHT :
N/A
THIRD ANGLE
PROJECTION

INTERPRET DRAWING PER ASME Y14.5M-1994
DIMENSIONAL LIMITS APPLY
AFTER APPLICATION OF FINISH
DRAWING NOT TO SCALE
TOLERANCE UNLESS OTHERWISE NOTED:
ANGULAR +/- 1'
.XXXX +/- .010
.XXX +/- .015
.XX +/- .030
.X FOR REF. ONLY
UNLESS OTHERWISE SPECIFIED
ALL DIMENSIONS ARE IN INCHES

NOTICE:
Use of this document is subject to a confidentiality and nondisclosure agreement with Great Lakes Case & Cabinet Co., Inc. (GLCC) and may not be reproduced, disclosed or utilized in whole or in part without prior written authorization from GLCC.

PART NUMBER:
MATERIAL TYPE:
MATERIAL GAUGE:
FINISH:
DRAWN VL
CHECKED & APP. DATE

TITLE
SEE CHART
GREAT LAKES CASE & CABINET CO., INC.
P.O. BOX 551 EDINBORO, PA 16412
PHONE (814) 734-7303 FAX (814) 734-3907
E-MAIL glcc@greatcabinets.com
DWG NO: **VCM84K INSTALLED**
REV
DATE

8 7 6 5 4 3 2 1