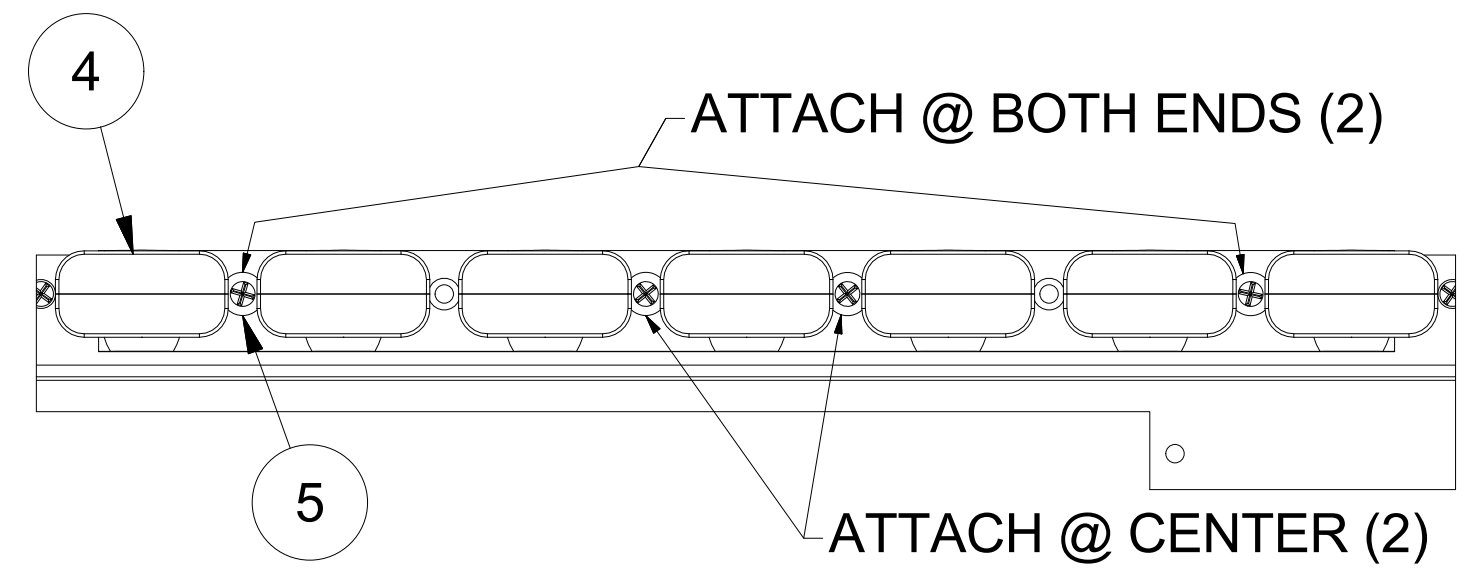
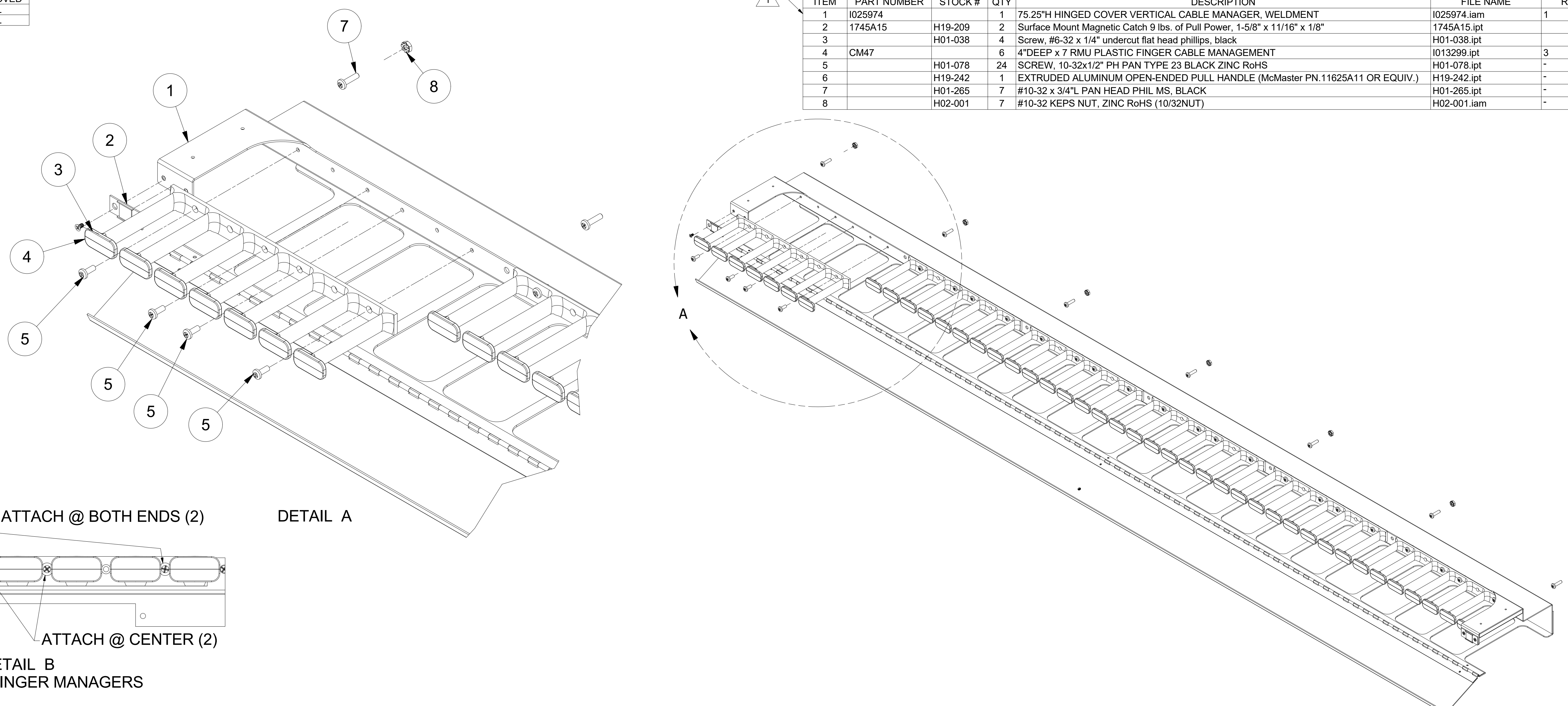
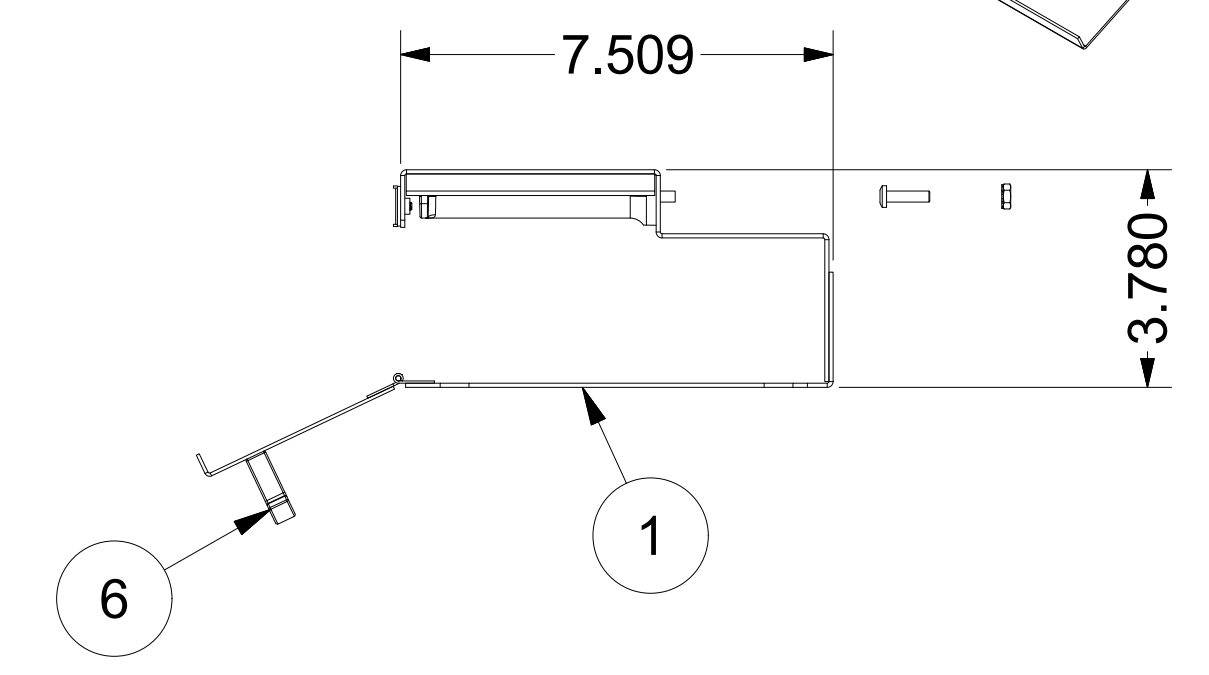
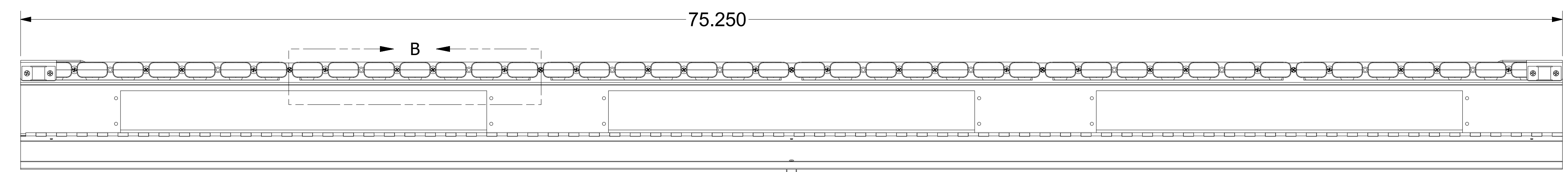


REVISION HISTORY			
REV	DESCRIPTION	DATE	APPROVED
0	ECO-06860	5/13/2016	VL
1	ECO-06962	9/26/2016	VL

Bill of Material						
ITEM	PART NUMBER	STOCK #	QTY	DESCRIPTION	FILE NAME	Rev
1	I025974		1	75.25"H HINGED COVER VERTICAL CABLE MANAGER, WELDMENT	I025974.iam	1
2	1745A15	H19-209	2	Surface Mount Magnetic Catch 9 lbs. of Pull Power, 1-5/8" x 11/16" x 1/8"	1745A15.ipt	-
3		H01-038	4	Screw, #6-32 x 1/4" undercut flat head phillips, black	H01-038.ipt	-
4	CM47		6	4"DEEP x 7 R MU PLASTIC FINGER CABLE MANAGEMENT	I013299.ipt	3
5		H01-078	24	SCREW, 10-32x1/2" PH PAN TYPE 23 BLACK ZINC RoHS	H01-078.ipt	-
6		H19-242	1	EXTRUDED ALUMINUM OPEN-ENDED PULL HANDLE (McMaster PN.11625A11 OR EQUIV.)	H19-242.ipt	-
7		H01-265	7	#10-32 x 3/4" L PAN HEAD PHIL MS, BLACK	H01-265.ipt	-
8		H02-001	7	#10-32 KEPS NUT, ZINC RoHS (10/32NUT)	H02-001.iam	-



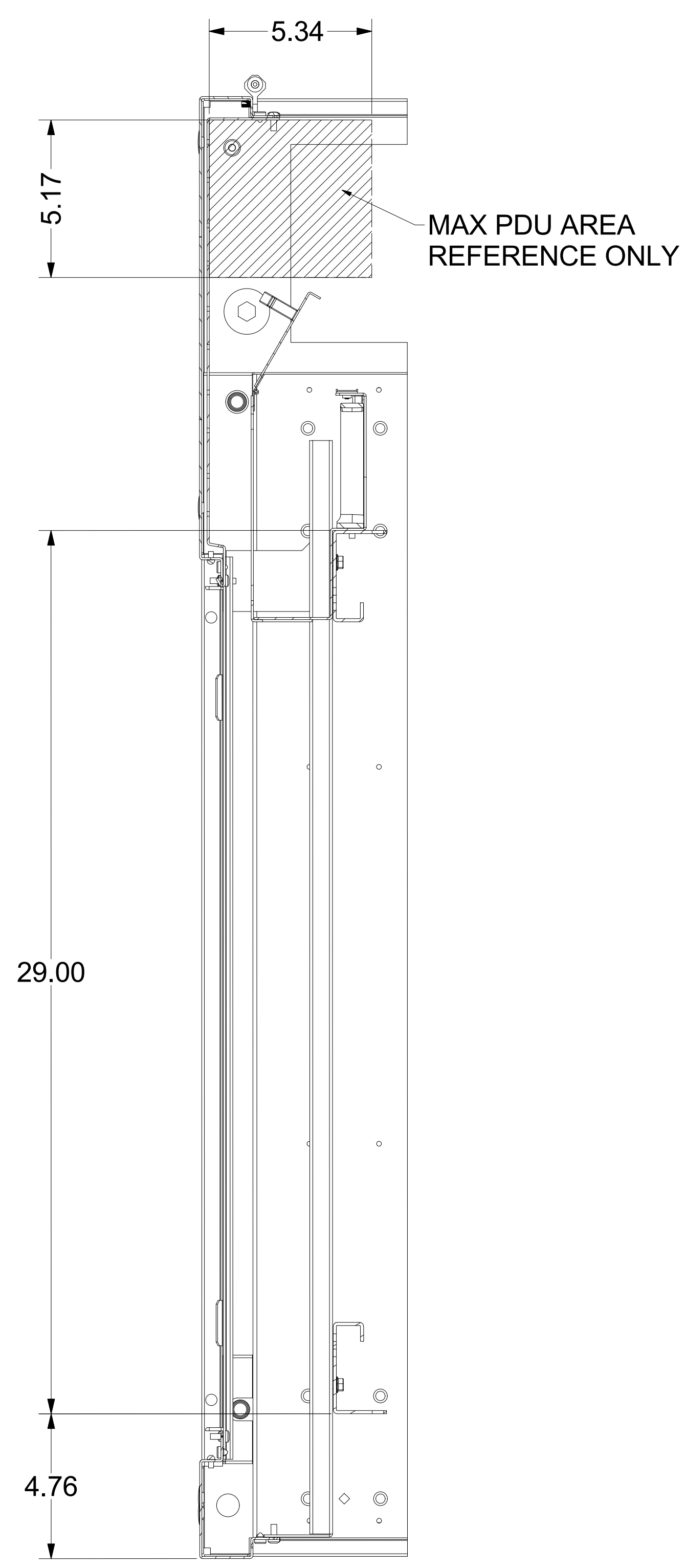
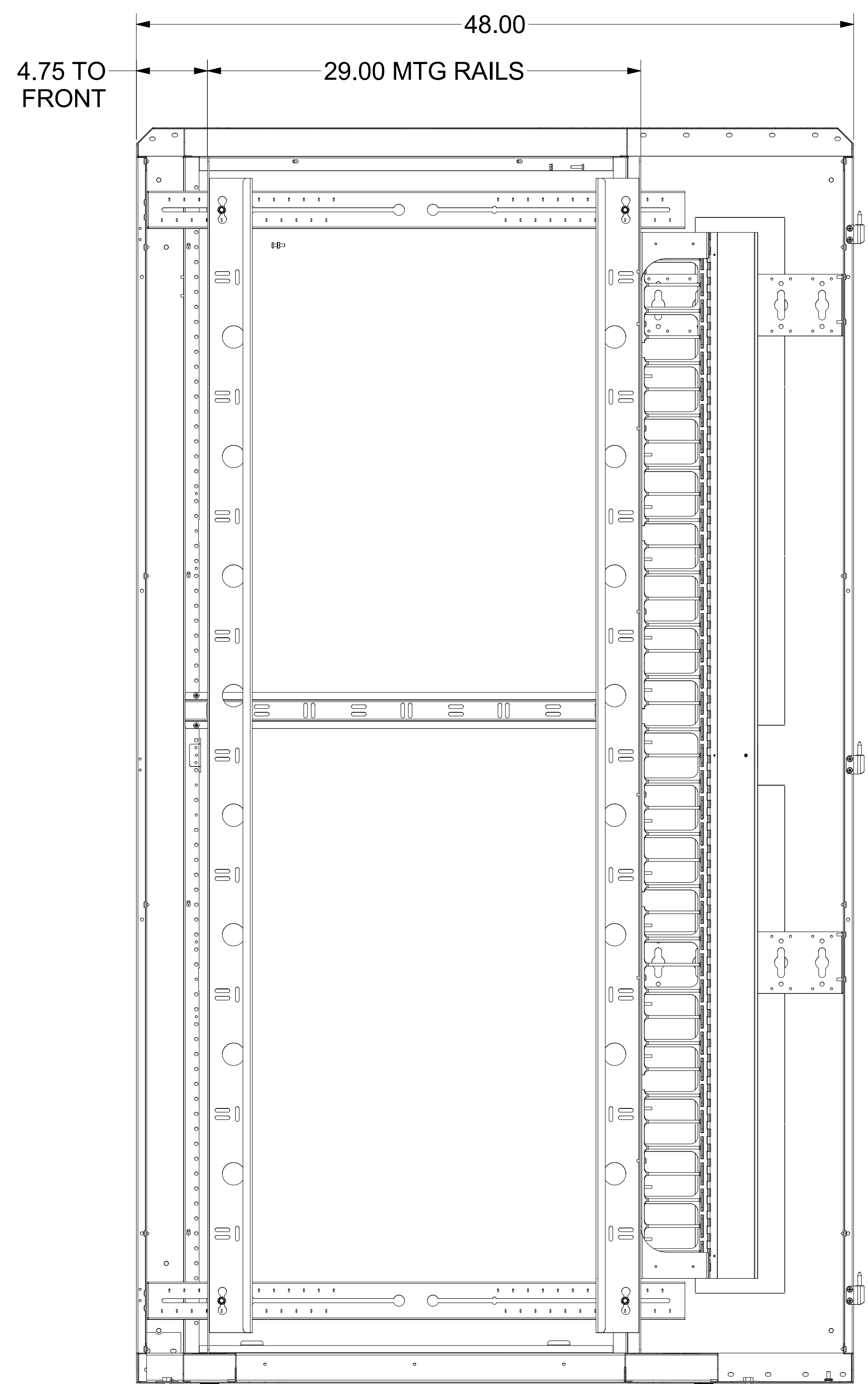
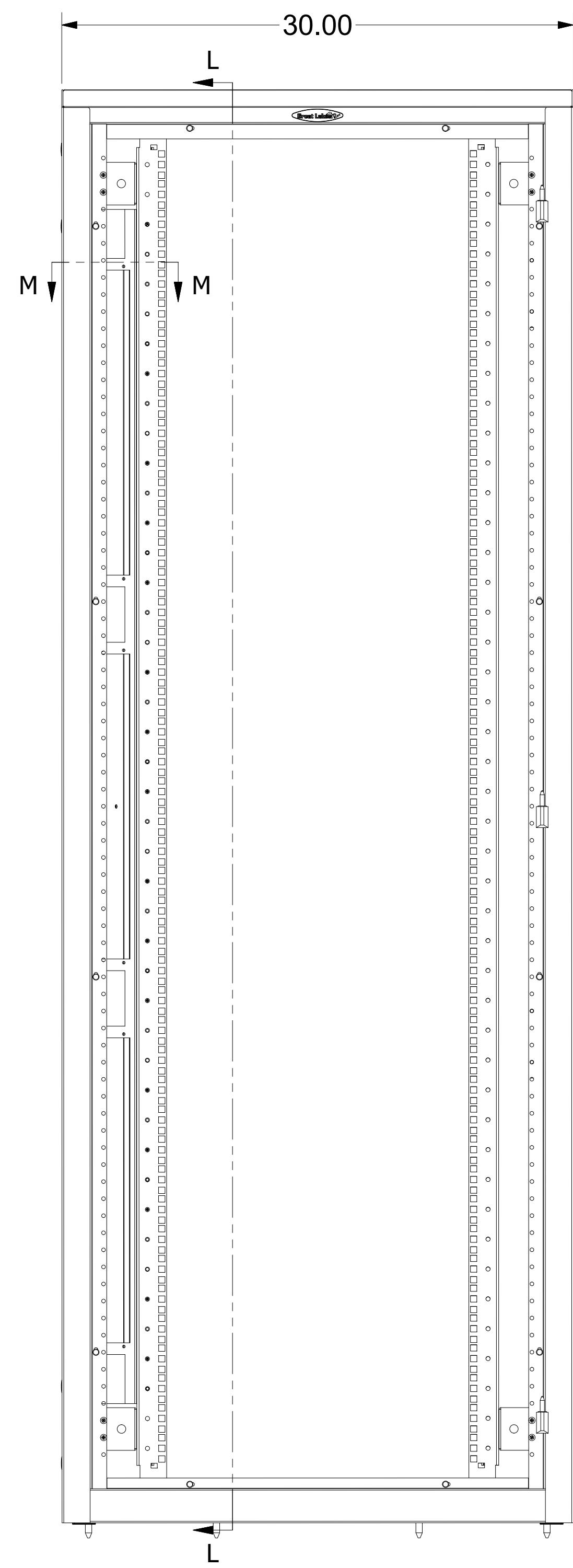
DETAIL B
TYPICAL (6) FINGER MANAGERS



- NOTES:
1. SEE PURCHASE ORDER, SPECIAL INSTRUCTIONS MAY APPLY.
 2. INSTALL THE CM47 PLASTIC FINGERS ONTO THE HINGED COVER WELDMENT USING SCREWS INTO THE TAPPED HOLES. (4) SCREWS PER CM47 AS SHOWN.
 3. CREATE HARDWARE PACK FOR THE (7) HEX NUTS AND (7) SCREWS (ITEMS# 7 & 8), WIRE TIE PACK TO UNIT.
 4. INSTALL MAGNETIC CATCH AND PULL HANDLE WITH HARDWARE AS SHOWN.
 5. SHIP FLAT ON PALLET. IF NOT INSTRUCTED TO INSTALL ON FRAME FROM P.O.

EST. WEIGHT : N/A	INTERPRET DRAWING PER ASME Y14.5M-1994	NOTICE: Use of this document is subject to a confidentiality and nondisclosure agreement with Great Lakes Case & Cabinet Co., Inc. (GLCC) and may not be reproduced, disclosed or utilized in whole or in part without prior written authorization from GLCC.	PART NUMBER: VCM91KX100	TITLE 75.25"H HINGED COVER VERTICAL CABLE MANAGER FOR 91"H 'ES' ENCLOSURES, VENDOR LEVEL
	DIMENSIONAL LIMITS APPLY AFTER APPLICATION OF FINISH DRAWING NOT TO SCALE TOLERANCE UNLESS OTHERWISE NOTED: ANGULAR +/- .1" .XXXX +/- .010 .XXX +/- .015 .XX +/- .030 .X FOR REF. ONLY		QTY PER UNIT: 1	MATERIAL TYPE: SEE DETAILS
THIRD ANGLE PROJECTION	UNLESS OTHERWISE SPECIFIED ALL DIMENSIONS ARE IN INCHES		FINISH: SEE DETAILS	DRAWN VL DATE 5/12/2016 CHECKED & APP. WSS DATE 5/24/2016
			DWG NO: I025973	REV 1
				SHEET: 1 OF 1

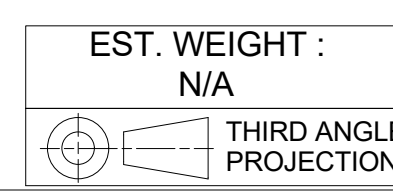
8 7 6 5 4 3 2 1



SECTION M-M
TOP INSIDE VIEW

SECTION L-L

48"D ES, VCM84K ON REAR



EST. WEIGHT :
N/A

INTERPRET DRAWING PER ASME Y14.5M-1994
DIMENSIONAL LIMITS APPLY
AFTER APPLICATION OF FINISH
DRAWING NOT TO SCALE
TOLERANCE UNLESS OTHERWISE NOTED:
ANGULAR +/- 1°
.XXXX +/- .010
.XXX +/- .015
.XX +/- .030
.X FOR REF. ONLY
UNLESS OTHERWISE SPECIFIED
ALL DIMENSIONS ARE IN INCHES

NOTICE:
Use of this document is subject to a confidentiality and nondisclosure agreement with Great Lakes Case & Cabinet Co., Inc. (GLCC) and may not be reproduced, disclosed or utilized in whole or in part without prior written authorization from GLCC.

PART NUMBER:
MATERIAL TYPE:
MATERIAL GAUGE:
FINISH:
DRAWN VL
CHECKED & APP. DATE

TITLE
SEE CHART
GREAT LAKES CASE & CABINET CO., INC.
P.O. BOX 551 EDINBORO, PA 16412
PHONE (814) 734-7303 FAX (814) 734-3907
E-MAIL glcc@greatcabinets.com
DWG NO: VCM84K INSTALLED
REV
SHEET: 7 OF 7

8 7 6 5 4 3 2 1