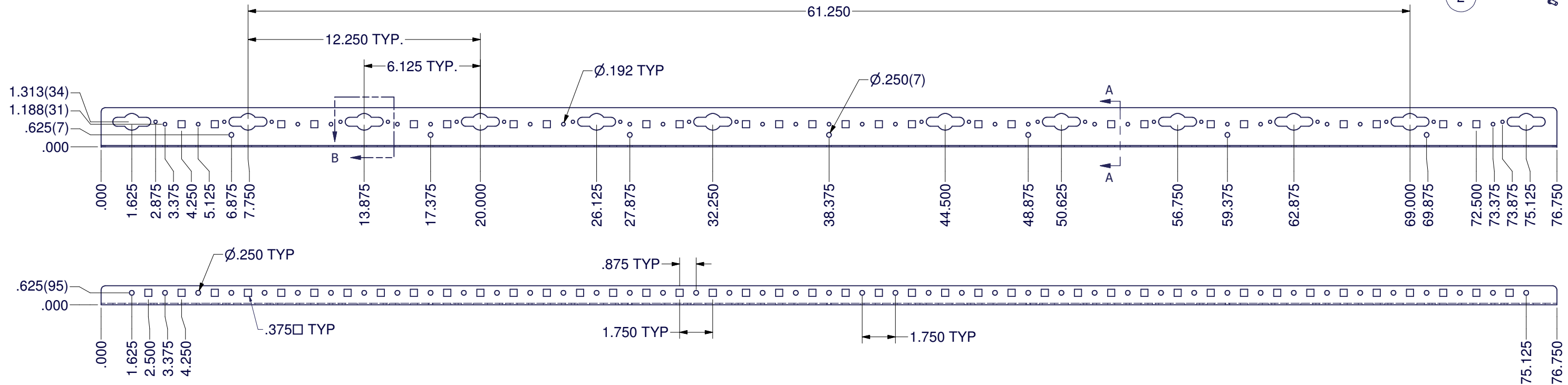
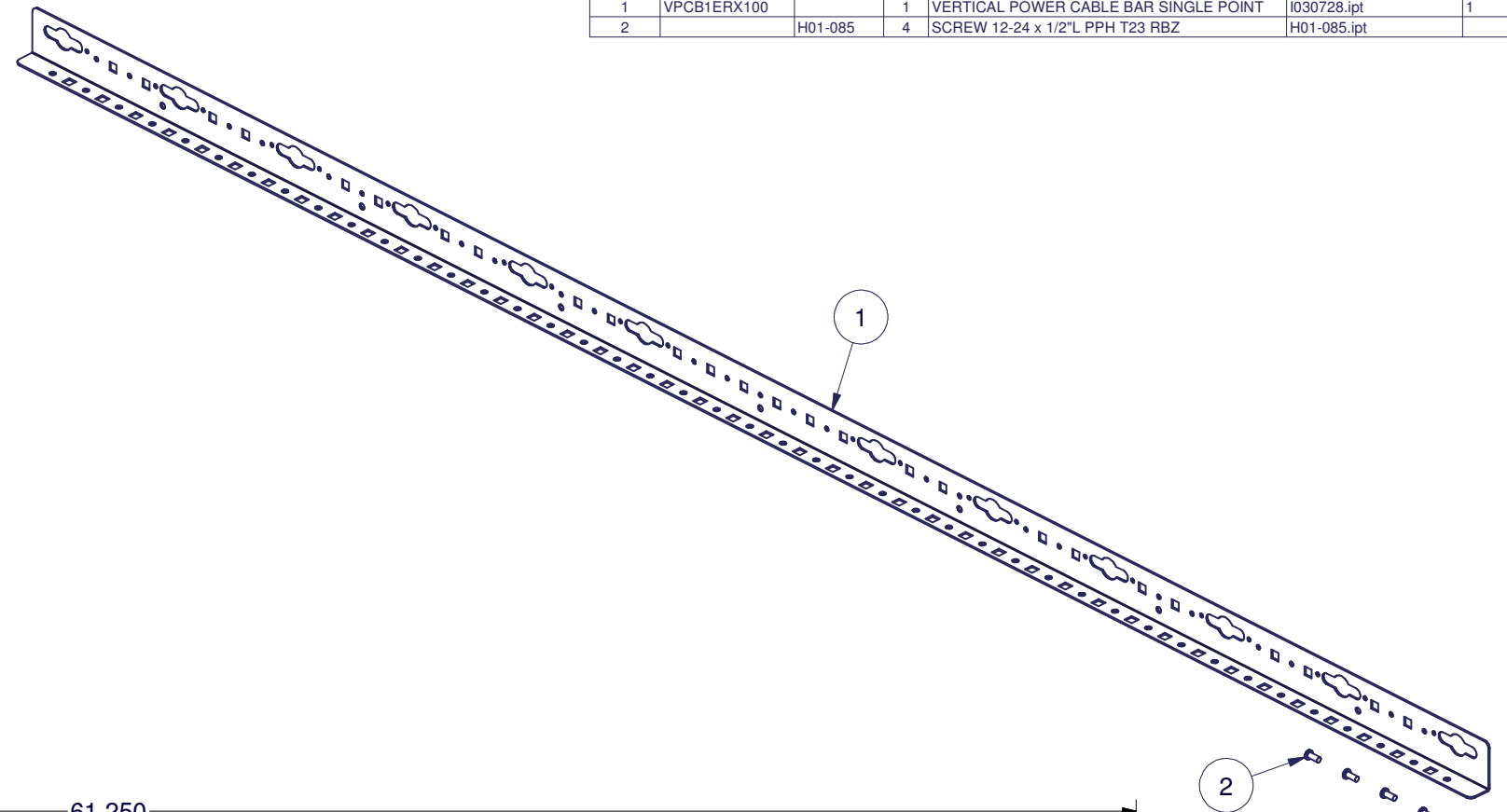
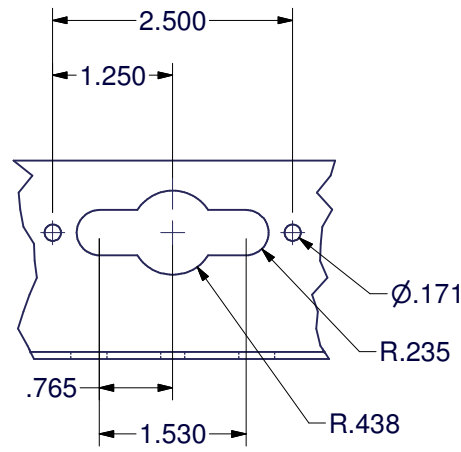
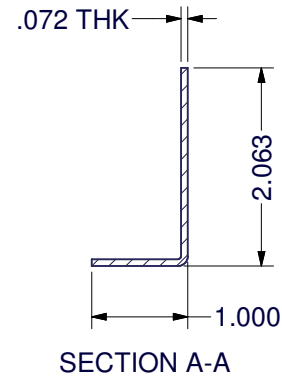


Bill of Material						
ITEM	PART NUMBER	STOCK #	QTY	DESCRIPTION	FILE NAME	Rev
1	VPCB1ERX100		1	VERTICAL POWER CABLE BAR SINGLE POINT	I030728.ipt	1
2		H01-085	4	SCREW 12-24 x 1/2"L PPH T23 RBZ	H01-085.ipt	



SPECIAL NOTES:

- 1) TYPICAL BEND RADIUS = R0.030 x 90° INSIDE UNLESS OTHERWISE NOTED.
- 2) DIMENSIONS APPLY BEFORE APPLICATION OF FINISH: ADD .005" TO EACH SURFACE FOR INSPECTION.
- 3) ALL LASER CUTS TO HAVE "NORMAL" PROCESSING!
- 4) FINISH PER TD-09-103 (POWDER COAT), CLASS B, TEXTURE LEVEL 3, ALL SURFACES UNLESS OTHERWISE NOTED.
- 5) PAC HARDWARE & KIT TOGETHER



INTERPRET DRAWING PER ASME Y14.5M-1994
DIMENSIONAL LIMITS APPLY AFTER APPLICATION OF FINISH
DRAWING NOT TO SCALE
TOLERANCE UNLESS OTHERWISE NOTED:
ANGULAR +/- 1'
.XXXX +/- .010
.XXX +/- .015
.XX +/- .030
X FOR REF. ONLY
UNLESS OTHERWISE SPECIFIED ALL DIMENSIONS ARE IN INCHES

NOTICE:
Use of this document is subject to a confidentiality and nondisclosure agreement with Great Lakes Case & Cabinet Co., Inc. (GLCC) and may not be reproduced, disclosed or utilized in whole or in part without prior written authorization from GLCC.

PART NUMBER: VPCB1ERX100	TITLE: VERTICAL POWER CABLE BAR SINGLE POINT
MATERIAL TYPE: CRS	GREAT LAKES CASE & CABINET CO., INC. P.O. BOX 551 EDINBORO, PA 16412 PHONE (814) 734-7303 FAX (814) 734-3907 E-MAIL glcc@greatcabinets.com
MATERIAL GAUGE: SEE NOTES	
DRAWN CND	DATE 5/9/2019
CHECKED & APP. CND	DATE 1/14/20
DWG NO: VPCB	REV 1
SHEET: 1 OF 1	