

REVISION HISTORY			
REV	DESCRIPTION	DATE	APPROVED
0	ECC-02686	10/13/2009	CD

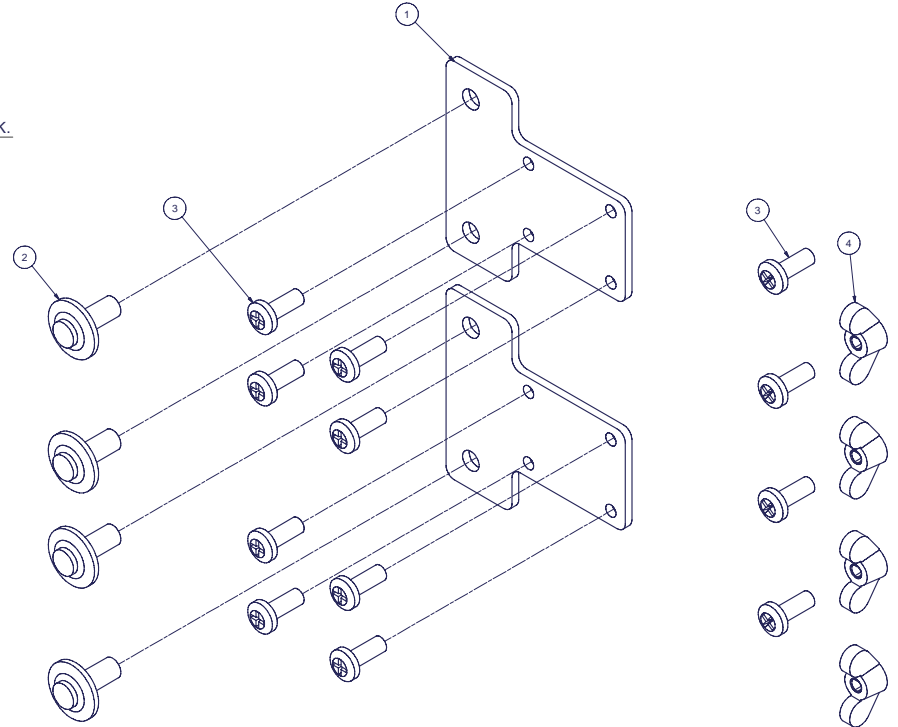
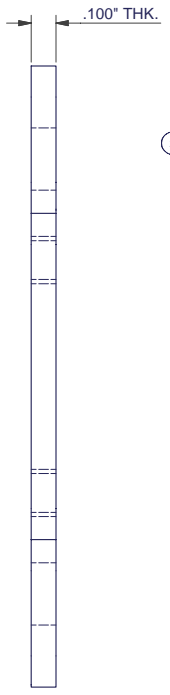
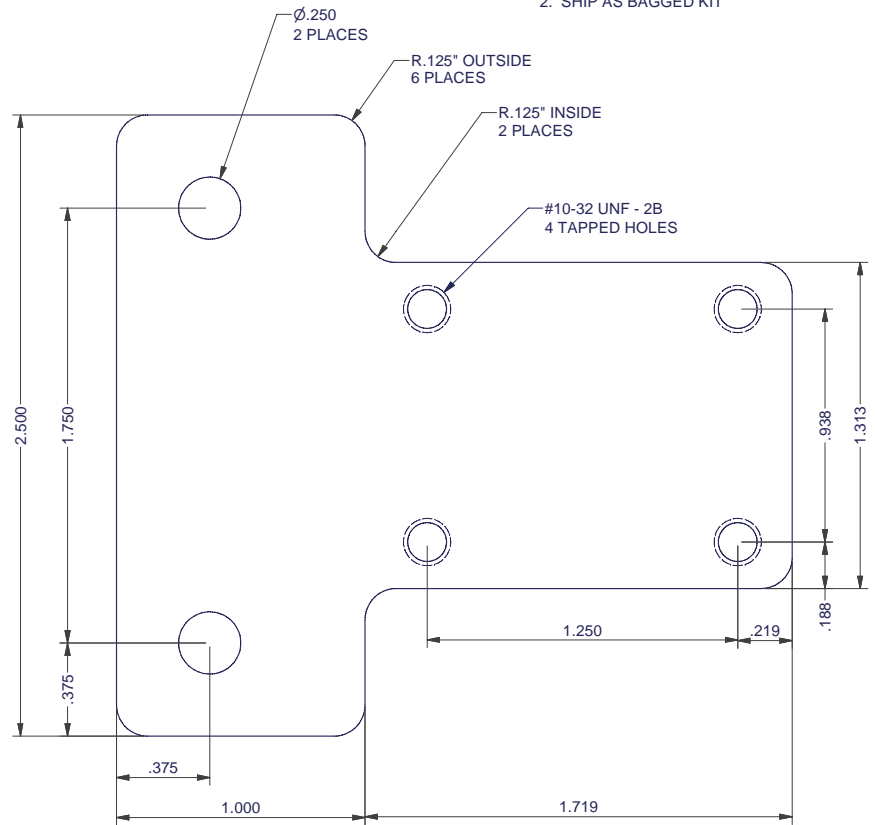
SPECIAL NOTES:

1. FINISH PER TD-09-103 (POWDER COAT), CLASS B, TEXTURE LEVEL 3 - ALL SURFACES UNLESS OTHERWISE NOTED.
2. CREATE HARDWARE PACK & PLACE BRACKETS & PACK A CLEAR PLASTIC BAG ALONG WITH A COPY OF THIS DRAWING & LABEL WITH PART NUMBER.
3. DIMENSIONS APPLY BEFORE APPLICATION OF FINISH: ADD .005" TO EACH SURFACE FOR INSPECTION.

PACKAGING NOTES:

1. BAG ALL ITEMS TOGETHER WITH EXTRA HARDWARE AND COPY OF DRAWING.
2. SHIP AS BAGGED KIT

Bill of Material						
ITEM	PART NUMBER	STOCK NUMBER	QTY	DESCRIPTION	FILE NAME	REVISION
1	ZR1X100		2	ZERO RACK UNIT BRACKET, 1 RMU WIDTH	I011028.ipt	0
2	30063008-05004D		4	PANEL FASTENER, TUFLOK, ITW-FASTEX, OR EQUIV.	30063008-05004D.ipt	-
3	H01-078	H01-078	12	SCREW, 10-32x1/2", PH PAN TYPE Z3 BLACK OXIDE/WAX RoHS (SCR1032X500BLK)	H01-078.ipt	-
4	10/32WING		4	#10-32 WING NUT 22N308616	10-32WING.ipt	-
5			1	COPY OF THIS DRAWING AS INSTRUCTION SHEET (DOUBLE SIDED)		-



INTERPRET DRAWING PER ASME Y14.5M-1994
DIMENSIONAL LIMITS APPLY AFTER APPLICATION OF FINISH
DRAWING NOT TO SCALE
TOLERANCE UNLESS OTHERWISE NOTED: ANGULAR +/- 1' XXX +/- .010 XXX +/- .015 XX +/- .030 X FOR REF. ONLY
UNLESS OTHERWISE SPECIFIED ALL DIMENSIONS ARE IN INCHES

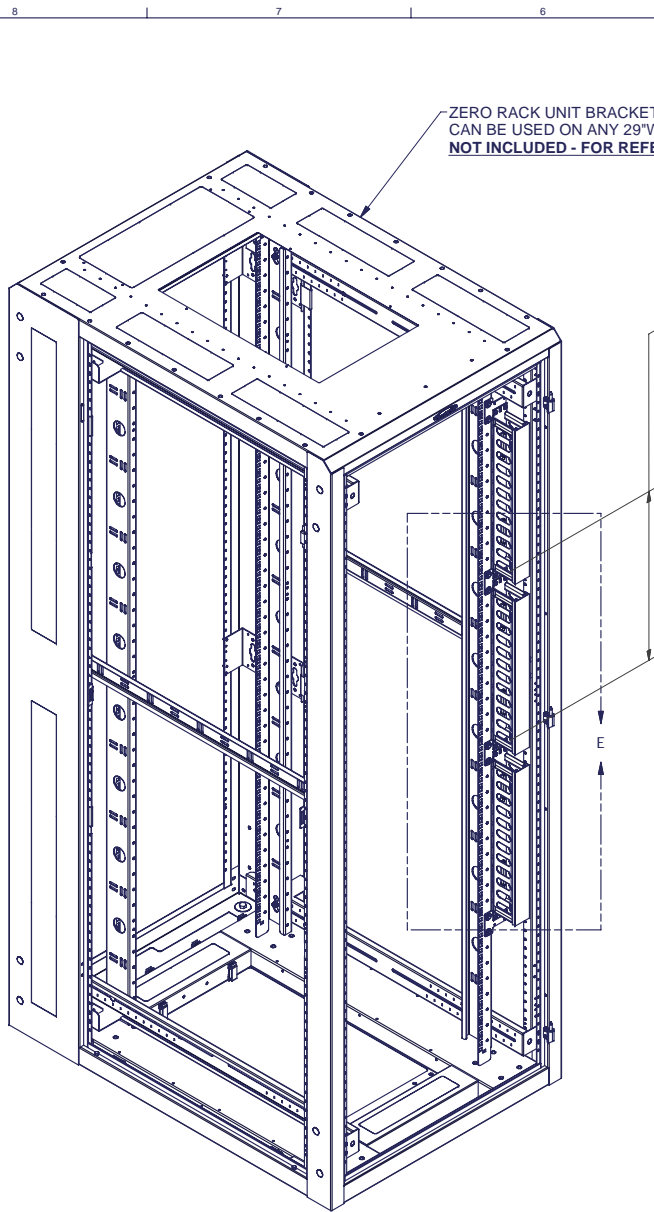
NOTICE:

Use of this document is subject to a confidentiality and nondisclosure agreement with Great Lakes Case & Cabinet Co., Inc. (GLCC) and may not be reproduced, disclosed or utilized in whole or in part without prior written authorization from GLCC.

PART NUMBER: ZR1X200	TITLE: ZERO RACK UNIT BRACKET KIT, 1 RMU WIDTH
QTY PER UNIT: 1	MATERIAL TYPE: CRS
MATERIAL GAUGE:	FINISH: SEE NOTES
DRAWN CD	DATE 10/8/2009
CHECKED & APP. WSS	DATE 10/13/09
DWG NO: I011028	REV: 0
SHEET: 1 OF 2	



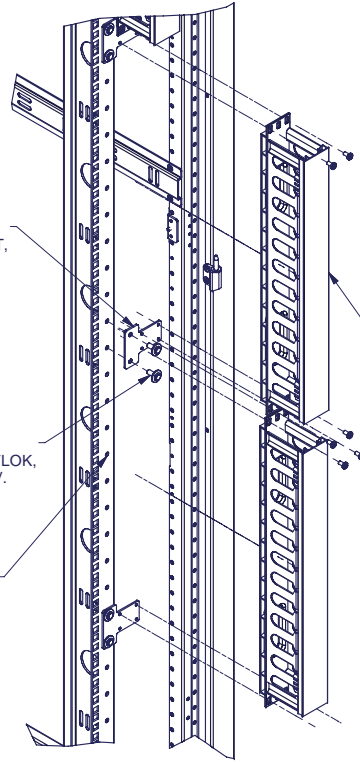
GREAT LAKES CASE & CABINET CO., INC.
P.O. BOX 551 EDINBORO, PA 16412
PHONE (814) 734-7303 FAX (814) 734-3907
E-MAIL glcc@greatlakescabinets.com



ZERO RACK UNIT BRACKETS
CAN BE USED ON ANY 29" WIDE "E" OR 30" WIDE "ES" SERIES FRAMES
NOT INCLUDED - FOR REFERENCE ONLY

ZERO RACK UNIT
VERTICAL MOUNTING
19" EIA.

2 KITS WILL PROVIDE 3 ZERO RMU MOUNTING SPACE



ZR1X100
ZERO RACK UNIT BRACKET,
1 RMU WIDTH

30063008-05004D
PANEL FASTENER, TUFLOK,
ITW-FASTEX, OR EQUIV.

GREAT LAKES'
FLEXIBLE MOUNTING PROFILE

CM-16
SINGLE-SIDED CABLE ORGANIZER
WITH PLASTIC FINGERS & COVER
NOT INCLUDED - FOR REFERENCE ONLY

DETAIL E

INTERPRET DRAWING PER ASME Y14.5M-1994		NOTICE:		PART NUMBER: ZR1X200		TITLE: ZERO RACK UNIT BRACKET KIT, 1 RMU WIDTH	
DIMENSIONAL LIMITS APPLY AFTER APPLICATION OF FINISH		Use of this document is subject to a confidentiality and nondisclosure agreement with Great Lakes Case & Cabinet Co., Inc. (GLCC) and may not be reproduced, disclosed or utilized in whole or in part without prior written authorization from GLCC.		QTY PER UNIT: 1		GREAT LAKES CASE & CABINET CO., INC. P.O. BOX 551 EDINBORO, PA 16412 PHONE (814) 734-7303 FAX (814) 734-3907 E-MAIL glcc@greatscabinets.com	
DRAWING NOT TO SCALE				MATERIAL TYPE: CRS			
TOLERANCE UNLESS OTHERWISE NOTED: ANGULAR +/- 1' XXX +/- .010 XXX +/- .015 XX +/- .030 X FOR REF. ONLY				MATERIAL GAUGE			
UNLESS OTHERWISE SPECIFIED ALL DIMENSIONS ARE IN INCHES		FINISH: SEE NOTES		DRAWN CD		DATE 10/8/2009	
THIRD ANGLE PROJECTION		CHECKED & APP: WSS		DATE 10/14/09		DWG NO: I011028	
						REV 0	
						SHEET: 2 OF 2	