

REVISION HISTORY			
REV	DESCRIPTION	DATE	APPROVED
0	ECC-02686	10/13/2009	CD

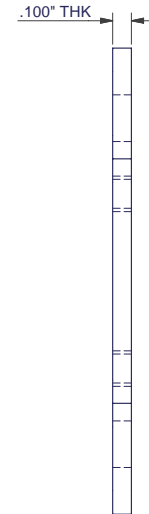
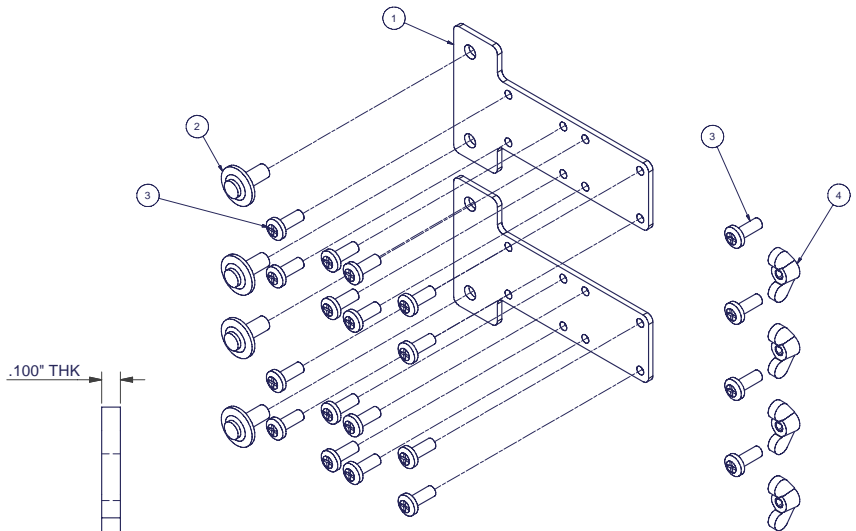
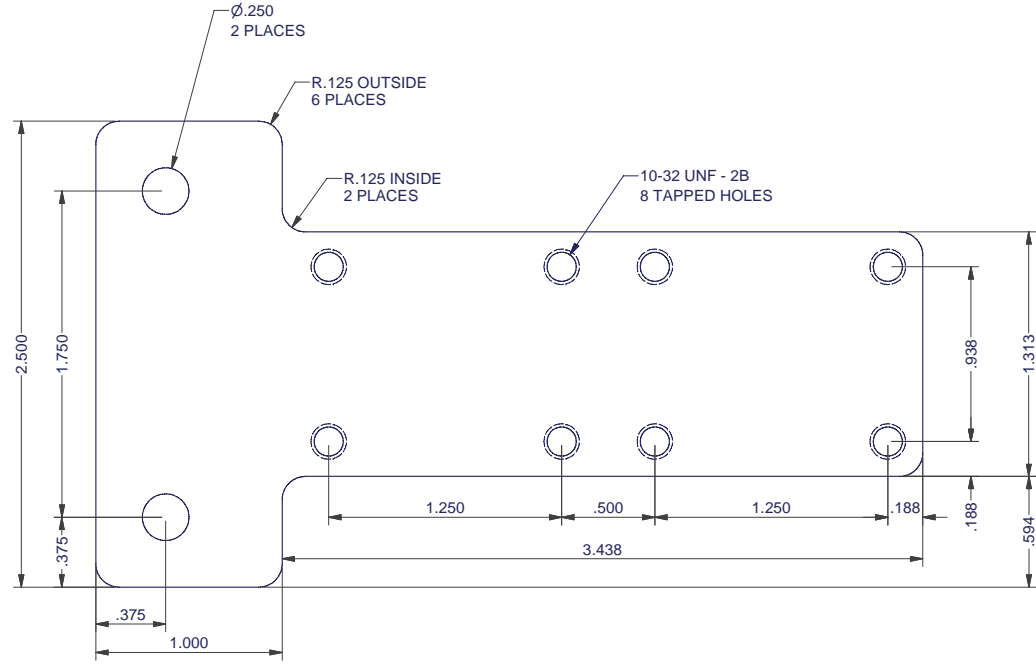
Bill of Material						
ITEM	PART NUMBER	STOCK NUMBER	QTY	DESCRIPTION	FILE NAME	REVISION
1	ZR2X100		2	ZERO RACK BRACKET, 2 RMU WIDTH.	I011029.ipt	0
2	30063008-05004D		4	PANEL FASTENER, TUFLOK, ITW-FASTEX, OR EQUIV.	30063008-05004D.ipt	-
3	H01-078	H01-078	20	SCREW, 10-32x1/2" PH PAN TYPE Z3 BLACK OXIDE/WAX RoHS (SCR1032X500BLK)	H01-078.ipt	-
4	10/32WING		4	#10-32 WING NUT 22N38616	10-32WING.ipt	-
5	-	-	1	COPY OF THIS DRAWING AS INSTRUCTION SHEET (DOUBLE SIDED)	-	-

**SPECIAL NOTES:**

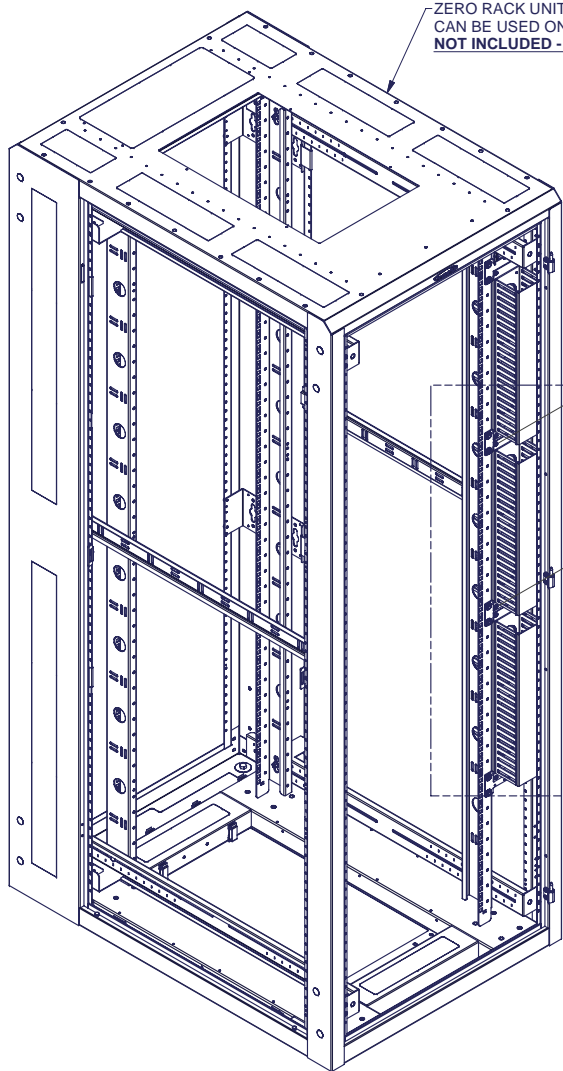
1. FINISH PER TD-09-103 (POWDER COAT), CLASS B, TEXTURE LEVEL 3 - ALL SURFACES UNLESS OTHERWISE NOTED.
2. CREATE HARDWARE PACK & PLACE BRACKETS & PACK A CLEAR PLASTIC BAG ALONG WITH A COPY OF THIS DRAWING & LABEL WITH PART NUMBER.
3. DIMENSIONS APPLY BEFORE APPLICATION OF FINISH: ADD .005" TO EACH SURFACE FOR INSPECTION.

**PACKAGING NOTES:**

1. BAG ALL ITEMS TOGETHER WITH EXTRA HARDWARE AND COPY OF DRAWING.
2. SHIP AS BAGGED KIT



INTERPRET DRAWING PER ASME Y14.5M-1994 DIMENSIONAL LIMITS APPLY AFTER APPLICATION OF FINISH DRAWING NOT TO SCALE TOLERANCE UNLESS OTHERWISE NOTED: ANGULAR ± .1° .XXX ± .010 .XXX ± .015 .XX ± .030 X FOR REF. ONLY		<b>NOTICE:</b> Use of this document is subject to a confidentiality and nondisclosure agreement with Great Lakes Case & Cabinet Co., Inc. (GLCC) and may not be reproduced, disclosed or utilized in whole or in part without prior written authorization from GLCC.		PART NUMBER: <b>ZR2X200</b> QTY PER UNIT: 1 MATERIAL TYPE: CRS MATERIAL GAUGE: FINISH: SEE NOTES		TITLE: <b>ZERO RACK UNIT BRACKET KIT, 2 RMU WIDTH</b> GREAT LAKES CASE & CABINET CO., INC. P.O. BOX 551 EDINBORO, PA 16412 PHONE (814) 734-7303 FAX (814) 734-3907 E-MAIL glcc@greatscabinets.com	
THIRD ANGLE PROJECTION		UNLESS OTHERWISE SPECIFIED ALL DIMENSIONS ARE IN INCHES		DRAWN: CD CHECKED & APP: WSS DATE: 10/8/2009 DATE: 10/13/09		DWG NO: I011029 REV: 0 SHEET: 1 OF 2	



ZERO RACK UNIT BRACKETS  
CAN BE USED ON ANY 29"WIDE "E" OR 30" WIDE "ES" SERIES FRAMES  
**NOT INCLUDED - FOR REFERENCE ONLY**

ZERO RACK UNIT  
VERTICAL MOUNTING  
19"EIA.

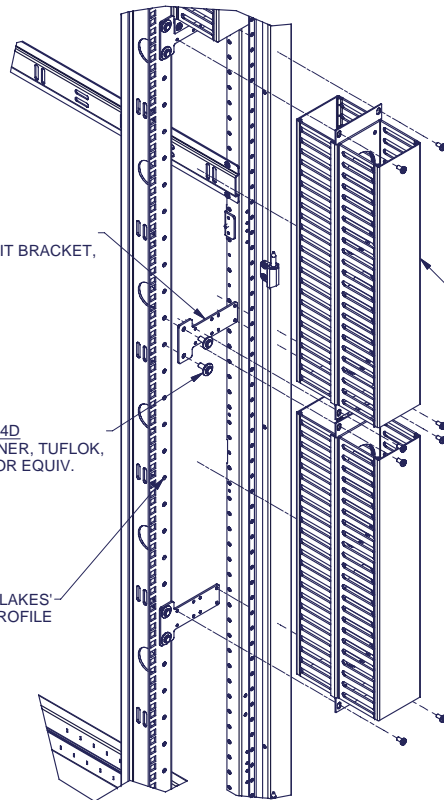
2 KITS WILL PROVIDE 6 ZERO RMU MOUNTING SPACE

ZR2X100  
ZERO RACK UNIT BRACKET,  
2 RMU WIDTH

30063008-05004D  
PANEL FASTENER, TUFLOK,  
ITW-FASTEX, OR EQUIV.

GREAT LAKES'  
FLEXIBLE MOUNTING PROFILE

CM-15  
DOUBLE SIDED CABLE ORGANIZER  
W/ PLASTIC FINGERS & COVER, 2 RMU  
**NOT INCLUDED - FOR REFERENCE ONLY**



DETAIL E

INTERPRET DRAWING PER ASME Y14.5M-1994

DIMENSIONAL LIMITS APPLY  
AFTER APPLICATION OF FINISH  
DRAWING NOT TO SCALE  
TOLERANCE UNLESS OTHERWISE NOTED:  
ANGULAR ± .1°  
XXX ± .010  
XXX ± .015  
XXX ± .030  
X FOR REF. ONLY

UNLESS OTHERWISE SPECIFIED  
ALL DIMENSIONS ARE IN INCHES

**NOTICE:**

Use of this document is subject to a confidentiality and nondisclosure agreement with Great Lakes Case & Cabinet Co., Inc. (GLCC) and may not be reproduced, disclosed or utilized in whole or in part without prior written authorization from GLCC.

PART NUMBER:  
**ZR2X200**  
QTY PER UNIT: 1  
MATERIAL TYPE: CRS  
MATERIAL GAUGE:  
FINISH: SEE NOTES

DRAWN: CD  
DATE: 10/8/2009  
CHECKED & APP: WSS  
DATE: 10/13/09

TITLE:  
**ZERO RACK UNIT BRACKET KIT, 2 RMU WIDTH**  
GREAT LAKES CASE & CABINET CO., INC.  
P.O. BOX 551 EDINBORO, PA 16412  
PHONE: (814) 734-7303 FAX: (814) 734-3907  
E-MAIL: glcc@greatlakescabinets.com

DWG NO: **I011029**  
REV: 0  
SHEET: 2 OF 2

