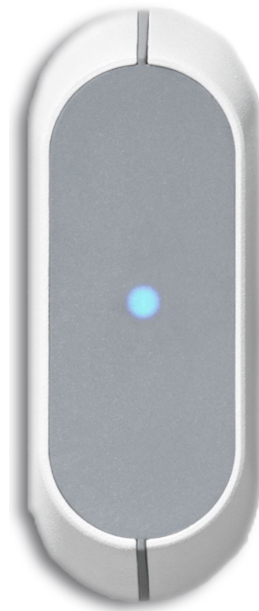




SERIOUS DATA SECURITY.
REAL SERIOUS.

SEAL-E5000

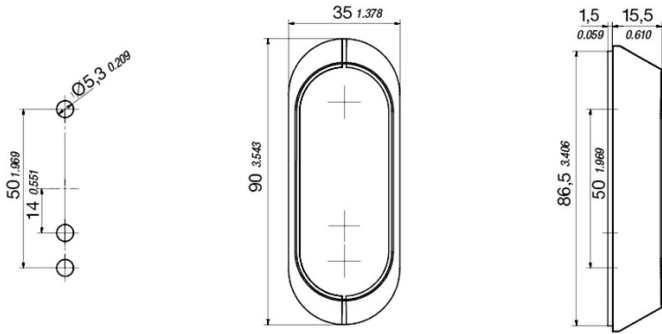


RFID ACCESS CONTROL FOR OUTDOOR CABINETS

- Managed with SEAL Software Administration Suite
- LED light provides visualization of lock status
- Can be used with 125kHz HID Prox RFID cards or 13.56MHz HID iClass, Mifare DESFire EV1, Mifare DESFire EV2 cards
- Can store up to 2,000 transponders
- Storage capacity for 500 offline events and 30 time profiles
- TCP/IP Ethernet

See back page for handle specs

DIMENSIONS



LED STATUS



SEAL-MLE5000 TECHNICAL SPECIFICATIONS

Power Supply: 12/24/48 V ± 10% (DC)(use the appropriate power supply for the connected lock)

Bias-Current: 40mA (DC)

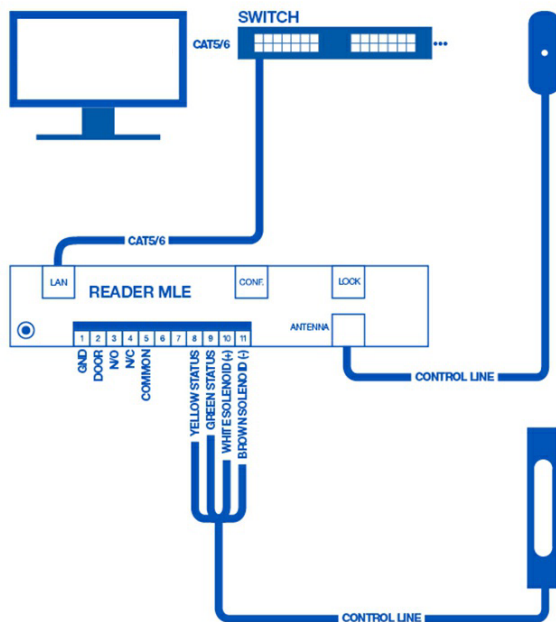
Max current rating: RJ12 – 1.4A (DC)

Max current rating: Terminal – 3A (DC)

Operating Temperature: -20C to +70C IP65 according to

DIN EN 60529

CONNECTIONS



The SEAL-E5000 antenna communicates via the TCP / IP protocol across the network directly to the Administration Suite Software platform. Each controller receives its own IP address and UID. This system allows users to control third party locks such as magnetic, electric strikes or SEAL-E1102 electronic handle for outdoor/industrial applications. Ideal applications include OSP equipment, telecommunications enclosures, storage lockers or building doors.