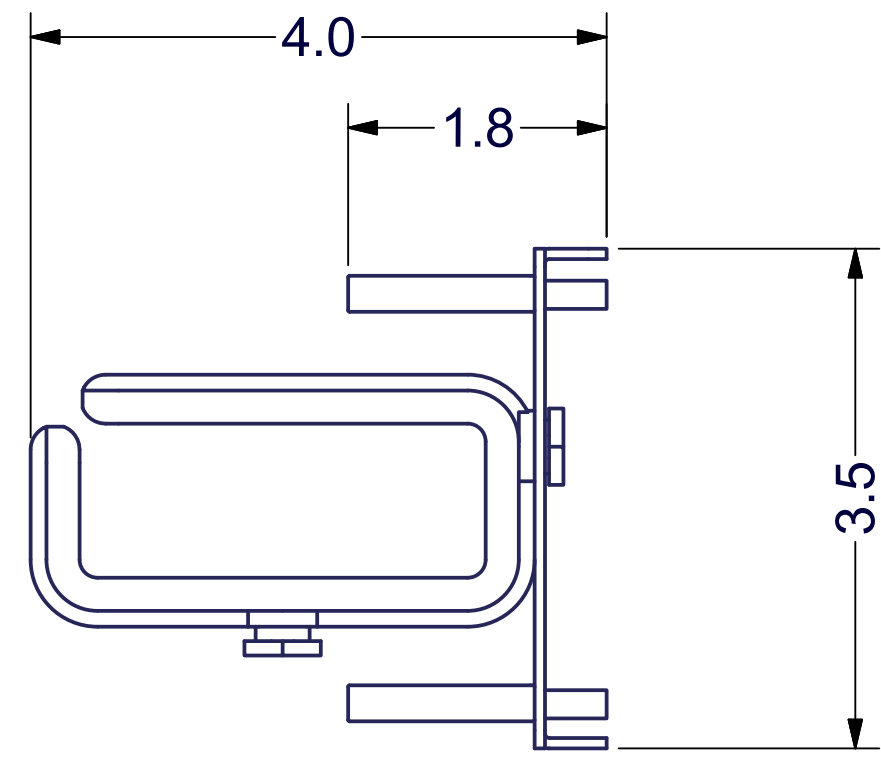
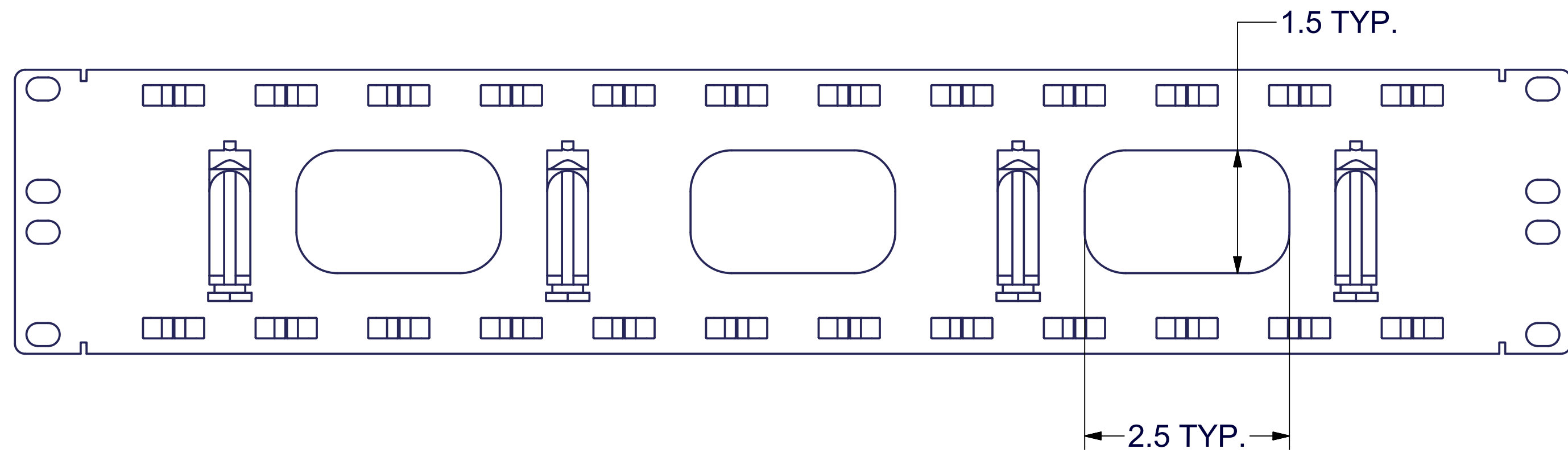
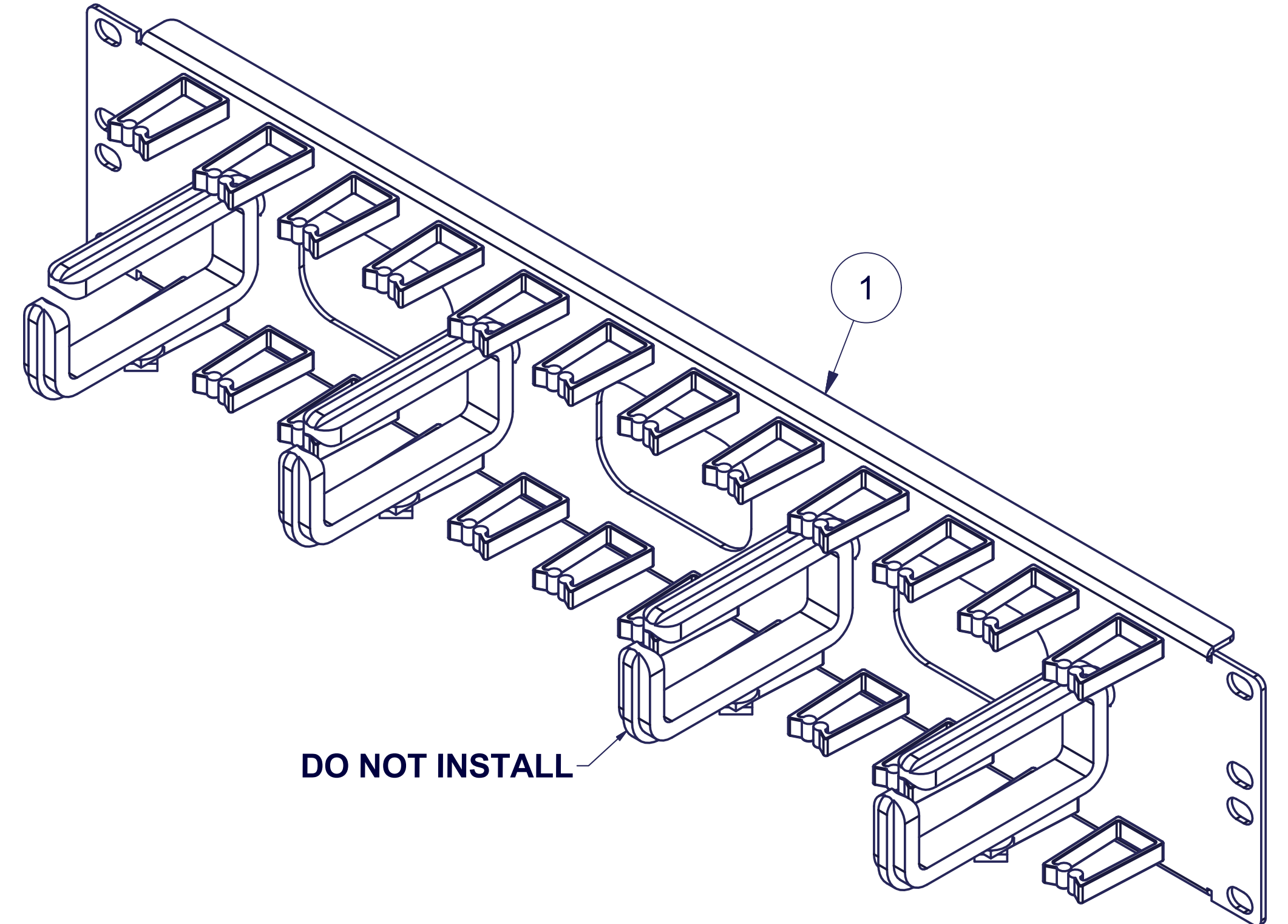
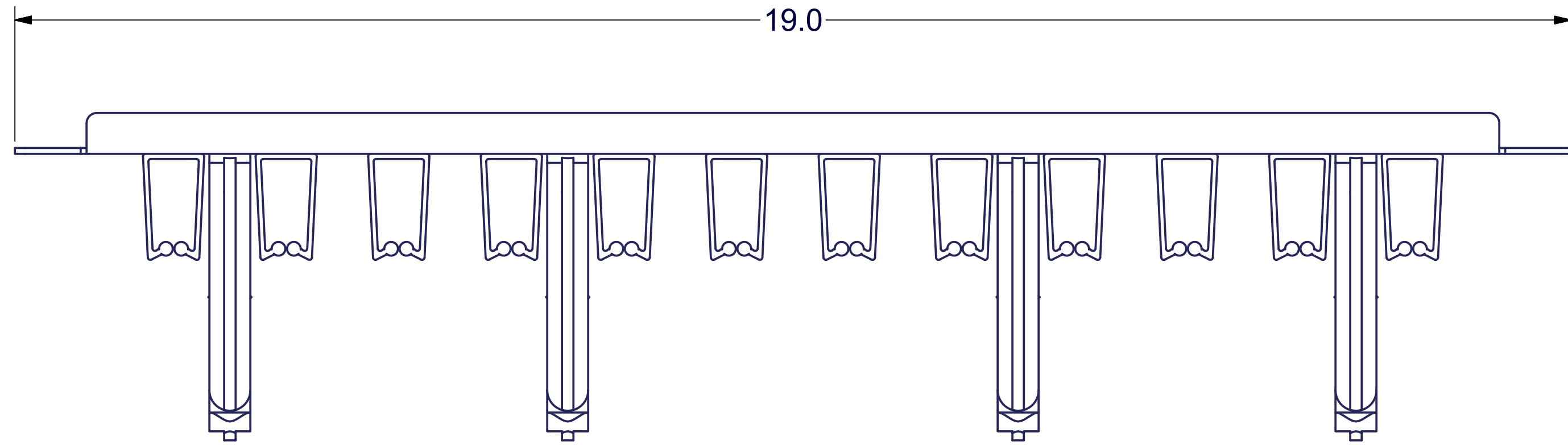


REVISION HISTORY			
REV	DESCRIPTION	DATE	APPROVED
0	ECO-07663	10/25/2019	VL
1	ECO-07768	11/25/19	CND

1 H13-005 MOVED TO VENDOR LEVEL

Bill of Material						
ITEM	PART NUMBER	STOCK #	QTY	DESCRIPTION	FILE NAME	Rev
1	I031636		1	2 RMU x 19" EIA CABLE MANAGER WITH (5) 1/4-TURN CABLE RINGS, ROUTING CLIPS & CABLE PASSTHRU	I031636.iam	1
2		H13-022	4	1/4 TURN D-RING CABLE MANAGER, SMALL VERSION - SIEMON VP-143	VP-143.ipt	



SPECIAL NOTES:

- 1) REFER TO PURCHASE ORDER, SPECIAL INSTRUCTIONS MAY APPLY
- 2) DO NOT INSTALL 1/4 TURN CABLE RINGS. SHIP AS KIT OF PARTS.

EST. WEIGHT :
N/A



INTERPRET DRAWING PER ASME Y14.5M-1994
 DIMENSIONAL LIMITS APPLY AFTER APPLICATION OF FINISH
 DRAWING NOT TO SCALE
 TOLERANCE UNLESS OTHERWISE NOTED:
 ANGULAR +/- 1'
 .XXXX +/- .010
 .XXX +/- .015
 .XX +/- .030
 .X FOR REF. ONLY
 UNLESS OTHERWISE SPECIFIED ALL DIMENSIONS ARE IN INCHES

NOTICE:
 Use of this document is subject to a confidentiality and nondisclosure agreement with Great Lakes Case & Cabinet Co., Inc. (GLCC) and may not be reproduced, disclosed or utilized in whole or in part without prior written authorization from GLCC.

PART NUMBER:
CM08PTX200
 MATERIAL TYPE:
SEE DETAILS
 MATERIAL GAUGE:
 FINISH:
SEE DETAILS
 DRAWN VL DATE 10/25/2019
 CHECKED & APP. DATE

TITLE
2 RMU x 19" EIA CABLE MANAGER WITH (5) 1/4-TURN CABLE RINGS, ROUTING CLIPS & CABLE PASSTHRU
 GREAT LAKES CASE & CABINET CO., INC.
 P.O. BOX 551 EDINBORO, PA 16412
 PHONE (814) 734-7303 FAX (814) 734-3907
 E-MAIL glcc@greatcabinets.com
 DWG NO:
I031635
 REV
1
 SHEET: 1 OF 1