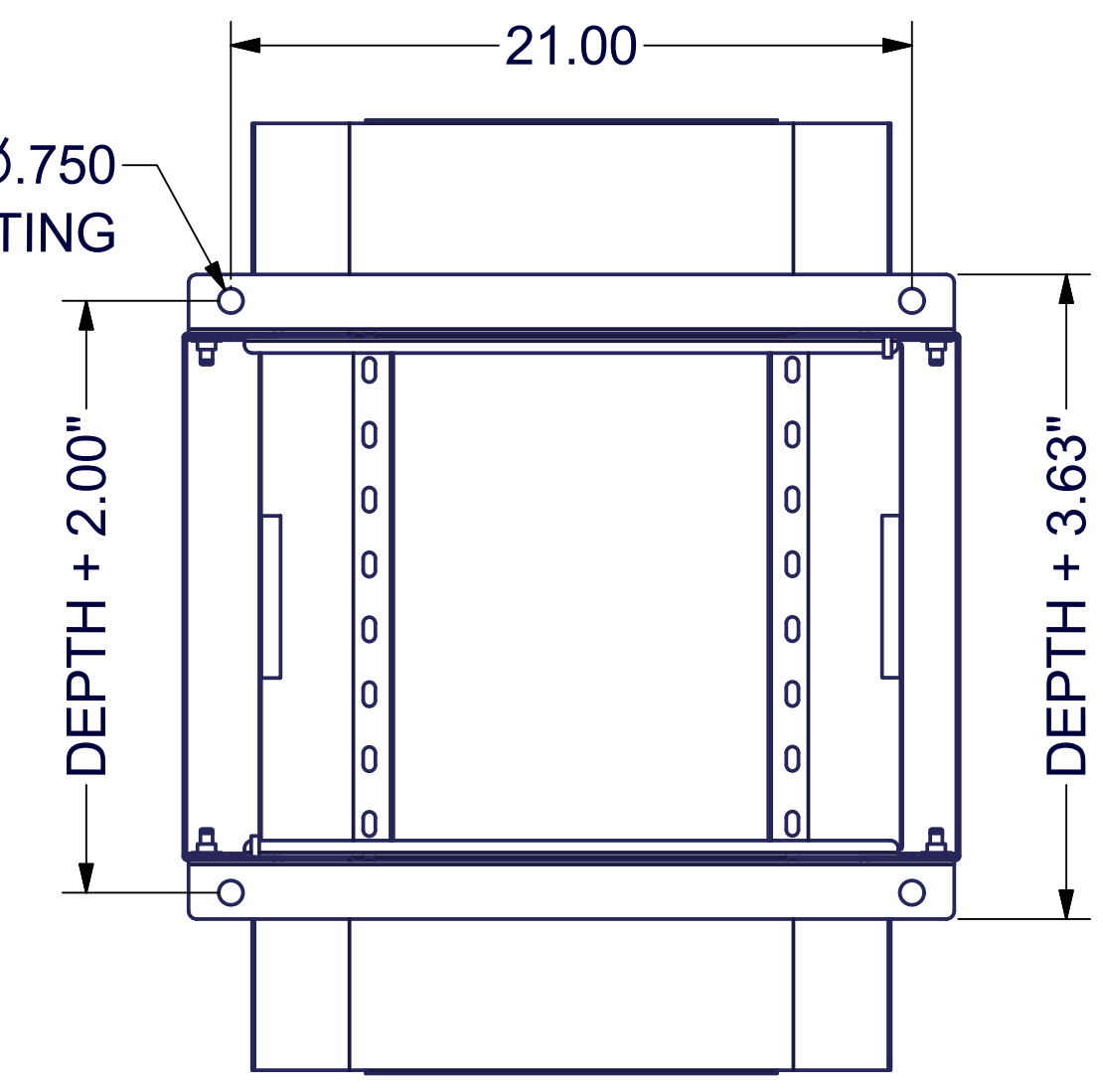
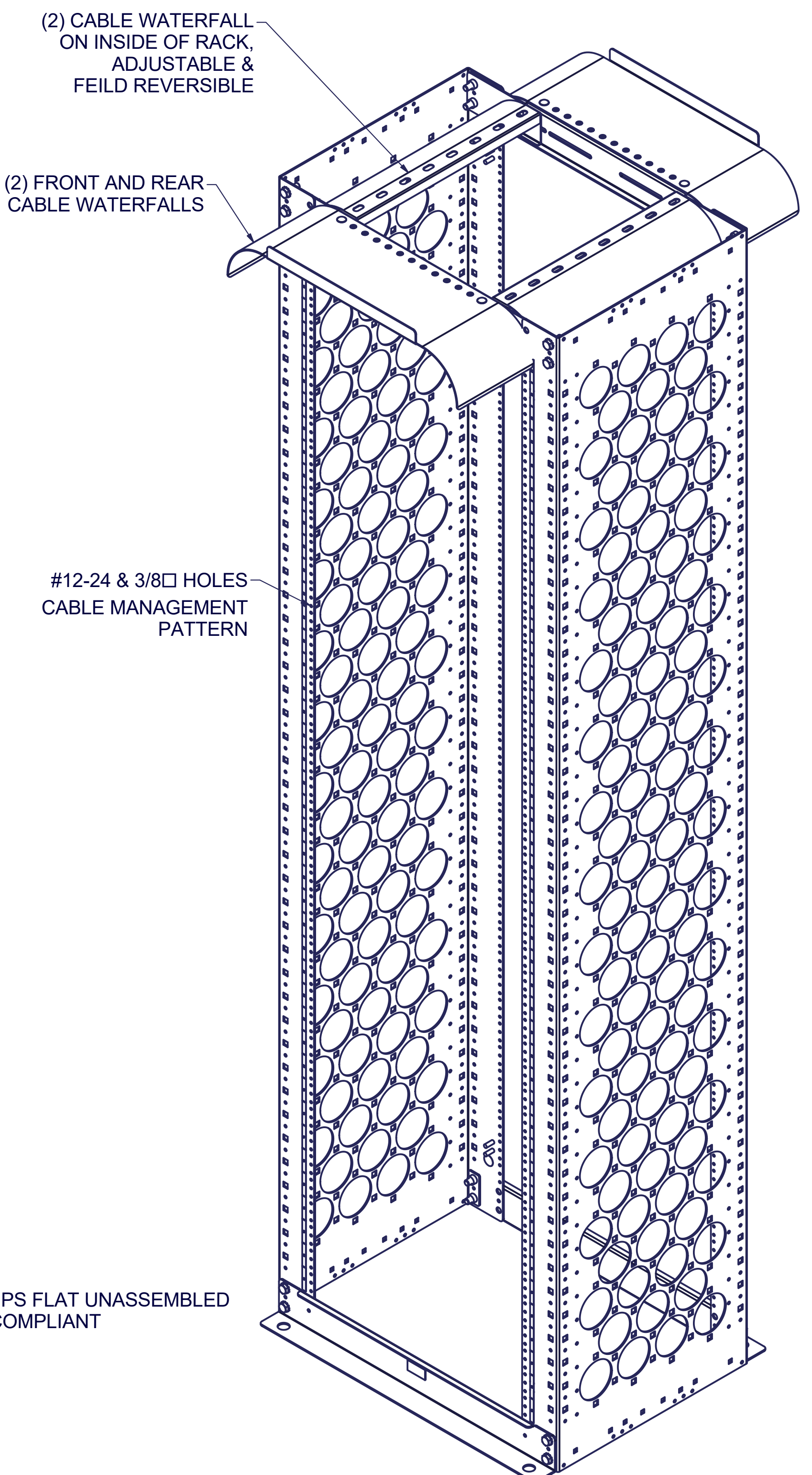


VIEW A-A
TOP VIEW



VIEW B-B
BOTTOM VIEW



SPECIFICATIONS:

SEE CHART FOR DIMENSIONS : HEIGHT x 24"W @ 19EIA / 28"W@ 23EIA x DEPTH : SHIPS FLAT UNASSEMBLED
 SEE CHART FOR RACK SPACES : RMU w/ RMU INDICATORS, 19" EIA / 23"EIA : 310-E COMPLIANT

CERTIFICATIONS : UL 2416, RoHS II

RAILS RATED AT : 2500 lbs.

COLOR : DURABLE TEXTURED POWDER COATING

BOLT TOGETHER CONSTRUCTION :

- VERTICAL CHANNEL RAILS , #12 GA. C.R.S.
- TOP HORIZONTAL MEMBER, #12 GA. C.R.S.
- BOTTOM HORIZONTAL FEET, #12 GA. C.R.S.
- TOP WATERFALL HORIZONTAL SUPPORT, #14 GA. C.R.S.
- (16) 3/8-16 x 3/4"L BOLTS AND NUTS

HARDWARE : PACKAGE OF QTY-50; #12-24 SCREWS, INCLUDED.

(2) PACKAGES OF QTY-10; CM-26 3.5" x 5" PLASTIC CABLE RINGS

PART NUMBER	DESCRIPTION	DEPTH	RMU	HEIGHT
CMRX45U10	45RU, 84"H x 10.5"D CABLE MANAGEMENT X RACK, VENDOR LEVEL ASSEMBLY	10.50 in	45 RMU	84 in
CMRX45U16	45RU, 84"H x 16.25"D CABLE MANAGEMENT X RACK, VENDOR LEVEL ASSEMBLY	16.25 in	45 RMU	84 in
CMRX45U24	45RU, 84"H x 24"D CABLE MANAGEMENT X RACK, VENDOR LEVEL ASSEMBLY	24.00 in	45 RMU	84 in
CMRX45U30	45RU, 84"H x 30"D CABLE MANAGEMENT X RACK, VENDOR LEVEL ASSEMBLY	30.00 in	45 RMU	84 in
CMRX45U36	45RU, 84"H x 36"D CABLE MANAGEMENT X RACK, VENDOR LEVEL ASSEMBLY	36.00 in	45 RMU	84 in
CMRX52U10	52RU, 96.25"H x 10.5"D CABLE MANAGEMENT X RACK, VENDOR LEVEL ASSEMBLY	10.50 in	52 RMU	96.25 in
CMRX52U16	52RU, 96.25"H x 16.25"D CABLE MANAGEMENT X RACK, VENDOR LEVEL ASSEMBLY	16.25 in	52 RMU	96.25 in
CMRX52U24	52RU, 96.25"H x 24"D CABLE MANAGEMENT X RACK, VENDOR LEVEL ASSEMBLY	24.00 in	52 RMU	96.25 in
CMRX52U30	52RU, 96.25"H x 30"D CABLE MANAGEMENT X RACK, VENDOR LEVEL ASSEMBLY	30.00 in	52 RMU	96.25 in
CMRX52U36	52RU, 96.25"H x 36"D CABLE MANAGEMENT X RACK, VENDOR LEVEL ASSEMBLY	36.00 in	52 RMU	96.25 in
CMRX59U10	59RU, 108.5"H x 10.5"D CABLE MANAGEMENT X RACK, VENDOR LEVEL ASSEMBLY	10.50 in	59 RMU	108.5 in
CMRX59U16	59RU, 108.5"H x 16.25"D CABLE MANAGEMENT X RACK, VENDOR LEVEL ASSEMBLY	16.25 in	59 RMU	108.5 in
CMRX59U24	59RU, 108.5"H x 24"D CABLE MANAGEMENT X RACK, VENDOR LEVEL ASSEMBLY	24.00 in	59 RMU	108.5 in
CMRX59U30	59RU, 108.5"H x 30"D CABLE MANAGEMENT X RACK, VENDOR LEVEL ASSEMBLY	30.00 in	59 RMU	108.5 in
CMRX59U36	59RU, 108.5"H x 36"D CABLE MANAGEMENT X RACK, VENDOR LEVEL ASSEMBLY	36.00 in	59 RMU	108.5 in

INTERPRET DRAWING PER ASME Y14.5M-1994
DIMENSIONAL LIMITS APPLY AFTER APPLICATION OF FINISH
DRAWING NOT TO SCALE
TOLERANCE UNLESS OTHERWISE NOTED:
ANGULAR +/- .1
.XXXX +/- .010
.XXX +/- .015
.XX +/- .030
.X FOR REF. ONLY
EST. WEIGHT : N/A
THIRD ANGLE PROJECTION
UNLESS OTHERWISE SPECIFIED ALL DIMENSIONS ARE IN INCHES

NOTICE:
 Use of this document is subject to a confidentiality and nondisclosure agreement with Great Lakes Case & Cabinet Co., Inc. (GLCC) and may not be reproduced, disclosed or utilized in whole or in part without prior written authorization from GLCC.

PART NUMBER:	SEE CHART	TITLE	CMRX CABLE MANAGEMENT RACK
MATERIAL TYPE:		GREAT LAKES CASE & CABINET CO., INC. P.O. BOX 551 EDINBORO, PA 16412 PHONE (814) 734-7303 FAX (814) 734-3907 E-MAIL glcc@greatcabinets.com	
MATERIAL GAUGE:		DWG NO:	CMRXxxUxx
FINISH:		REV	-
DRAWN	DATE	CHECKED & APP.	DATE
	3/4/2020		
			SHEET: 1 OF 1