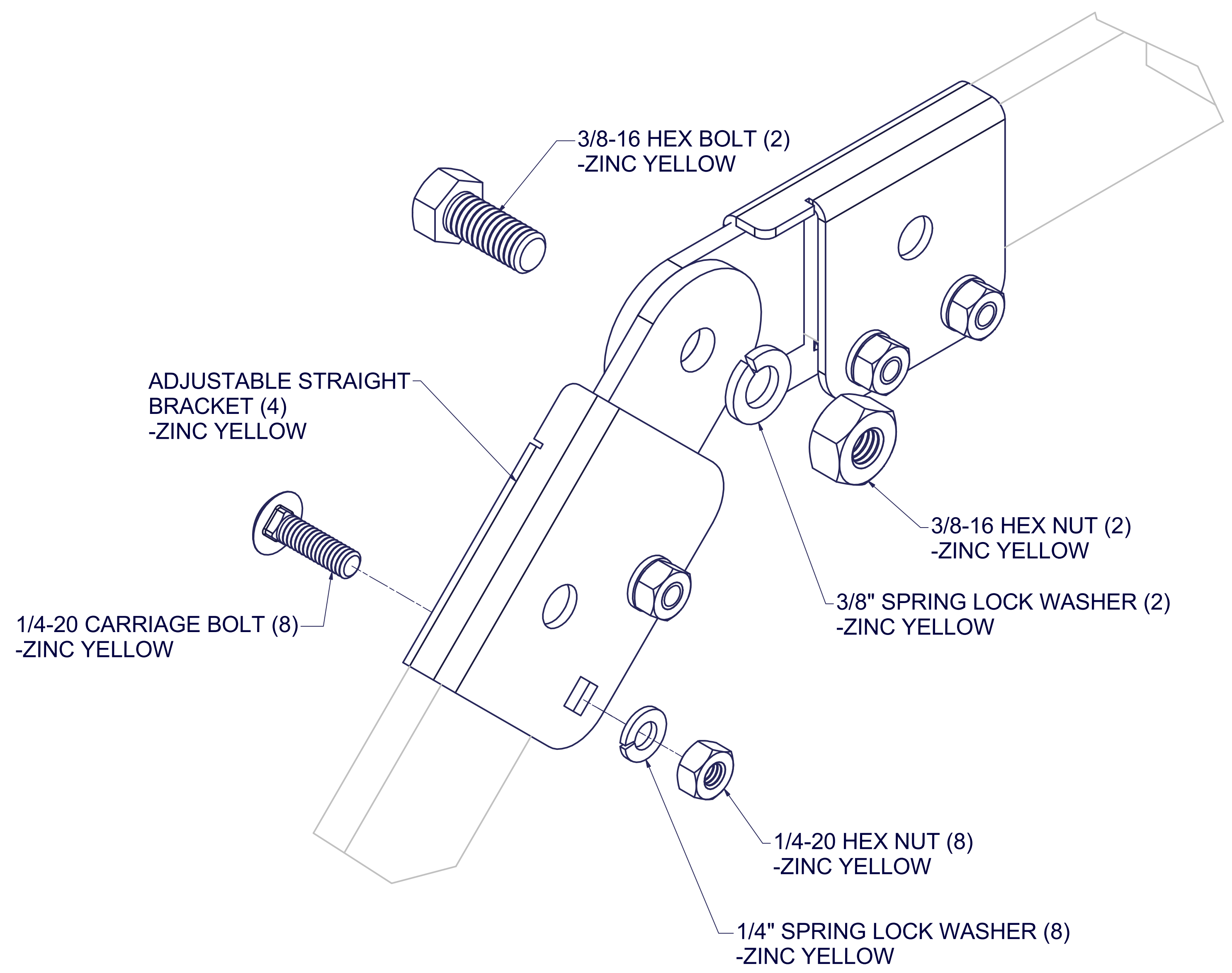
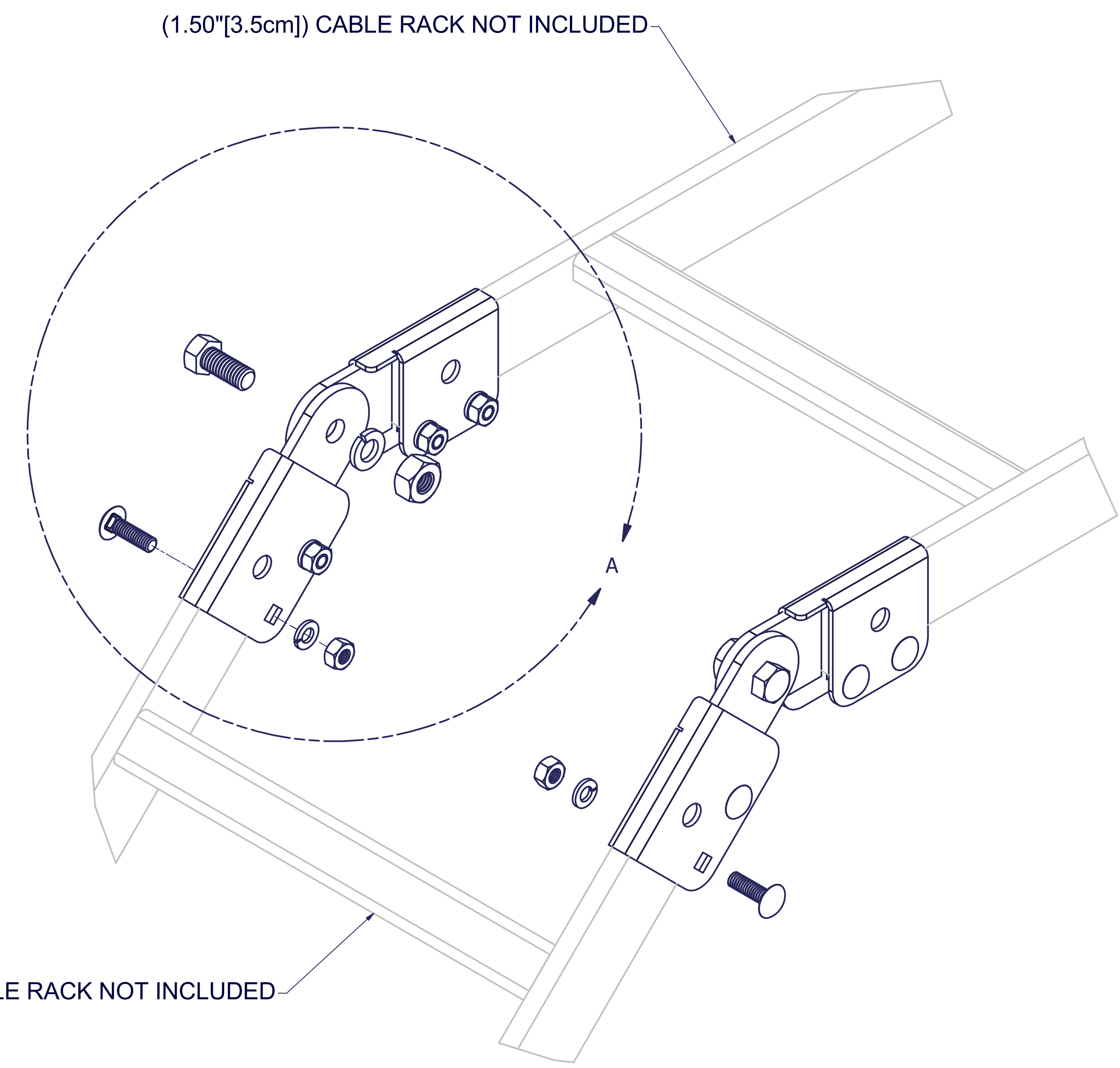


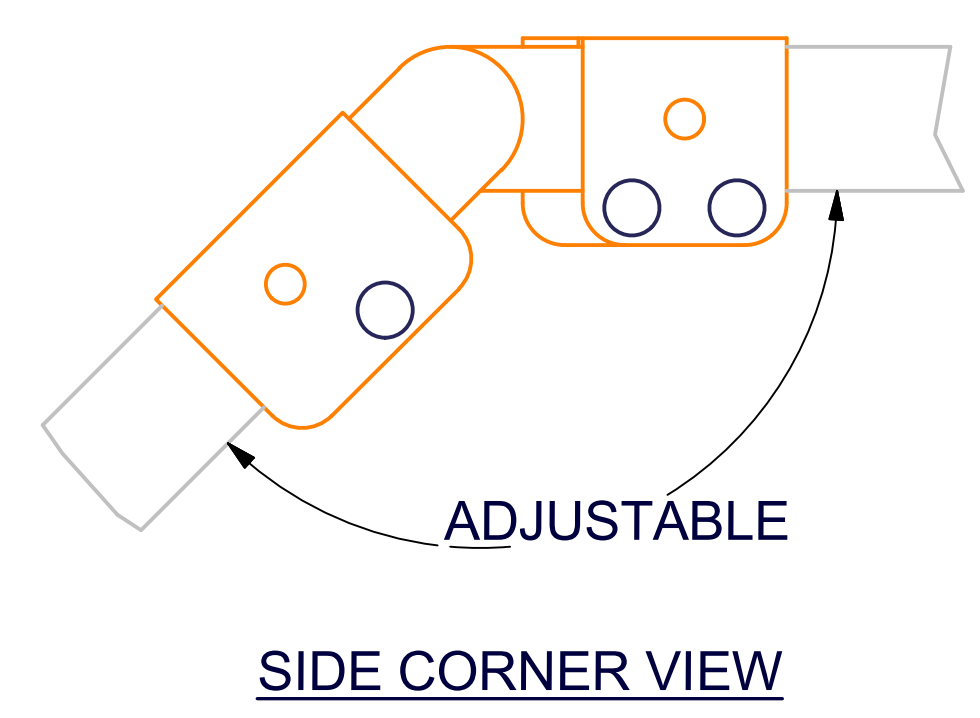
REVISION HISTORY			
REV	DESCRIPTION	DATE	APPROVED
0	ECO-08001	10/28/2020	HM



**DETAIL A**



**INSTALLATION VIEW**



**SIDE CORNER VIEW**

EST. WEIGHT :	N/A
	THIRD ANGLE PROJECTION

INTERPRET DRAWING PER ASME Y14.5M-1994
DIMENSIONAL LIMITS APPLY AFTER APPLICATION OF FINISH
DRAWING NOT TO SCALE
TOLERANCE UNLESS OTHERWISE NOTED:
ANGULAR +/- .1°
.XXXX +/- .010
.XXX +/- .015
.XX +/- .030
.X FOR REF. ONLY
UNLESS OTHERWISE SPECIFIED ALL DIMENSIONS ARE IN INCHES

**NOTICE:**  
 Use of this document is subject to a confidentiality and nondisclosure agreement with Great Lakes Data Racks & Cabinets and may not be reproduced, disclosed or utilized in whole or in part without prior written authorization from Great Lakes.  
 Product specification, price & availability are subject to change without prior notice.

PART NUMBER:	GL-CR-BSSK
MATERIAL TYPE:	STEEL
MATERIAL GAUGE:	
FINISH:	ZINC YELLOW
DRAWN:	henrym
CHECKED & APP.:	CND
DATE:	10/26/2020
DATE:	10/28/20

TITLE	ADJUSTABLE STRAIGHT SPLICE BRACKET KIT		
	GREAT LAKES DATA RACKS & CABINETS		
	P.O. BOX 551 EDINBORO, PA 16412		
	PHONE (814) 734-7303 FAX (814) 734-3907		
	E-MAIL info@greatcabinets.com		
DWG NO:	1032867	REV	0
		SHEET: 1 OF 1	