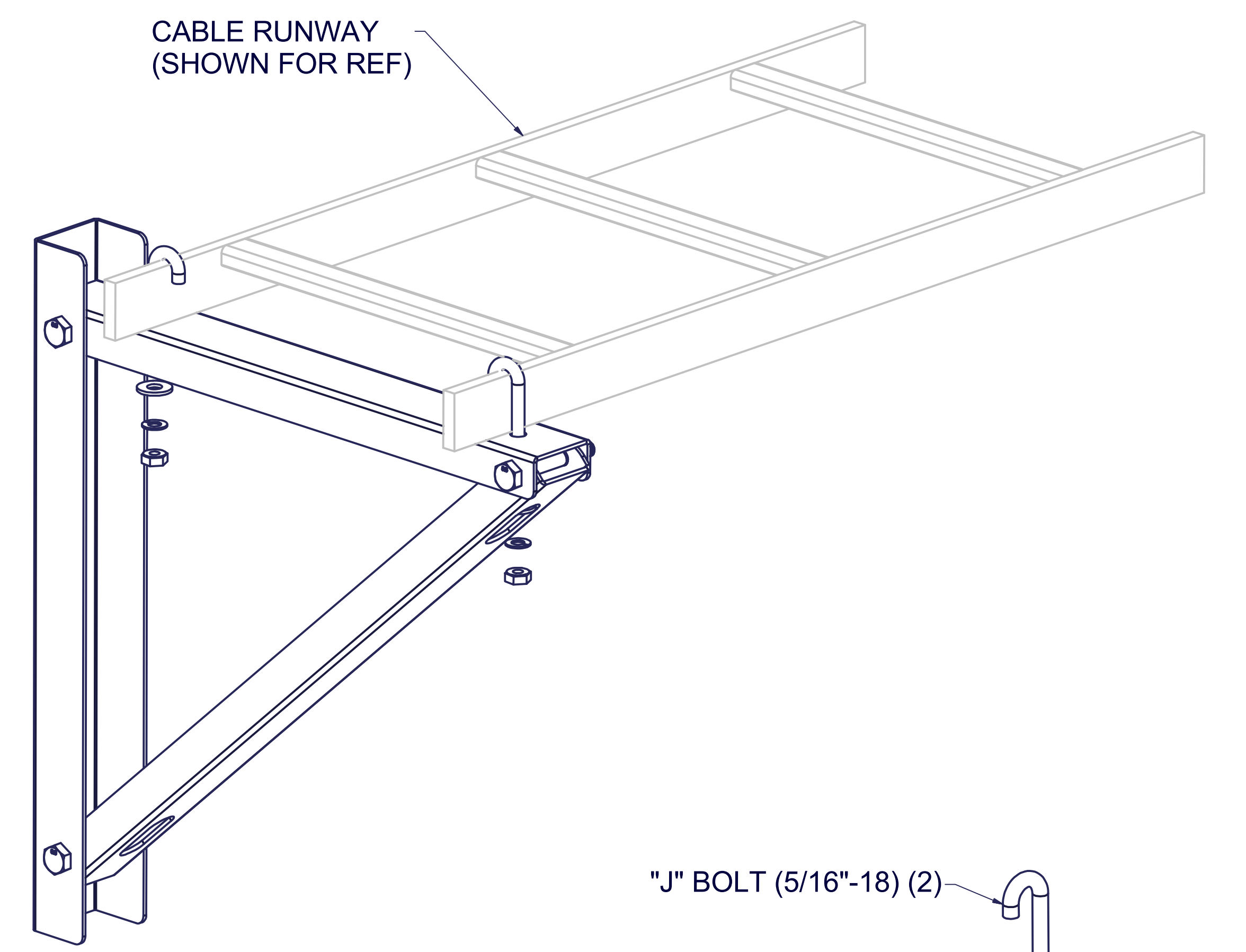
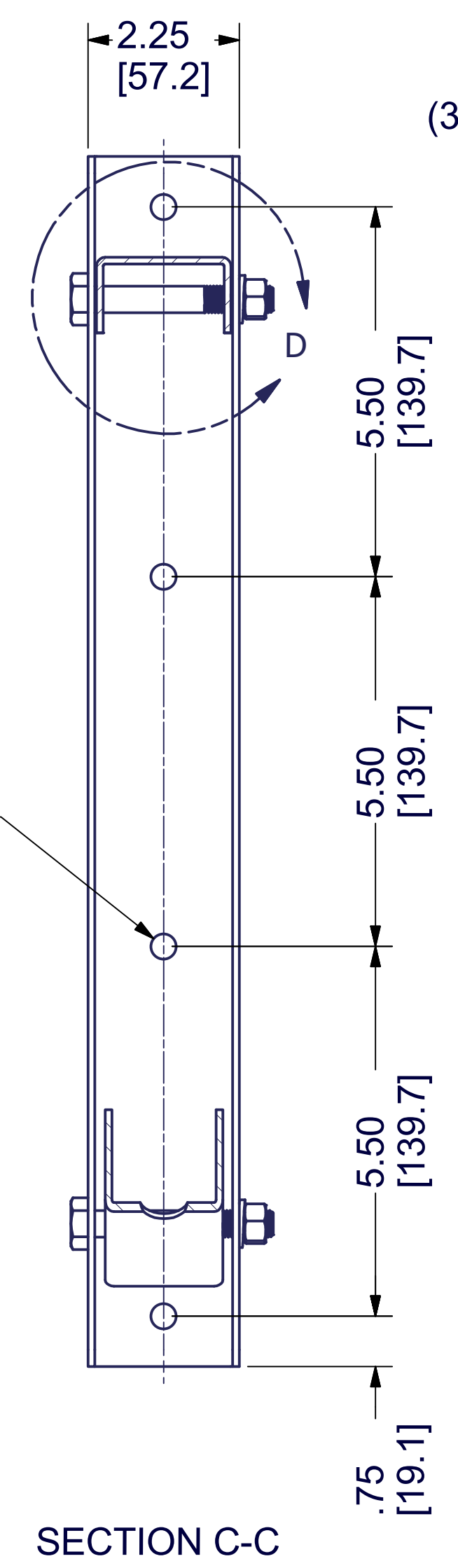
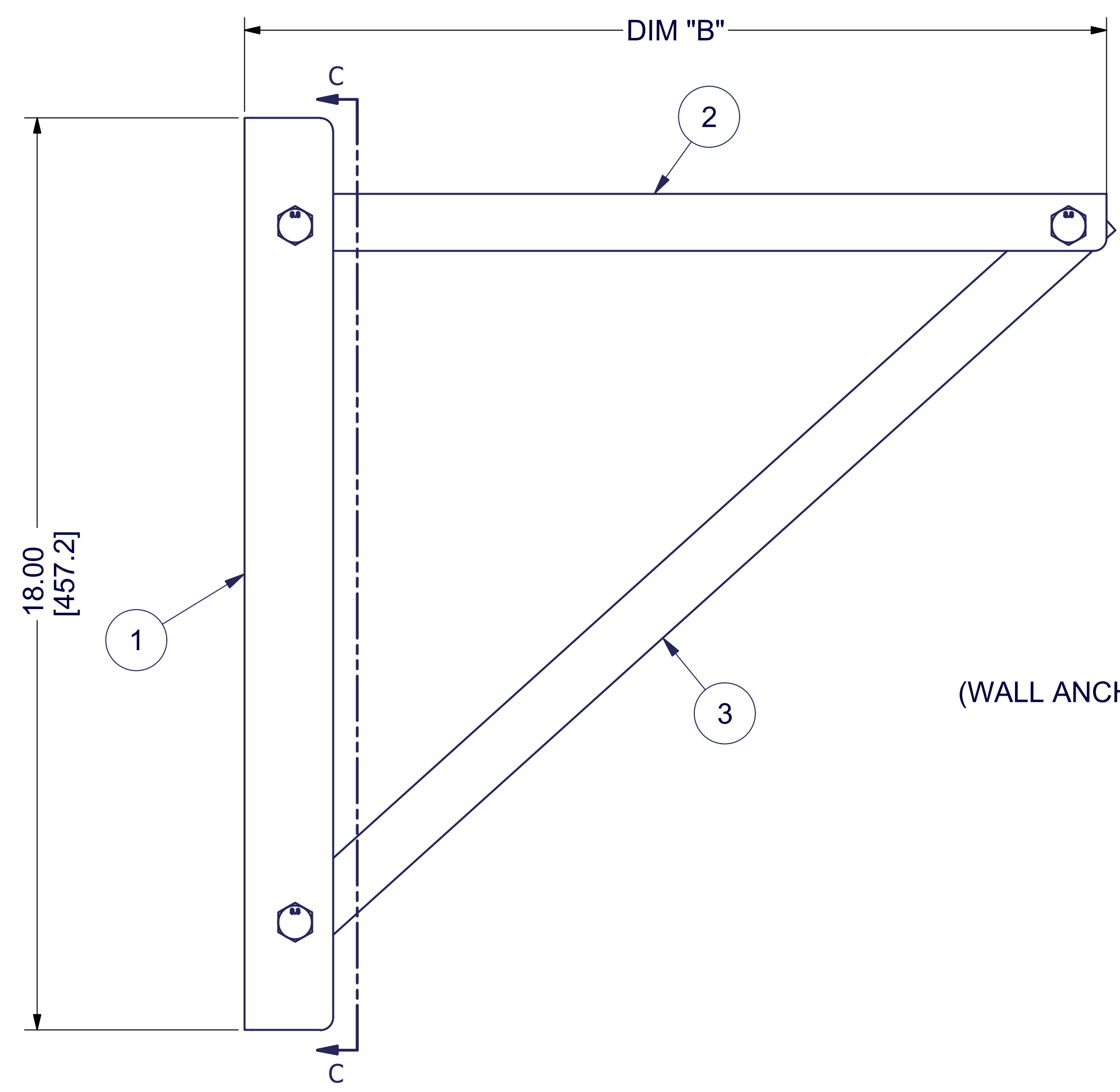
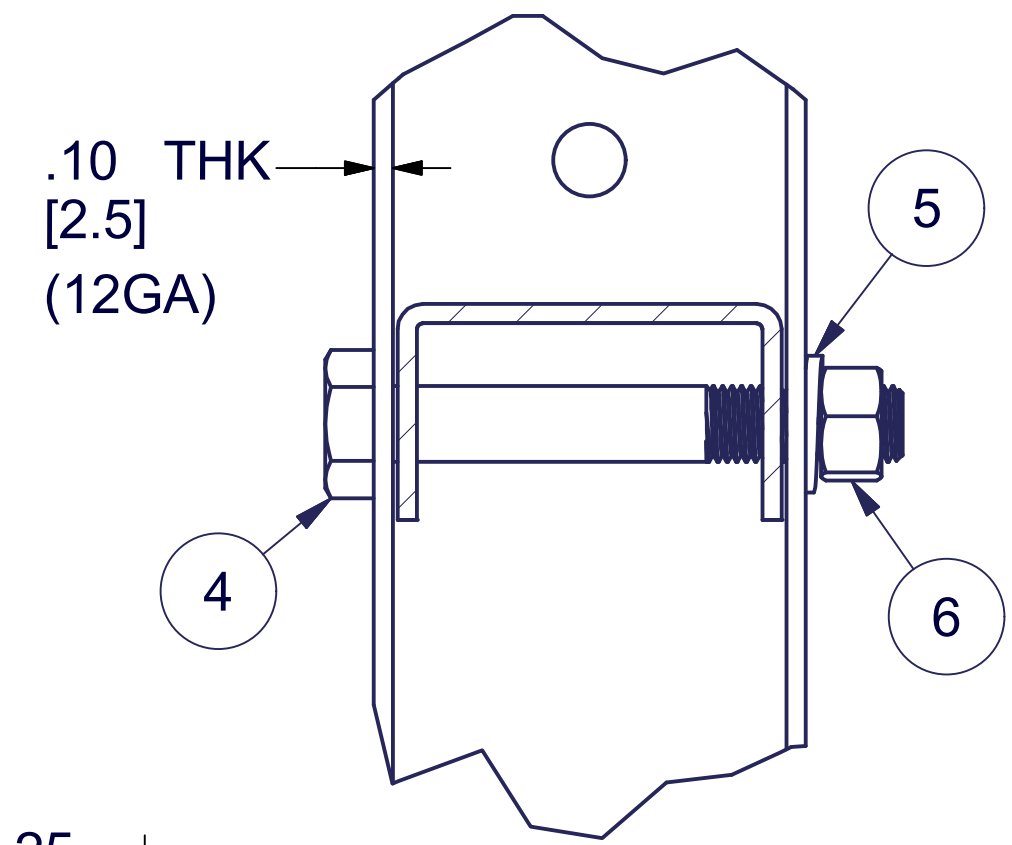
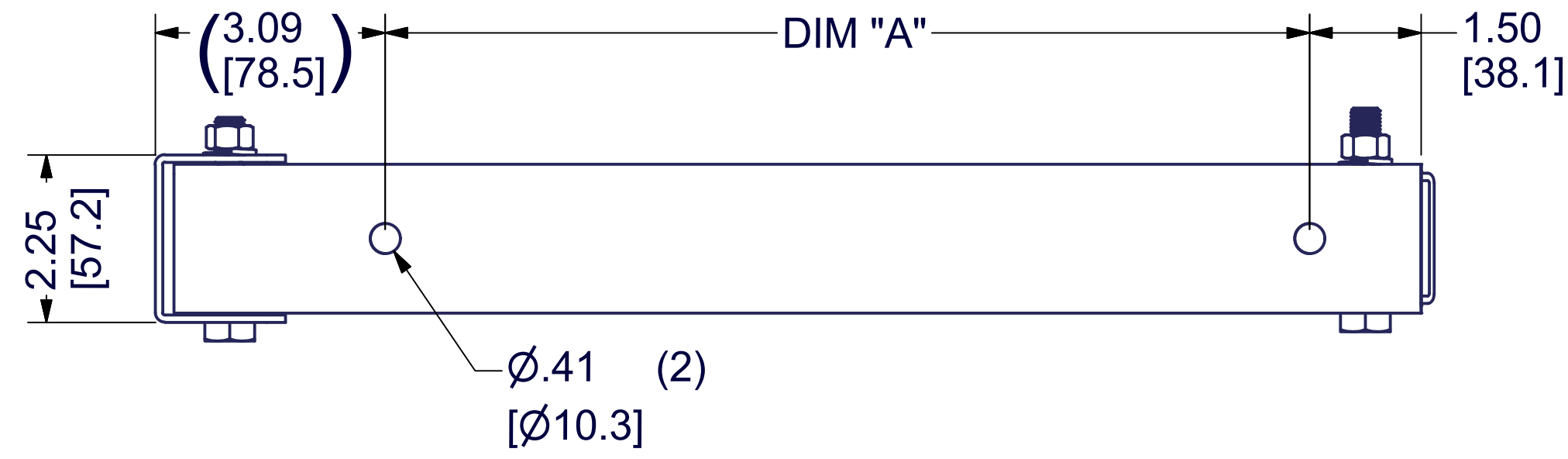


REVISION HISTORY			
REV	DESCRIPTION	DATE	APPROVED
0	ECO-08001	11/25/2020	HM

Bill of Material						
ITEM	PART NUMBER	STOCK #	QTY	DESCRIPTION	FILE NAME	Rev
1	I032961		1	WALL POST, TRIANGULAR SUPPORT, CABLE RUNWAY	I032961.ipt	0
2	I032962-XX		1	HOR. SUPPORT LEG, TRIANGULAR SUPPT. FOR XX"W CABLE RUNWAY	I032962-XX.ipt	0
3	I032963-XX		1	DIAGONAL SUPPORT LEG	I032963-XX.ipt	0
4	91180A649	H04-163	3	BOLT, HEX HEAD, M10 x 1.25 mm X 70 mm L, GRADE 5 (CLASS 8.8)	H04-163.ipt	-
5	91202A242	H03-151	3	WASHER, M10 ZINC-PLATED STEEL SPLIT LOCK WASHER 91202A242	H03-151.ipt	-
6	91028A421	H02-199	3	NUT, M10 x 1.25 mm JIS B1181 LOCK NUT STEEL 91028A421	H02-199.ipt	-
7	CR-JBOLTXX200		2	CABLE RUNWAY "J-BOLT" HARDWARE, INCLUDES 5/16-18 J-BOLT, WASHER AND NUT	I032420.iam	0



- "J" BOLT (5/16"-18) (2)
- 5/16" ZINC PLATED FLAT WASHER (2)
- WASHER, 5/16" SPLIT LOCK, ZINC (2)
- 5/16-18 HEX FLANGE SER. LOCKNUT ZINC (2)

"J" BOLT HDWE KIT (ITEM 7)

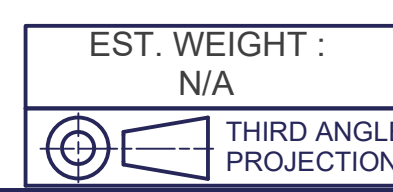
SPECIAL NOTES:

- 1) REFER TO PURCHASE ORDER
- 2) SHIP UNASSEMBLED
- 3) KIT HARDWARE WITH OTHER COMPONENTS
- 4) PACKAGE COMPLETE KIT WITH P/N LABELED ON THE OUTSIDE

SPECIFICATIONS:

- 1) DIMENSIONS ARE IN IMPERIAL [METRIC] FORMAT -INCHES[MM] UNLESS OTHERWISE SPECIFIED.

PART NUMBER	DESCRIPTION	FILE NAME	DIM "A"	DIM "B"	ITEM 2	ITEM 3
GL-CR-TSB6	CABLE RUNWAY 6"[15.2cm] TRIANGULAR SUPPORT BRACKET, BLACK	I032860-6.iam	6.43[16.3cm]	11.02[28.0cm]	I032962-6	I032963-6
GL-CR-TSB12	CABLE RUNWAY 12"[30.5cm] TRIANGULAR SUPPORT BRACKET, BLACK	I032860-12.iam	12.43[31.6cm]	17.02[43.2cm]	I032962-12	I032963-12
GL-CR-TSB18	CABLE RUNWAY 18"[45.7cm] TRIANGULAR SUPPORT BRACKET, BLACK	I032860-18.iam	18.43[46.8cm]	23.02[58.5cm]	I032962-18	I032963-18
GL-CR-TSB24	CABLE RUNWAY 24"[61.0cm] TRIANGULAR SUPPORT BRACKET, BLACK	I032860-24.iam	24.43[62.0cm]	29.02[73.7cm]	I032962-24	I032963-24



INTERPRET DRAWING PER ASME Y14.5M-1994
 DIMENSIONAL LIMITS APPLY AFTER APPLICATION OF FINISH
 DRAWING NOT TO SCALE
 TOLERANCE UNLESS OTHERWISE NOTED:
 ANGULAR +/- .1'
 .XXXX +/- .010
 .XXX +/- .015
 .XX +/- .030
 .X FOR REF. ONLY
 UNLESS OTHERWISE SPECIFIED ALL DIMENSIONS ARE IN INCHES

NOTICE:

Use of this document is subject to a confidentiality and nondisclosure agreement with Great Lakes Data Racks & Cabinets and may not be reproduced, disclosed or utilized in whole or in part without prior written authorization from Great Lakes.

PART NUMBER: GL-CR-TSBXX	TITLE: CABLE RUNWAY XX" TRIANGULAR SUPPORT BRACKET, BLACK
MATERIAL TYPE: CRS	GREAT LAKES DATA RACKS & CABINETS P.O. BOX 551 EDINBORO, PA 16412 PHONE (814) 734-7303 FAX (814) 734-3907 E-MAIL info@greatcabinets.com
MATERIAL GAUGE: POWDER COATED	
DRAWN DATE: 11/30/2020	DWG NO.: I032960
CHECKED & APP. DATE:	REV: 0
SHEET: 1 OF 1	