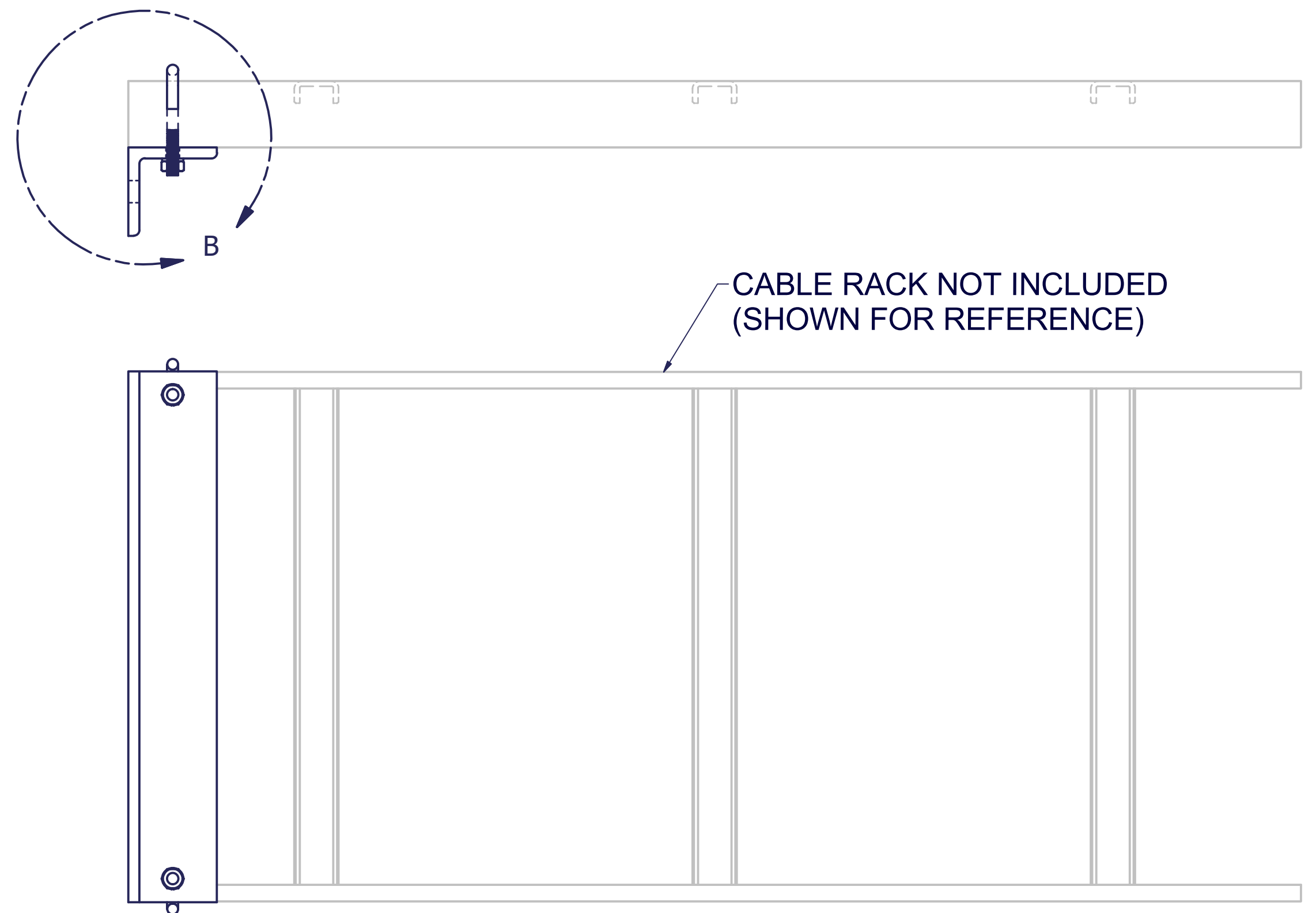
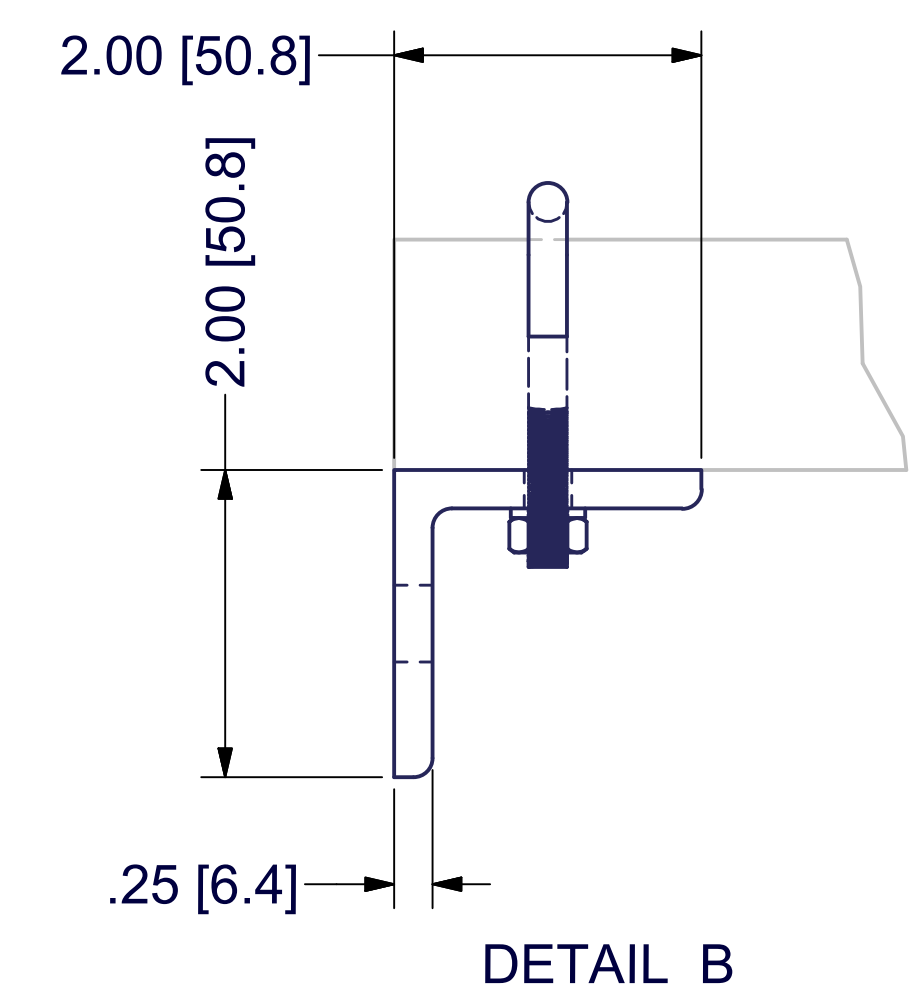
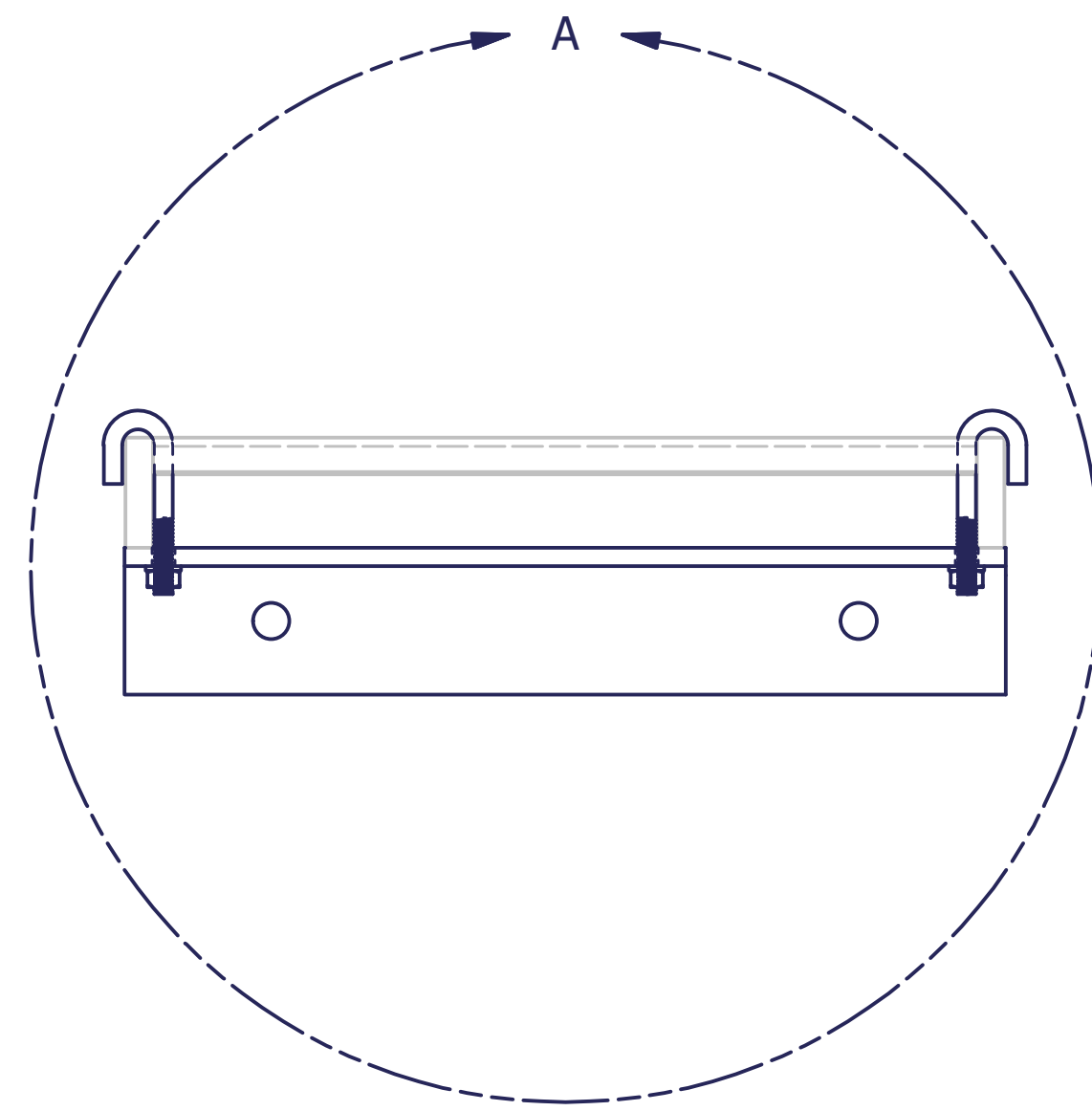
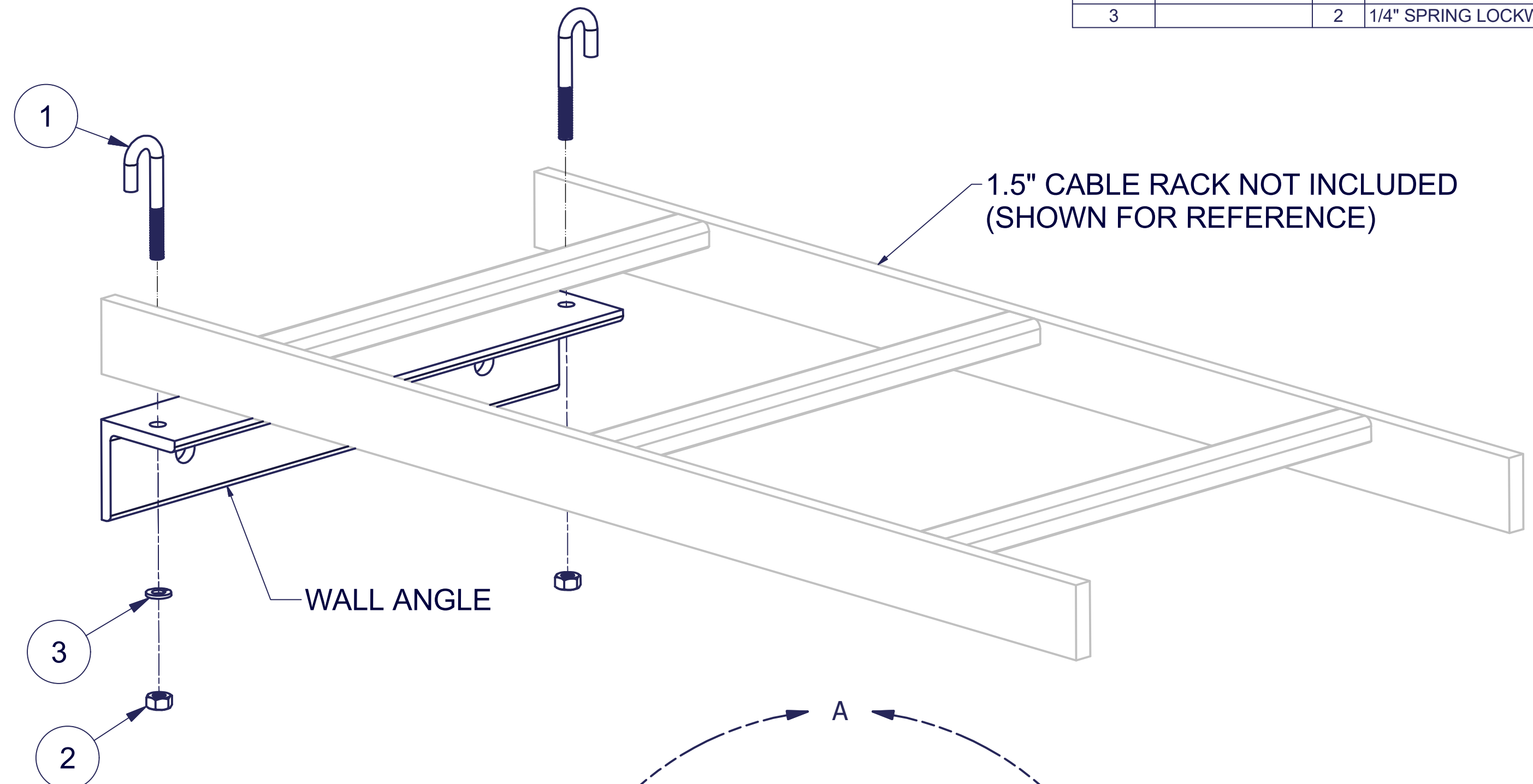
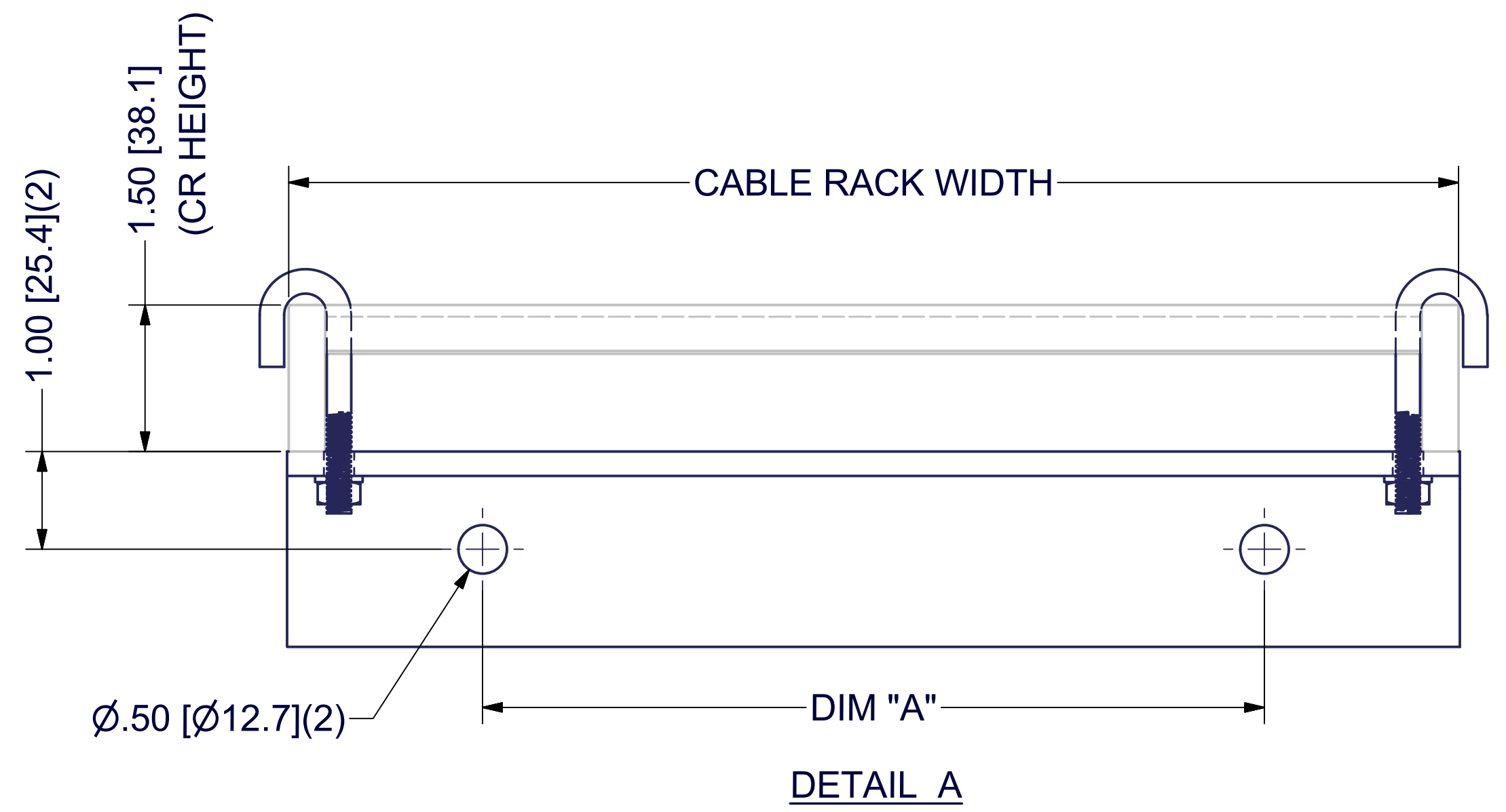


REVISION HISTORY			
REV	DESCRIPTION	DATE	APPROVED
0	ECO-08001	10/28/2020	HM

HARDWARE BOM			
ITEM	PART NUMBER	QTY	DESCRIPTION
1		2	1/4-20 J BOLT X 2.25" LENGTH
2		2	1/4-20 HEX NUT
3		2	1/4" SPRING LOCKWASHER



**SPECIFICATIONS:**

1. DIMENSIONS ARE IN INCHES[MM] UNLESS SPECIFIED OTHERWISE.
2. CONSTRUCTED OF STRUCTURAL STEEL ANGLE

PART NUMBER	DESCRIPTION	FILE NAME	DIM "A"	CABLE RACK WIDTH (NOMINAL)
GL-CR-WTK6	6" [15.2cm] WIDE WALL TERMINATION KIT	1032864-6.iam	4.00"[10.2cm]	6.00"[14.7cm]
GL-CR-WTK12	12" [30.5cm] WIDE WALL TERMINATION KIT	1032864-12.iam	8.00"[20.4cm]	12.00"[30.5cm]
GL-CR-WTK15	15" [38.1cm] WIDE WALL TERMINATION KIT	1032864-15.iam	11.00"[28.0cm]	15.00"[38.1cm]
GL-CR-WTK18	18" [45.7cm] WIDE WALL TERMINATION KIT	1032864-18.iam	12.00"[30.5cm]	18.00"[45.7cm]
GL-CR-WTK20	20" [50.8cm] WIDE WALL TERMINATION KIT	1032864-20.iam	14.00"[35.6cm]	20.00"[50.8cm]
GL-CR-WTK24	24" [61.0cm] WIDE WALL TERMINATION KIT	1032864-24.iam	18.00"[45.7cm]	24.00"[61.0cm]

INTERPRET DRAWING PER ASME Y14.5M-1994  
 DIMENSIONAL LIMITS APPLY AFTER APPLICATION OF FINISH  
 DRAWING NOT TO SCALE  
 TOLERANCE UNLESS OTHERWISE NOTED:  
 ANGULAR +/- .1"  
 .XXXX +/- .015  
 .XXX +/- .015  
 .XX +/- .030  
 .X FOR REF. ONLY

EST. WEIGHT : N/A

THIRD ANGLE PROJECTION

UNLESS OTHERWISE SPECIFIED ALL DIMENSIONS ARE IN INCHES

**NOTICE:**  
 Use of this document is subject to a confidentiality and nondisclosure agreement with Great Lakes Data Racks & Cabinets and may not be reproduced, disclosed or utilized in whole or in part without prior written authorization from Great Lakes.  
 Product specification, price & availability are subject to change without prior notice.

PART NUMBER:	SEE CHART	TITLE:	"X" WIDE WALL TERMINATION KIT
MATERIAL TYPE:	STEEL	GREAT LAKES DATA RACKS & CABINETS P.O. BOX 551 EDINBORO, PA 16412 PHONE (814) 734-7303 FAX (814) 734-3907 E-MAIL info@greatcabinets.com	
MATERIAL GAUGE:		DWG NO:	1032864
FINISH:	POWDERCOAT	REV:	0
DRAWN: henrym	DATE: 10/28/2020	CHECKED & APP.:	CND
		SHEET:	1 OF 1