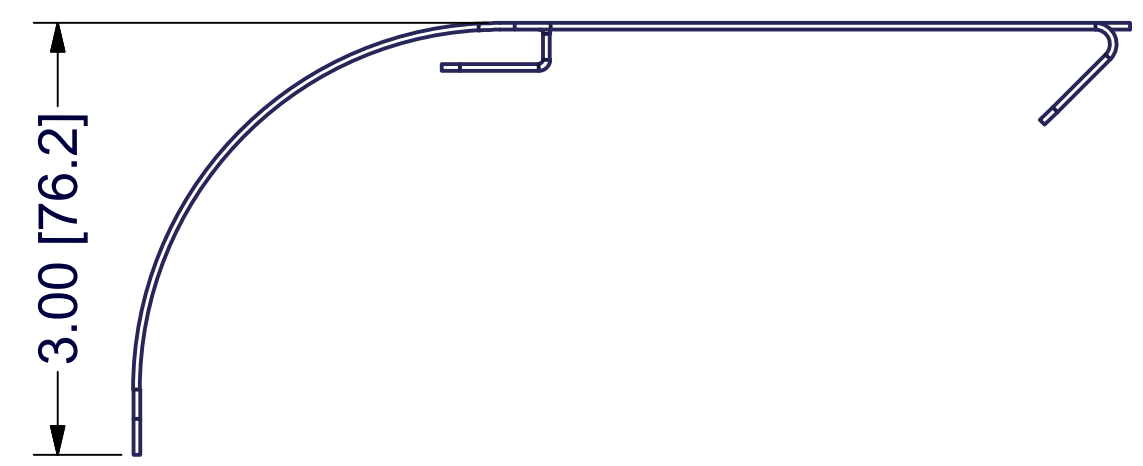
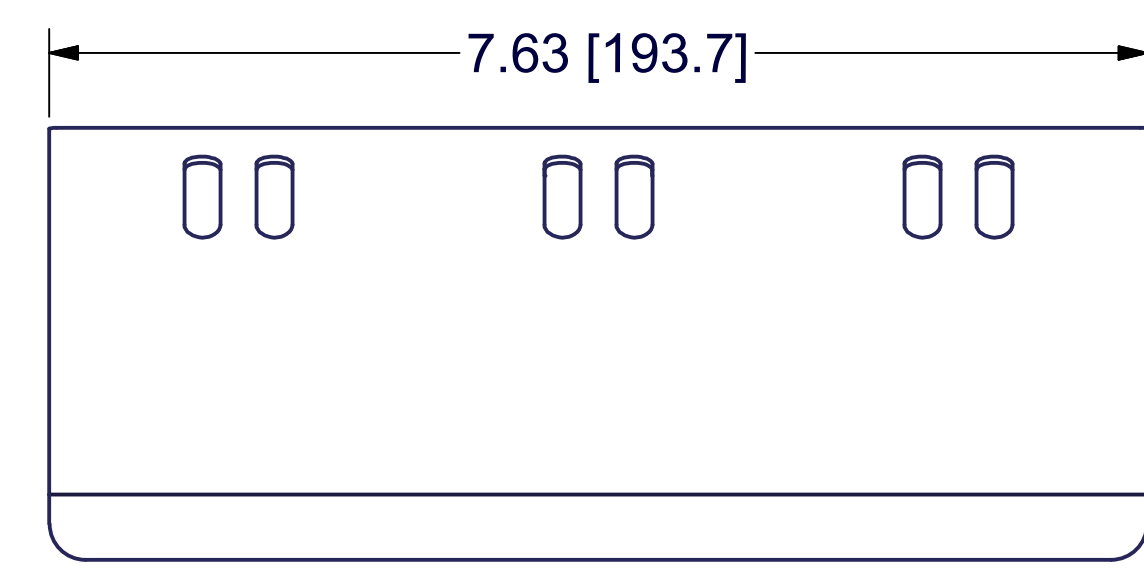
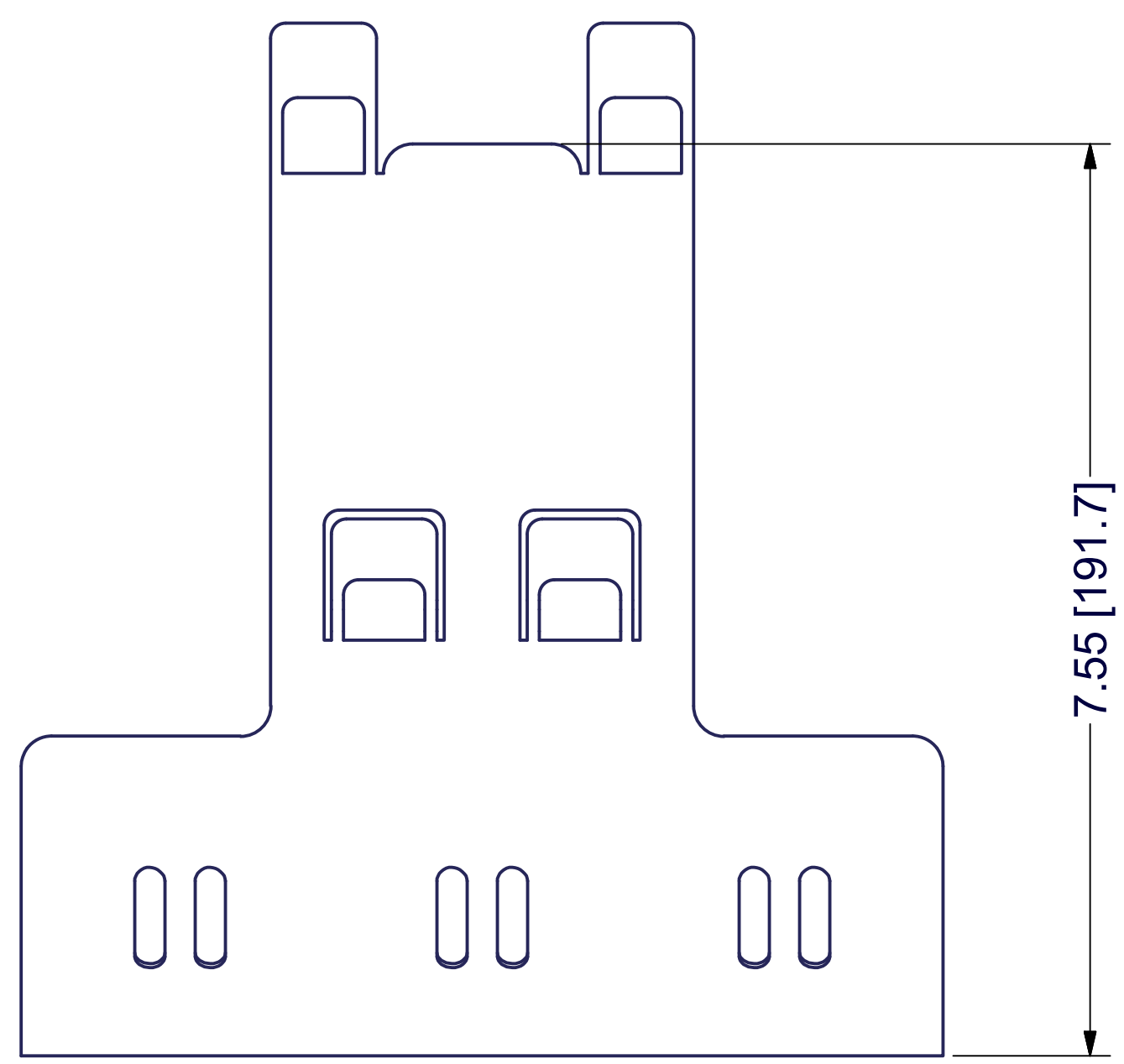
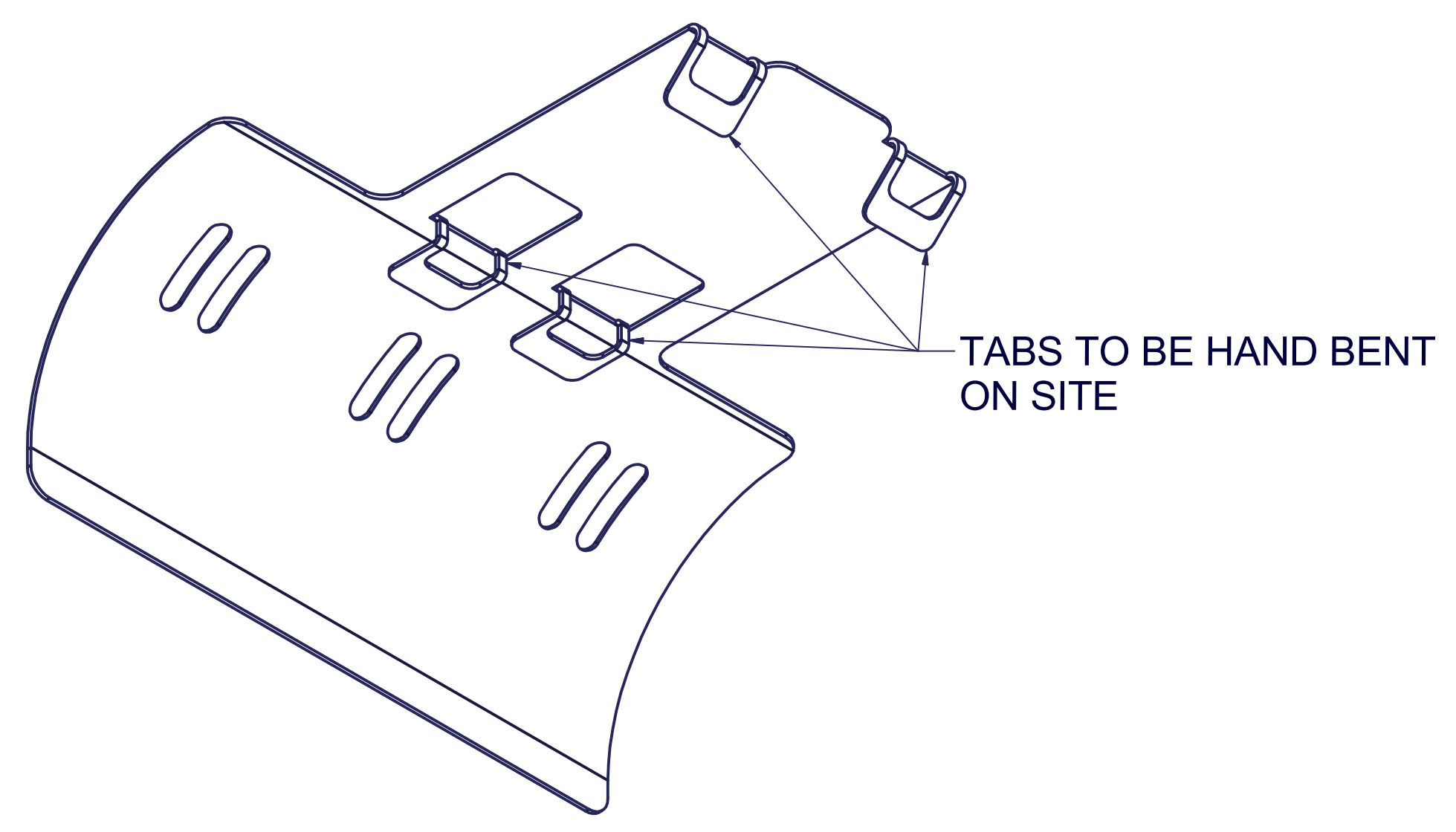
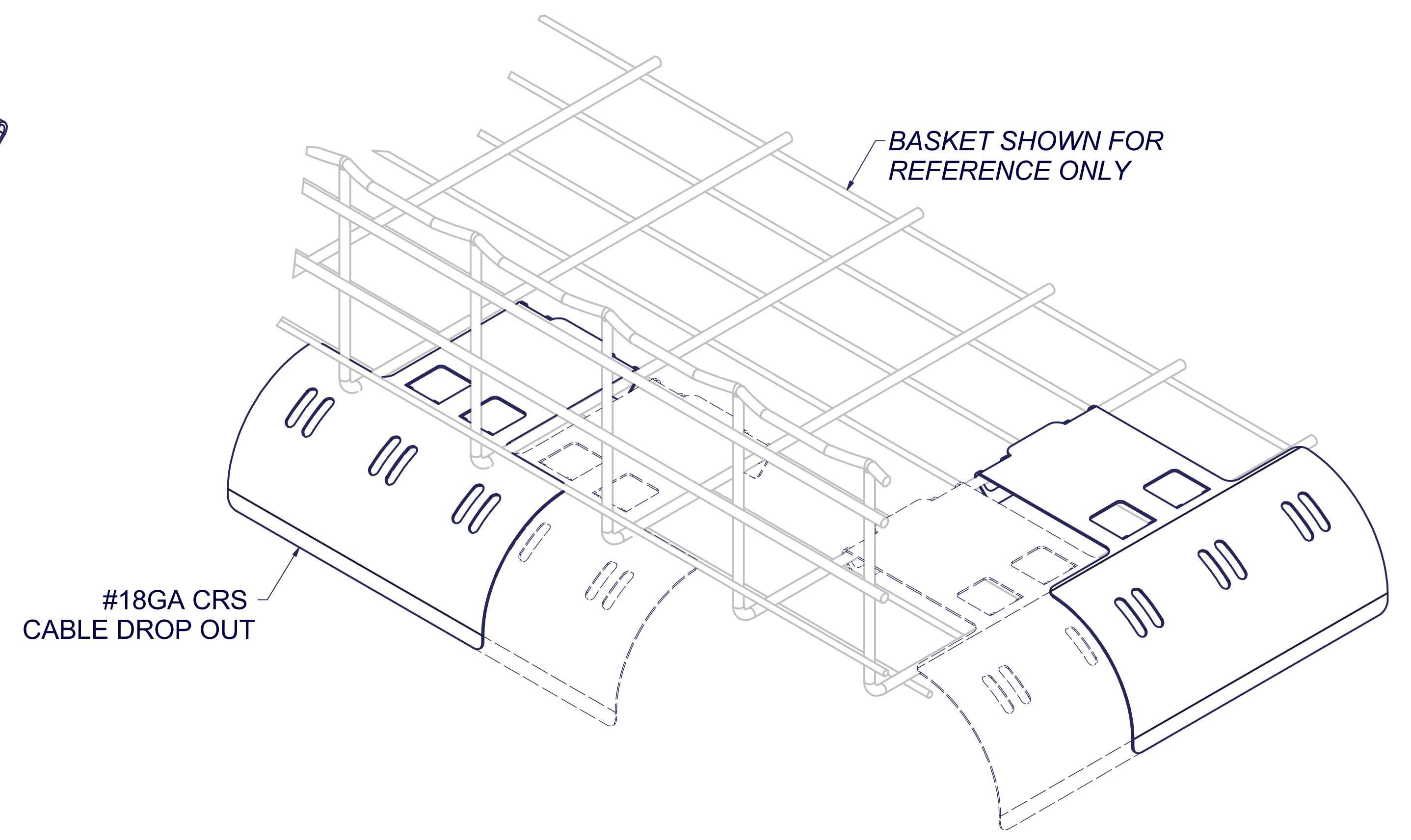
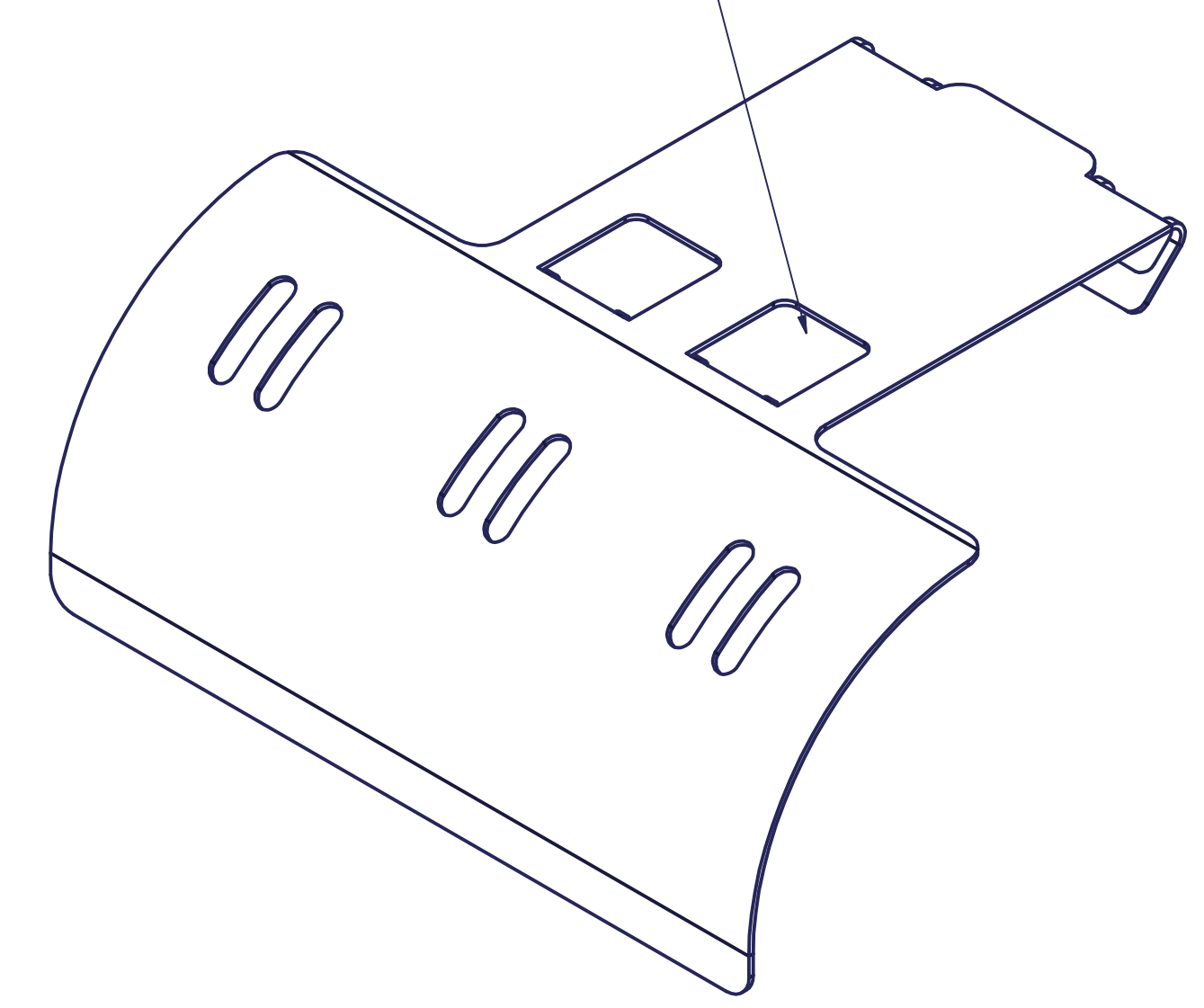


REVISION HISTORY			
REV	DESCRIPTION	DATE	APPROVED
0	ECO-07765	12/9/2019	VL
1		10/8/20	CND
2		10/16/20	CND

1 ****SEE SHEET 2 FOR CENTER OF TRAY MOUNTING****

(2) FRONT BENDS 2



BENT

EST. WEIGHT :
N/A



INTERPRET DRAWING PER ASME Y14.5M-1994
DIMENSIONAL LIMITS APPLY AFTER APPLICATION OF FINISH
DRAWING NOT TO SCALE
TOLERANCE UNLESS OTHERWISE NOTED:
ANGULAR +/- 1°
.XXXX +/- .010
.XXX +/- .015
.XX +/- .030
.X FOR REF. ONLY
UNLESS OTHERWISE SPECIFIED ALL DIMENSIONS ARE IN INCHES

NOTICE:
Use of this document is subject to a confidentiality and nondisclosure agreement with Great Lakes Case & Cabinet Co., Inc. (GLCC) and may not be reproduced, disclosed or utilized in whole or in part without prior written authorization from GLCC.

PART NUMBER:
GL-WBT-CD
MATERIAL TYPE:
CRS
MATERIAL GAUGE:
0.047 in
FINISH: POWDERCOATED
DRAWN: VL
CHECKED & APP.: VL
DATE: 12/5/2019

TITLE
BOTTOM OF TRAY RADIUS DROP OUT
GREAT LAKES CASE & CABINET CO., INC.
P.O. BOX 551 EDINBORO, PA 16412
PHONE (814) 734-7303 FAX (814) 734-3907
E-MAIL glcc@greatcabinets.com
DWG NO:
DC#12655
REV
2
SHEET: 1 OF 2

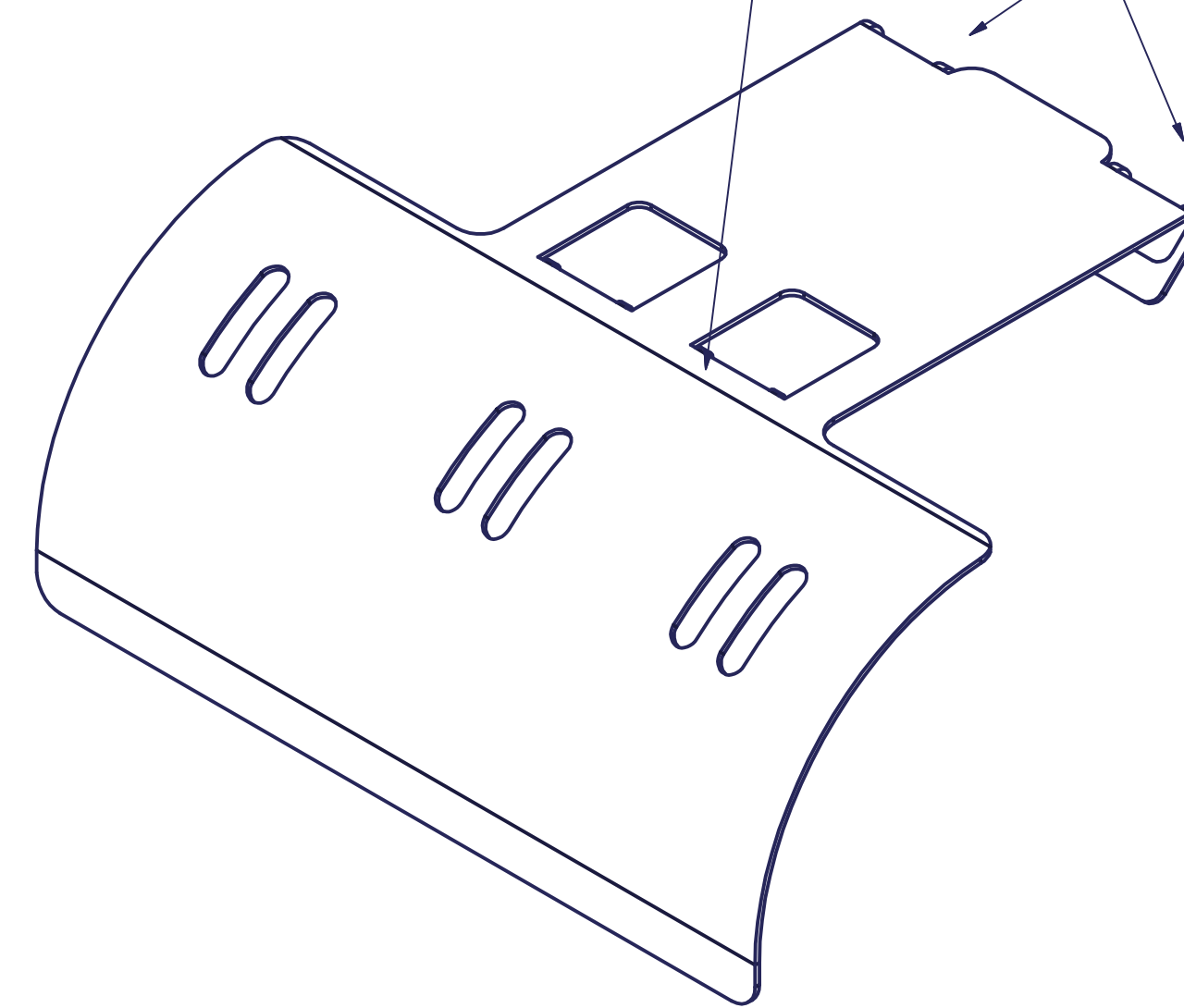
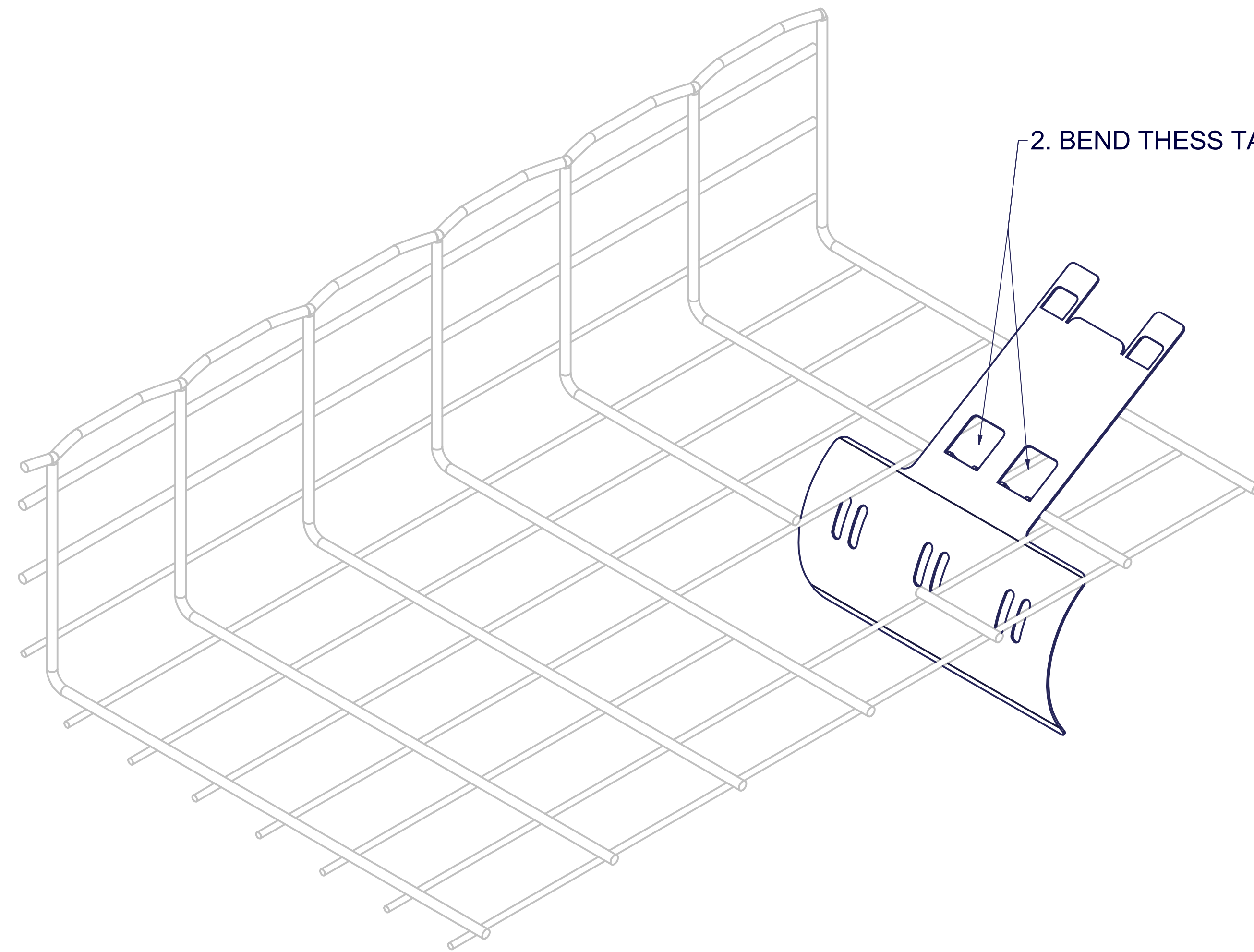
WHEN INSTALLING IN CENTER OF TRAY

1. CUT TRAY RUNGS IN DESRIED LOCATION

2. BEND THESS TABS FIRST TO SET LOCATION. DROP OUT MAY ANGLE IN TRAY

3. PRESS TOP PLATE FLAT IN TRAY.
BENDING/ DEFORMATION ACCEPTABLE WHEN HOOKED UNDER TRAY

4. FASTEN TO TRAY WITH (2) REAR TABS



1 SHEET 2

EST. WEIGHT :
N/A

THIRD ANGLE
PROJECTION

INTERPRET DRAWING PER ASME Y14.5M-1994
DIMENSIONAL LIMITS APPLY
AFTER APPLICATION OF FINISH
DRAWING NOT TO SCALE
TOLERANCE UNLESS OTHERWISE NOTED:
ANGULAR +/- 1°
.XXXX +/- .010
.XXX +/- .015
.XX +/- .030
.X FOR REF. ONLY

UNLESS OTHERWISE SPECIFIED
ALL DIMENSIONS ARE IN INCHES

NOTICE:

Use of this document is subject to a confidentiality and nondisclosure agreement with Great Lakes Case & Cabinet Co., Inc. (GLCC) and may not be reproduced, disclosed or utilized in whole or in part without prior written authorization from GLCC.

PART NUMBER:
GL-WBT-CD
MATERIAL TYPE:
CRS
MATERIAL GAUGE:
0.047 in
FINISH:
POWDERCOATED
DRAWN
VL
CHECKED & APP. DATE

TITLE
BOTTOM OF TRAY RADIUS DROP OUT
GREAT LAKES CASE & CABINET CO., INC.
P.O. BOX 551 EDINBORO, PA 16412
PHONE (814) 734-7303 FAX (814) 734-3907
E-MAIL glcc@greatcabinets.com

DWG NO:
DC#12655
REV
2
SHEET: 2 OF 2