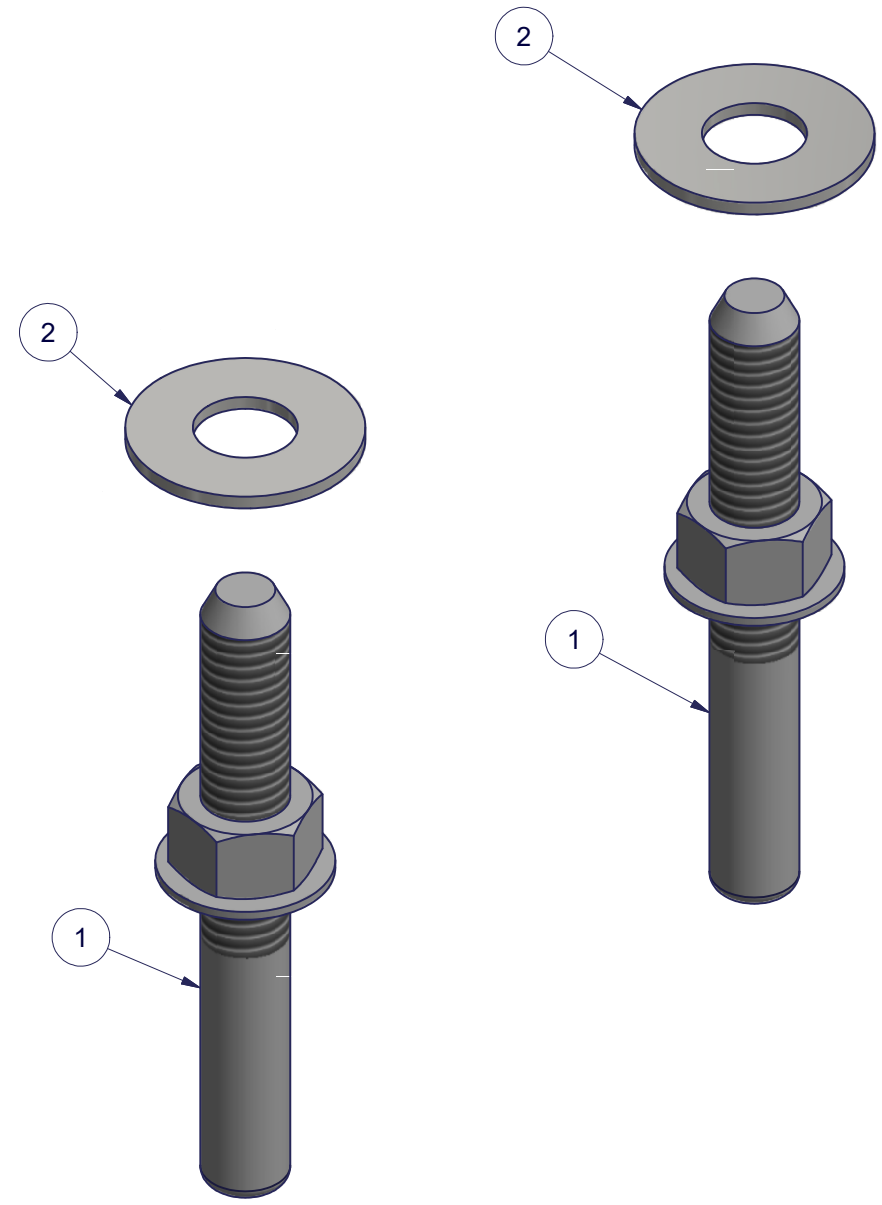


REVISION HISTORY			
REV	DESCRIPTION	DATE	APPROVED
0	ECO-07663	6/26/2019	DRB
1	ECO-07840	3/2/20	CND

Bill of Material						
ITEM	PART NUMBER	STOCK #	QTY	DESCRIPTION	FILE NAME	Rev
1	HDW2FLMTX200		2	3/8X3 ANCHOR KIT (HILTI P/N 2141809 OR EQUIV)	I030997.ipt	-
2		H03-039	2	WASHER, 3/8 USS FLAT STL RBZ	H03-039.ipt	-



NOTES:  
 1. ADD WASHERS TO HARDWARE BAG

**HDW-2-FLMT SPECIFICATIONS**

- Material, corrosion** - Carbon steel, zinc-plated
- Head configuration** - Externally threaded
- Approvals / Test reports** - COLA (City of Los Angeles), FM (Factory Mutual), ICC-ES report (concrete), Nuclear (NQA-1), UL (Underwriter Laboratories)
- Base materials** - Concrete (cracked), Concrete (lightweight), Concrete (lightweight over metal deck), Concrete (uncracked), Masonry (grout-filled CMU)
- Type of fixing** - Pre-fastening, Through-fastening
- Drilling Method (AS)** - Hammer Drilling, Hollow Drill Bit Drilling
- Installation tools** - TE 6-A36, SIW 6AT-A22, TE 30-A36
- SAFEset** - Yes
- PROFIS Software** - Yes
- Product Class** - Ultimate

EST. WEIGHT : N/A	INTERPRET DRAWING PER ASME Y14.5M-1994	<b>NOTICE:</b> Use of this document is subject to a confidentiality and nondisclosure agreement with Great Lakes Case & Cabinet Co., Inc. (GLCC) and may not be reproduced, disclosed or utilized in whole or in part without prior written authorization from GLCC.	PART NUMBER: HDW-2-FLMT	TITLE: 3/8" X 3" ANCHOR KIT
	DIMENSIONAL LIMITS APPLY AFTER APPLICATION OF FINISH		MATERIAL TYPE: SEE NOTES	GREAT LAKES CASE & CABINET CO., INC. P.O. BOX 551 EDINBORO, PA 16412 PHONE (814) 734-7303 FAX (814) 734-3907 E-MAIL glcc@greatcabinets.com
THIRD ANGLE PROJECTION	TOLERANCE UNLESS OTHERWISE NOTED: ANGULAR +/- .1" .XXXX +/- .010 .XXX +/- .015 .XX +/- .030 .X FOR REF. ONLY		FINISH: SEE NOTES	DWG NO: I030997
	UNLESS OTHERWISE SPECIFIED ALL DIMENSIONS ARE IN INCHES		DRAWN DanielB DATE 6/26/2019	REV 1 SHEET: 1 OF 1