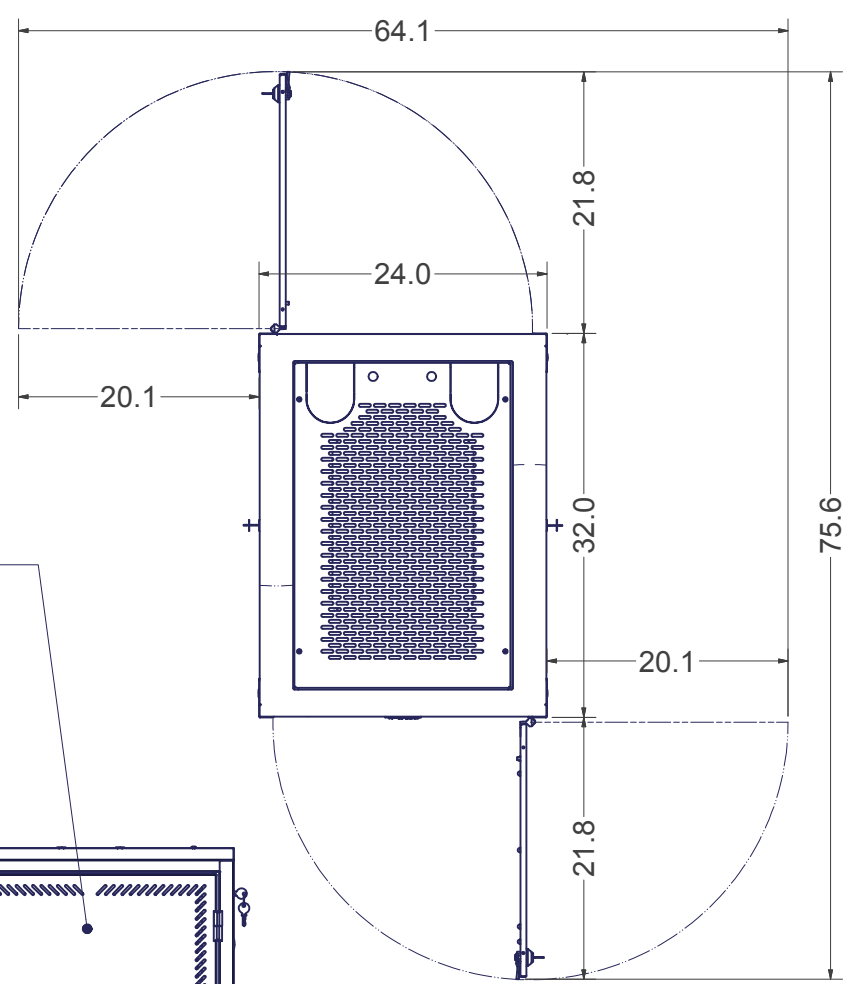
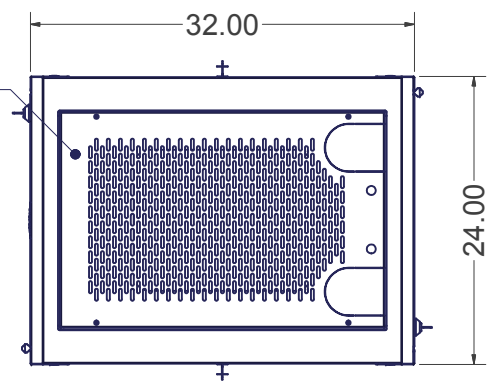
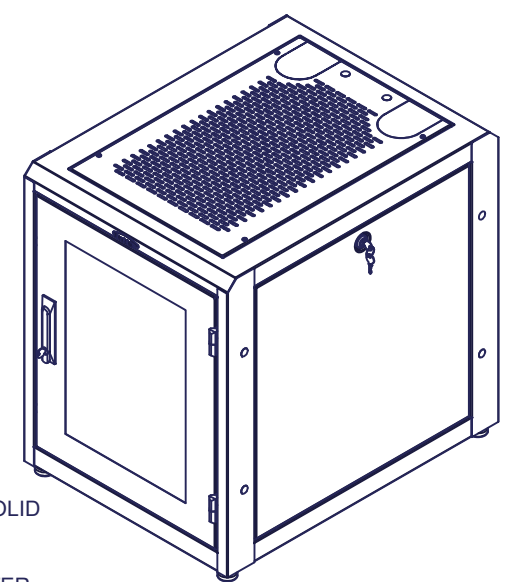
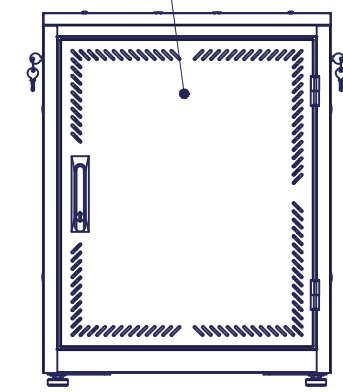
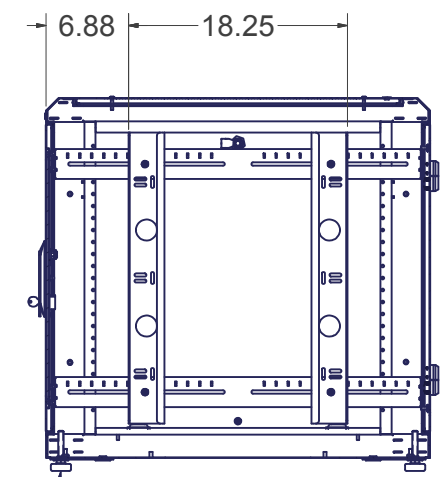
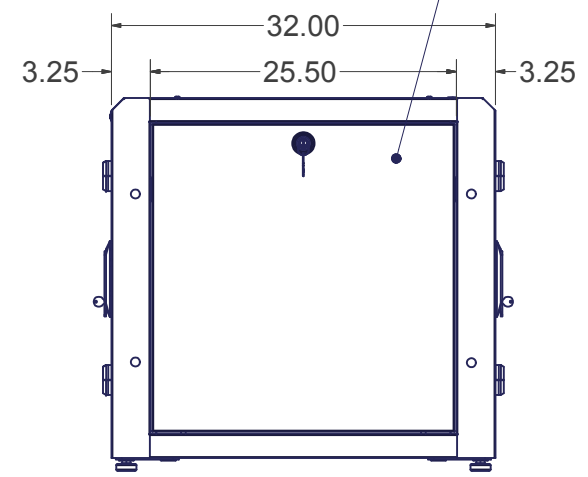
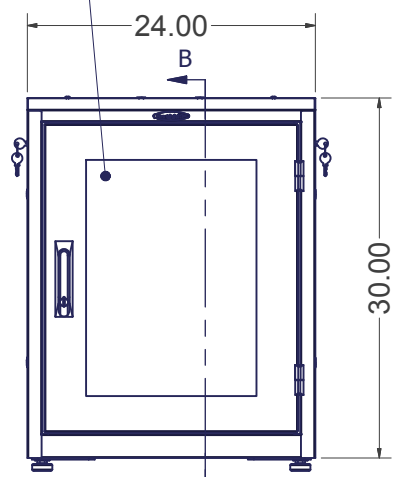
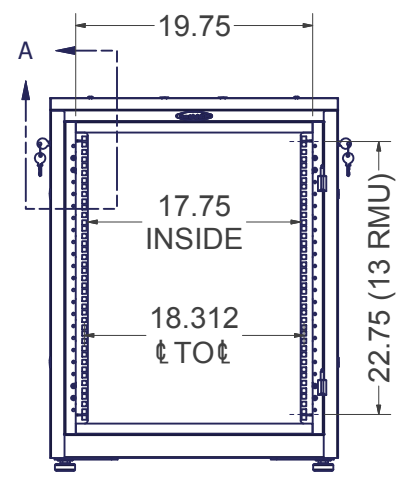


REMOVABLE VENTED TOP PANEL w/ TWO 4" HORSESHOE KNOCKOUTS



PLEXIGLAS FRONT DOOR WITH LOCKING SWING HANDLE, FIELD-REVERSIBLE DOOR HINGES (NO ADDITIONAL HARDWARE REQUIRED)

PAIR OF SOLID LIFT-OFF SIDE PANELS WITH LOCK

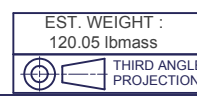
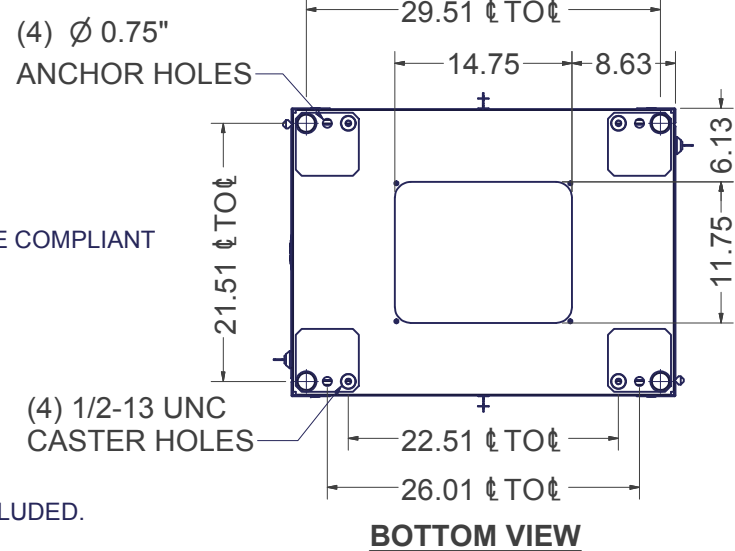


LEVELING GLIDES (4 INCLUDED) 1/2-13 UNC THREADED HOLES

**POPULAR CONFIGURATIONS**  
**GL300E-2432-X-xxxxMS:** CABINET WITH FRONT AND REAR MESH DOORS, PAIR SOLID SIDES, SOLID TOP PANEL; REPLACE 'xxxx' WITH SQM6 OR 1032 TO DESIGNATE MOUNTING RAILS  
**GL300E-2432-X-xxxxMS:** CABINET WITH FRONT PLEXI DOOR AND REAR PERIMETER VENTED SOLID DOOR, PAIR SOLID SIDES, PERFORATED TOP PANEL; REPLACE 'xxxx' WITH SQM6 OR 1032 TO DESIGNATE MOUNTING RAILS

**SPECIFICATIONS:**

- DIMENSIONS:** 30"H X 24"W X 32"D
- RACK SPACES:** 13 RMU w/ NUMBERED RMU INDICATORS, 19" EIA 310-E COMPLIANT
- WEIGHT CAPACITY:** 600 LBS.
- COLOR:** DURABLE TEXTURE POWDER COATING
- CONSTRUCTION:** 2 PAIR MOUNTING RAILS, #12 GA. C.R.S. FULLY WELDED FRAME, #16 GA. C.R.S. DOOR, SIDE PANELS, TOP PANEL, #16 GA. C.R.S.
- HARDWARE:** PACKAGE OF QTY-50; M6 SCREWS AND CAGE NUTS, INCLUDED.



INTERPRET DRAWING PER ASME Y14.5M-1994
DIMENSIONAL LIMITS APPLY AFTER APPLICATION OF FINISH
DRAWING NOT TO SCALE
TOLERANCE UNLESS OTHERWISE NOTED:
ANGULAR +/- .1°
.XXXX +/- .010
.XXX +/- .015
.XX +/- .030
.X FOR REF. ONLY
UNLESS OTHERWISE SPECIFIED ALL DIMENSIONS ARE IN INCHES

**NOTICE:**

Use of this document is subject to a confidentiality and nondisclosure agreement with Great Lakes Case & Cabinet Co., Inc. (GLCC) and may not be reproduced, disclosed or utilized in whole or in part without prior written authorization from GLCC.

PART NUMBER: GL300E-2432-B-xxxxMS/P	TITLE: BASE UNIT 30"H x 24"W x 32"D ENHANCED
QTY PER UNIT: 1	GREAT LAKES CASE & CABINET CO., INC.
MATERIAL TYPE: CRS	P.O. BOX 551 EDINBORO, PA 16412
MATERIAL GAUGE:	PHONE (814) 734-7303 FAX (814) 734-3907
FINISH: POWDERCOAT	E-MAIL glcc@greatcabinets.com
DRAWN: CDM	DATE: 3/9/2012
CHECKED & APP. WSS	DATE: 3/16/2012

DWG NO: GL300E-2432-B-xxxxMS/P	REV: 0	SHEET: 1 OF 1
--------------------------------	--------	---------------