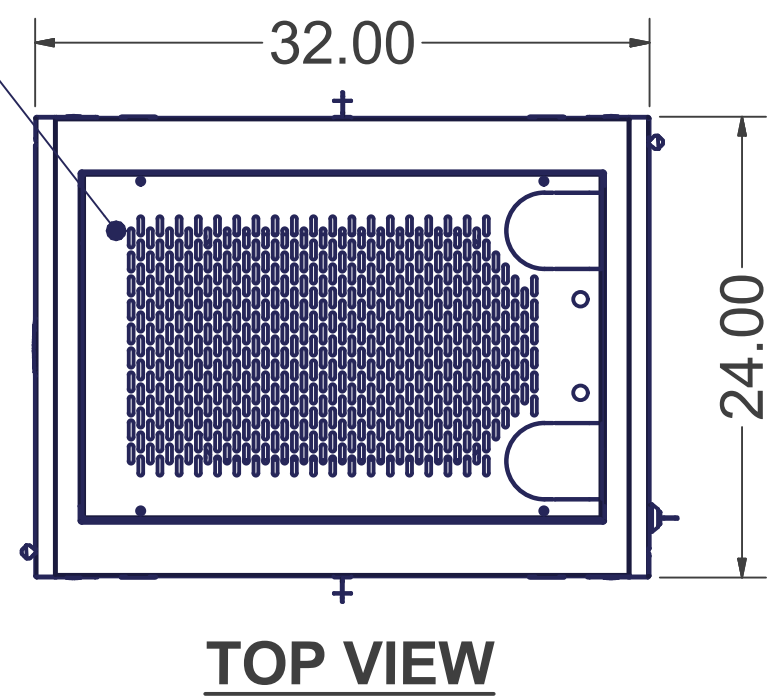
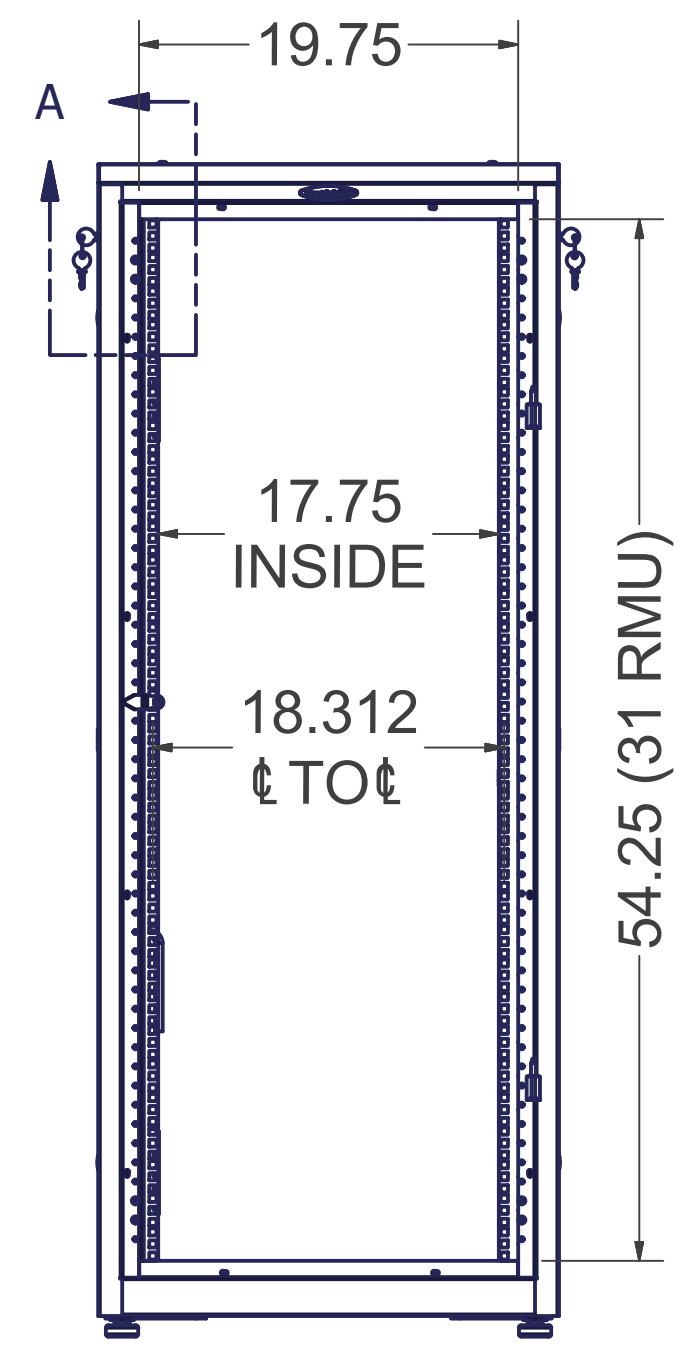
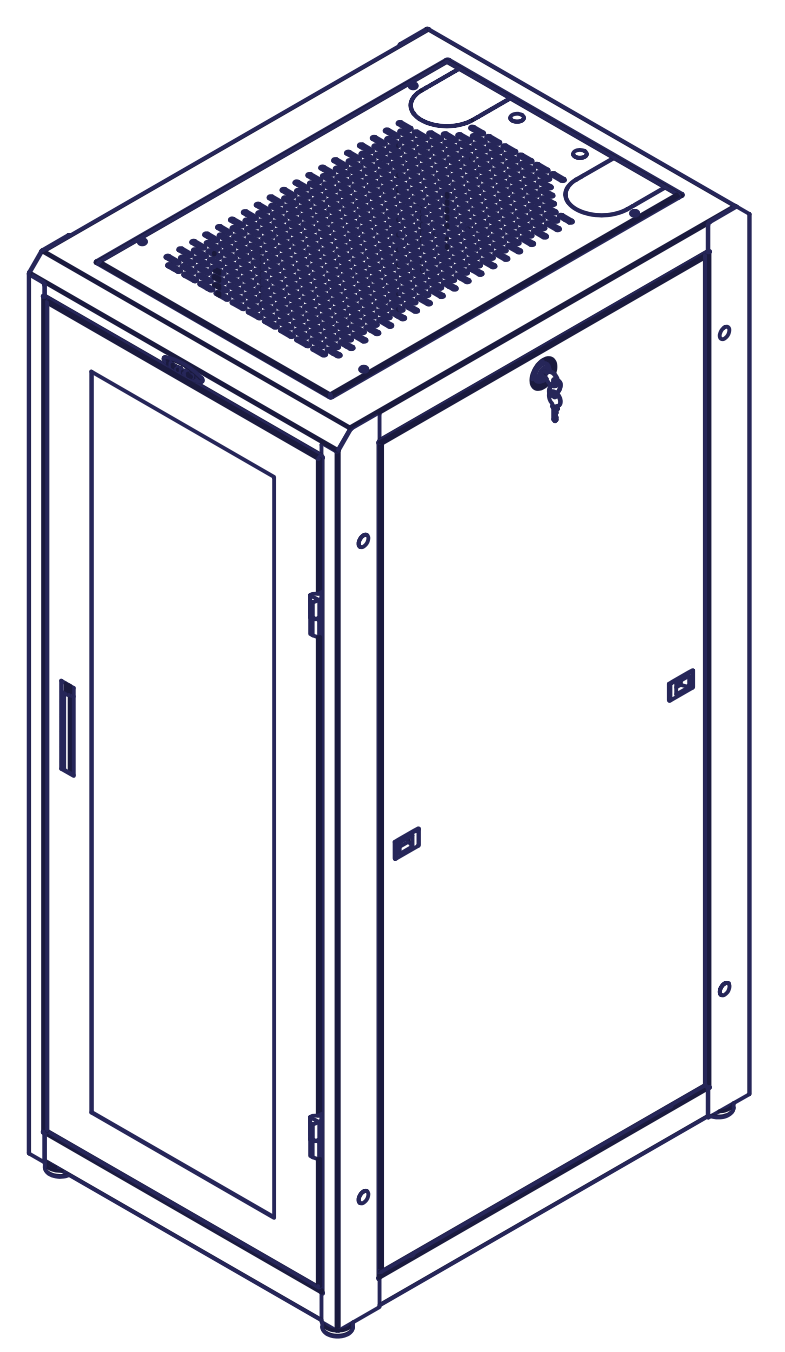
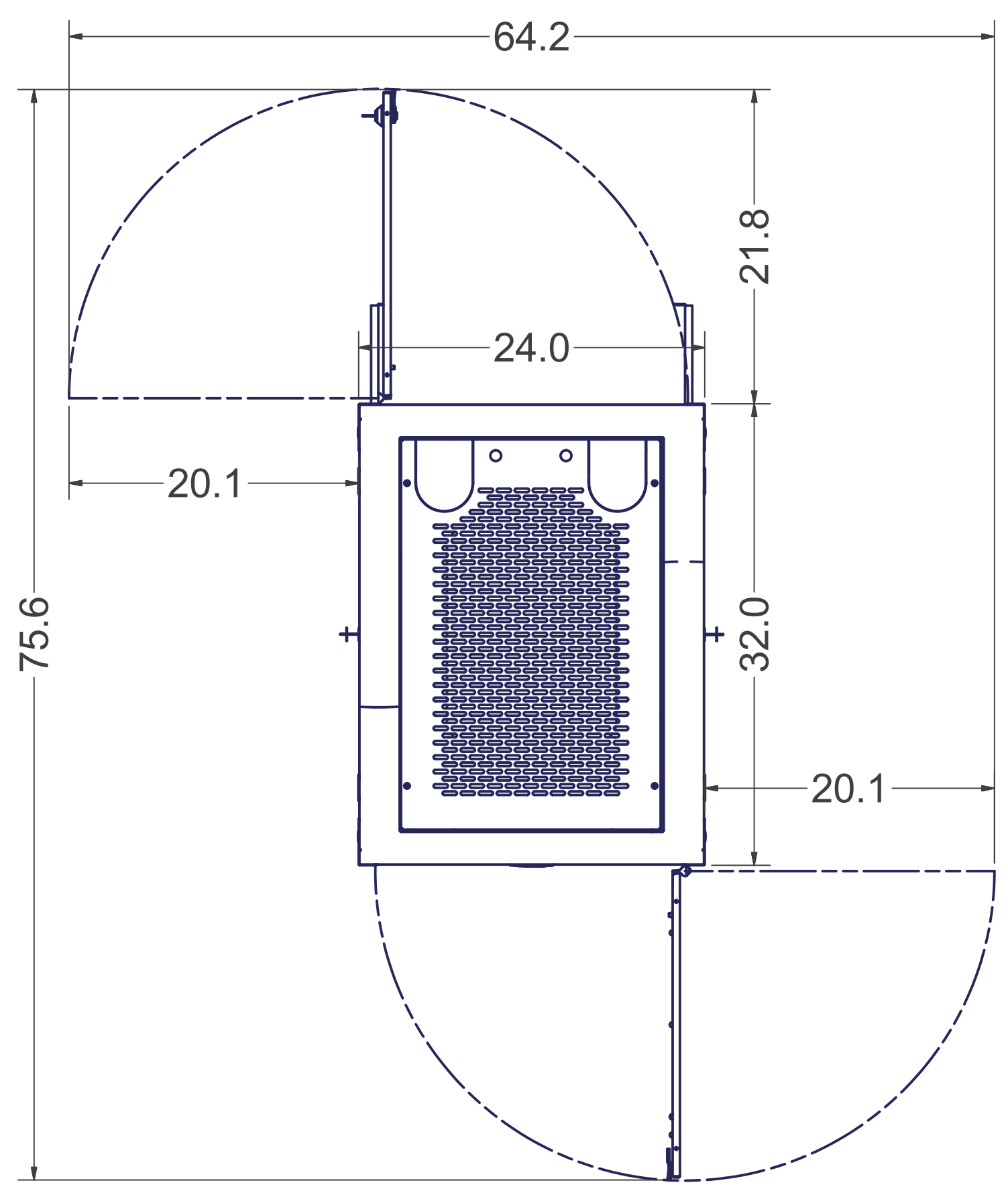


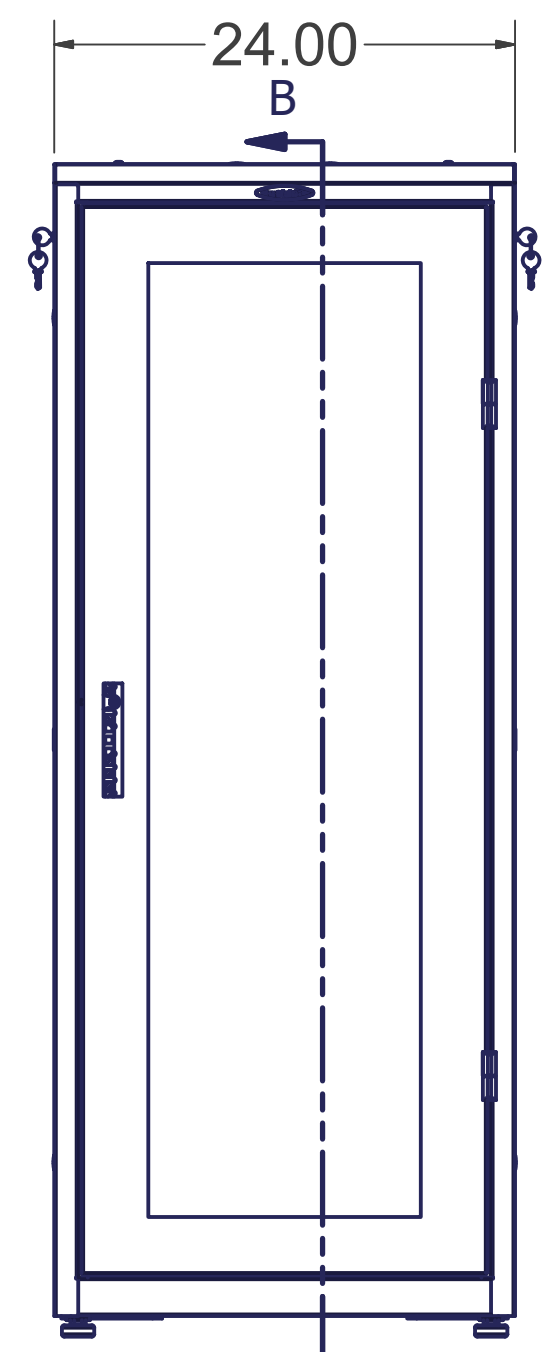
DETAIL A - 3/8" SQUARE MTG. HOLES 19" EIA 310-E COMPLIANT



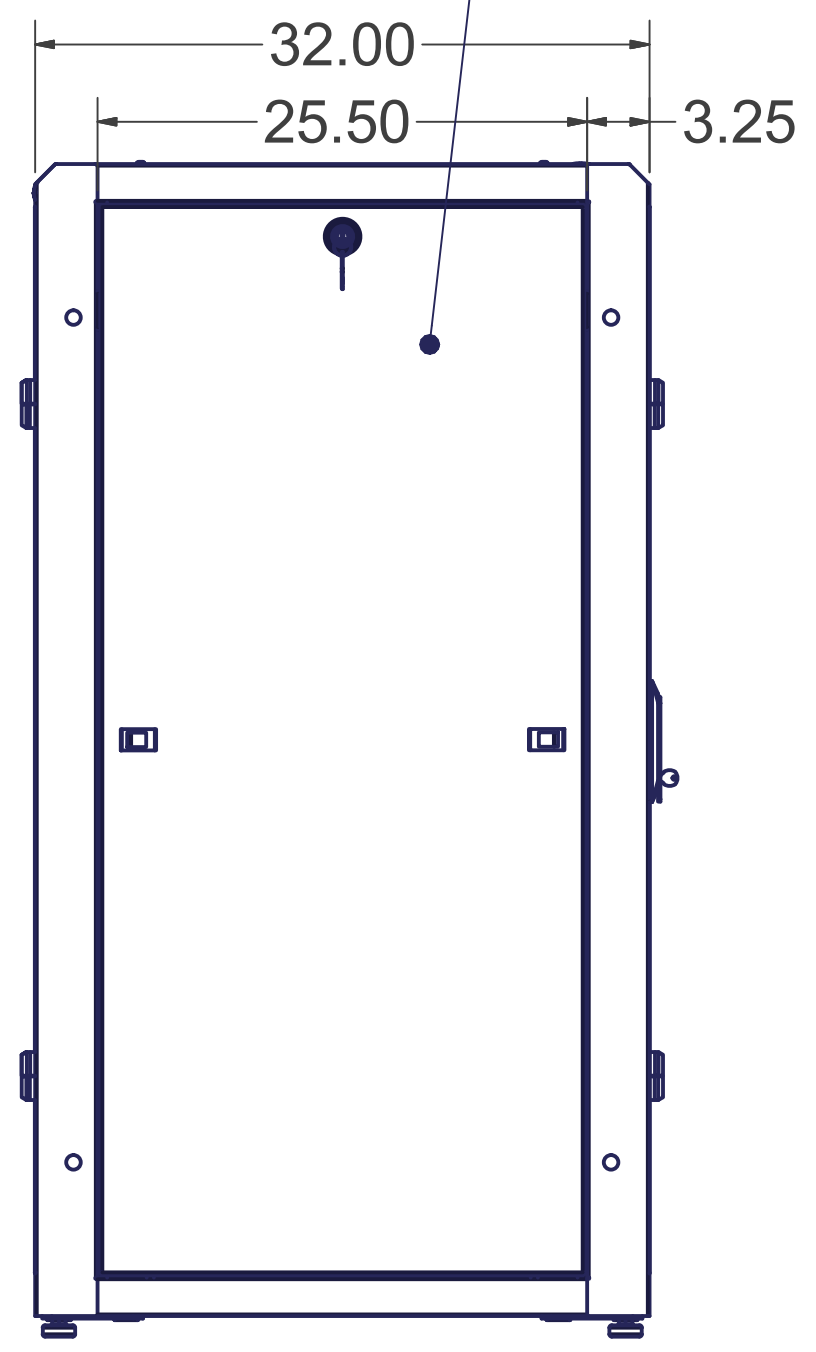
TOP VIEW



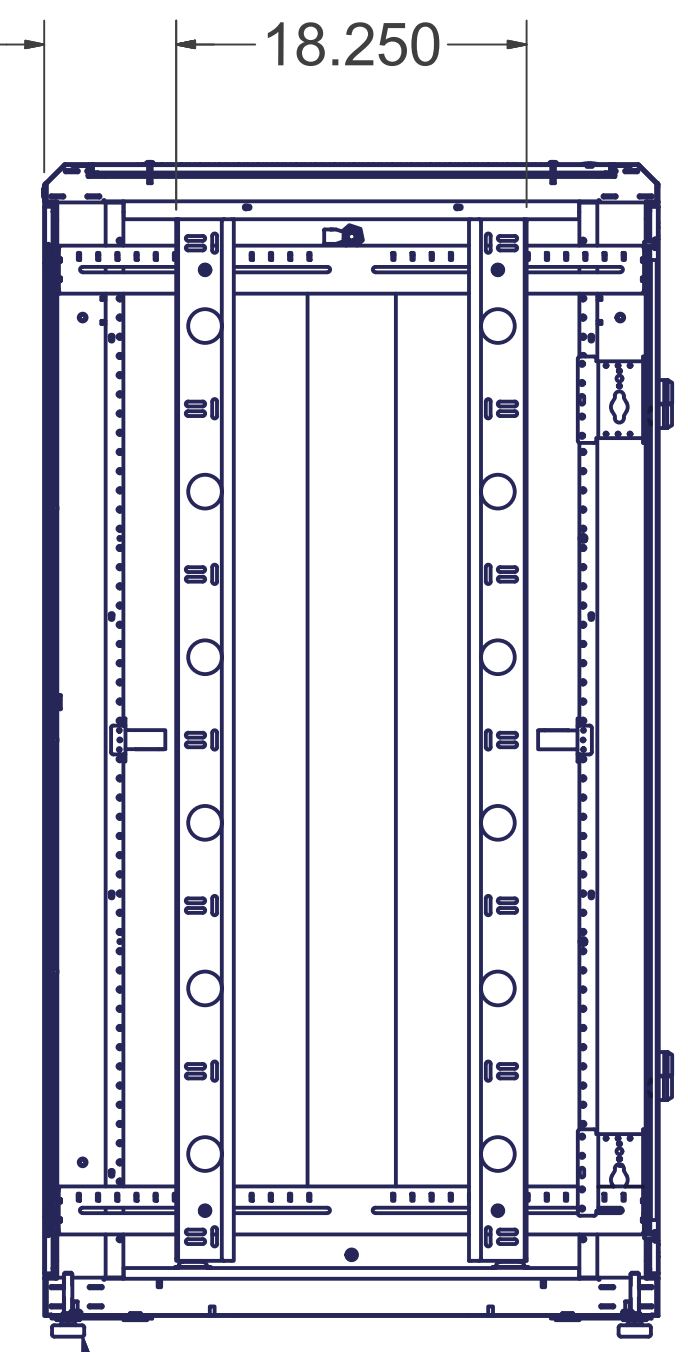
FRONT VIEW w/ DOORS REMOVED



FRONT VIEW



RIGHT SIDE VIEW



SECTION B-B

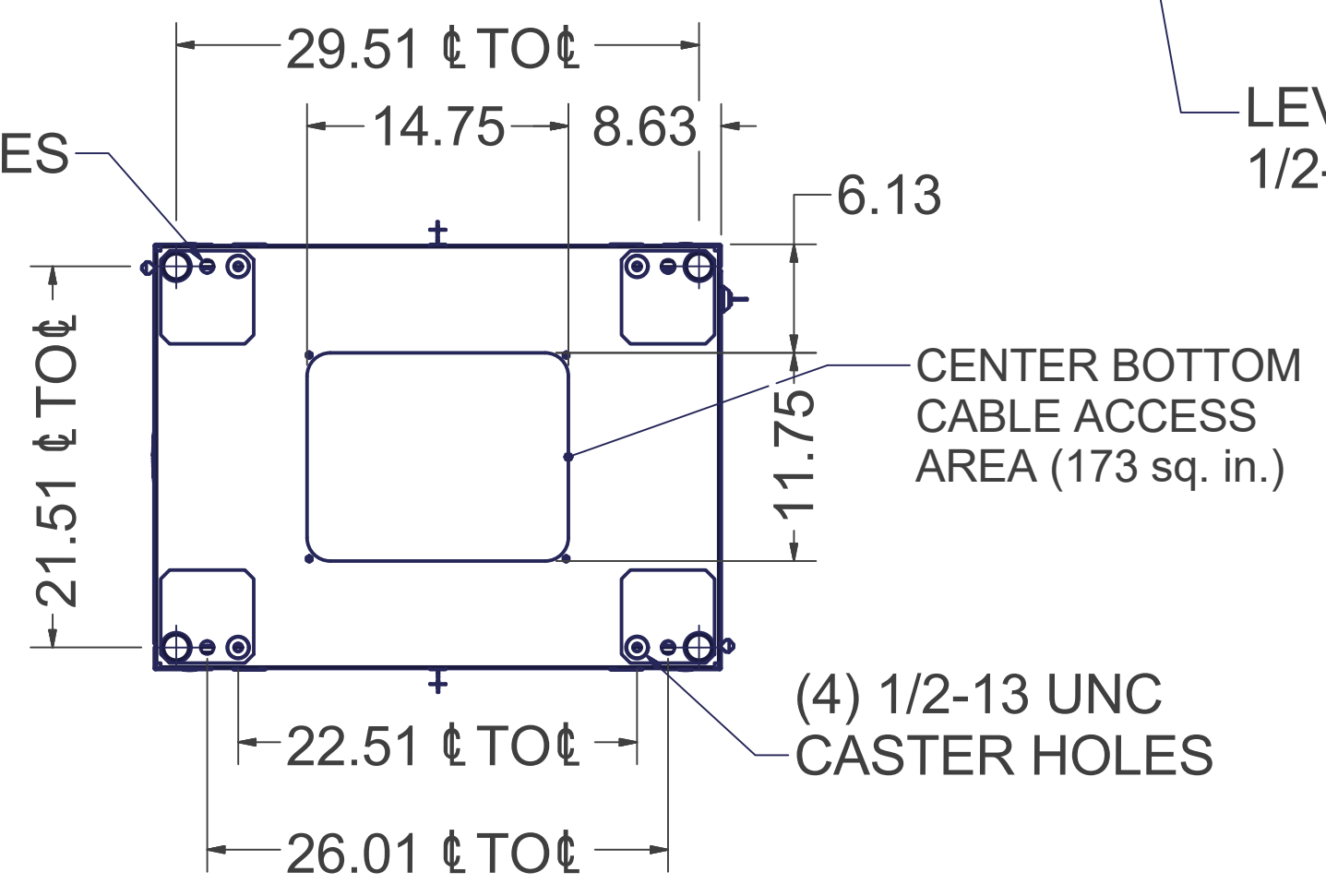
PAIR OF SOLID LIFT-OFF SIDE PANELS WITH LOCK

SPECIFICATIONS:

- DIMENSIONS:** 60"H X 24"W X 32"D
- RACK SPACES:** 31 RMU w/ NUMBERED RMU INDICATORS, 19" EIA 310-E COMPLIANT
- WEIGHT CAPACITY:** 600 LBS.
- COLOR:** DURABLE TEXTURE POWDER COATING
- CONSTRUCTION:** 2 PAIR MOUNTING RAILS, #12 GA. C.R.S. FULLY WELDED FRAME, #16 GA. C.R.S. DOOR, SIDE PANELS, TOP PANEL, #16 GA. C.R.S.
- HARDWARE:** PACKAGE OF QTY-50; M6 SCREWS AND CAGE NUTS, INCLUDED.

(4) Ø 0.75" ANCHOR HOLES

LEVELING GLIDES (4 INCLUDED)
1/2-13 UNC THREADED HOLES



BOTTOM VIEW

POPULAR CONFIGURATIONS

- GL600E-2432-X-xxxxMS:** CABINET WITH FRONT AND REAR MESH DOORS, PAIR SOLID SIDES, SOLID TOP PANEL; REPLACE 'xxxx' WITH SQM6 OR 1032 TO DESIGNATE MOUNTING RAILS
- GL600E-2432-X-xxxxMS:** CABINET WITH FRONT PLEXI DOOR AND REAR PERIMETER VENTED SOLID DOOR, PAIR SOLID SIDES, PERFORATED TOP PANEL; REPLACE 'xxxx' WITH SQM6 OR 1032 TO DESIGNATE MOUNTING RAILS

ADDITIONAL CONFIGURATIONS AVAILABLE; SEE CHART TO THE LEFT

600ES-2432-X-X-X-X-X-X
COLOR FRONT DOOR REAR DOOR SIDE PANEL RAILS TOP PANEL
OPTIONS WITH * MAY NOT BE CONFIGURABLE ON WEBSITE. CONTACT FOR MORE INFORMATION

E PART NUMBER LEGEND					
COLOR	FRONT DOOR	REAR DOOR	SIDE PANEL	RAILS	TOP PANEL
B Black	0 None*	0 None*	0 None*	0 None*	0 None*
W White	6 Plexi (shown)	8 Perimeter Vented Steel	1 Single Solid	1 19" EIA 10-32 Rails	2 Fan Top
	7 Perimeter Vented Plexi	9 Solid	3 Pair Solid (shown)	5 19" M6 Cage Nuts (shown)	3 Solid Top
	A Mesh	A Mesh	4 Pair Vented		5 Perf. Top (shown)
	B Split Mesh	B Split Mesh			

NOTICE:

Use of this document is subject to a confidentiality and nondisclosure agreement with Great Lakes Data Racks & Cabinets and may not be reproduced, disclosed or utilized in whole or in part without prior written authorization from Great Lakes.



INTERPRET DRAWING PER ASME Y14.5M-1994	DRAWING NOT TO SCALE
DIMENSIONAL LIMITS APPLY AFTER APPLICATION OF FINISH	
TOLERANCE UNLESS OTHERWISE NOTED:	
ANGULAR +/- .1°	
.XXXX +/- .010	
.XXX +/- .015	
.XX +/- .030	
.X FOR REF. ONLY	
UNLESS OTHERWISE SPECIFIED ALL DIMENSIONS ARE IN INCHES	

PART NUMBER: 600E-2432-X-xxxxMS/P	TITLE: BASE UNIT 60"H x 24"W x 32"D ENHANCED
MATERIAL TYPE:	GREAT LAKES DATA RACKS & CABINETS P.O. BOX 551 EDINBORO, PA 16412 PHONE (814) 734-7303 FAX (814) 734-3907 E-MAIL info@greatcabinets.com
MATERIAL GAUGE:	
FINISH:	
DRAWN DATE CDM 3/9/2012	DWG NO: 600E-2432-X-xxxxMS/P
CHECKED & APP. DATE	REV
	SHEET: 1 OF 1