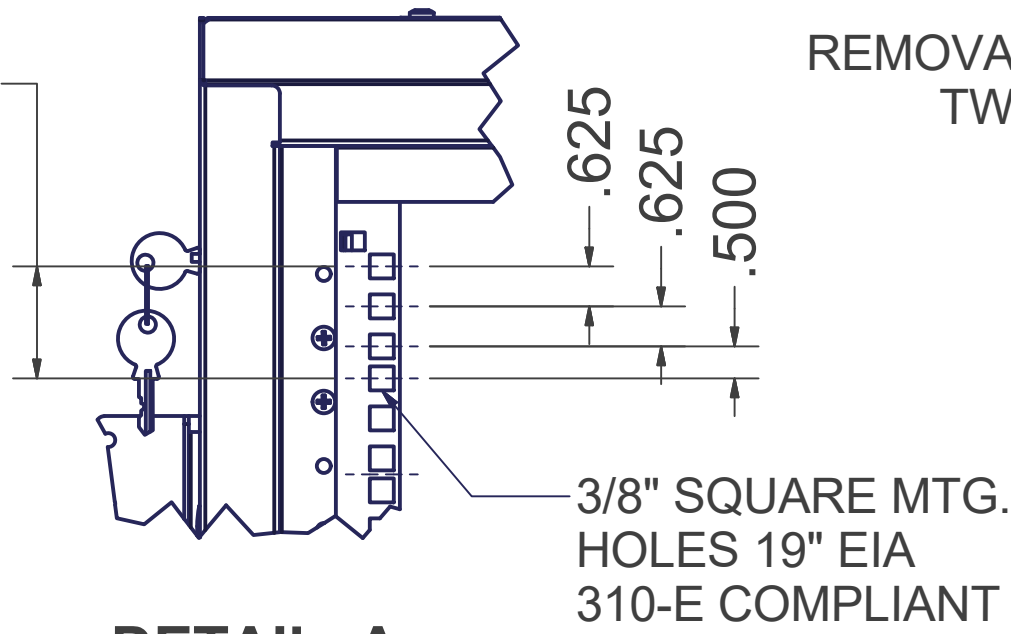
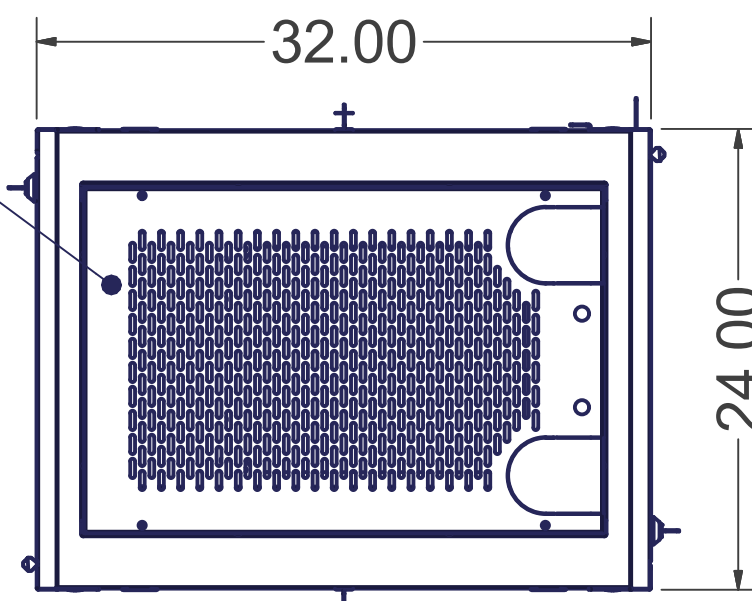


1.750 (1RMU)  
REPEATS (37x)



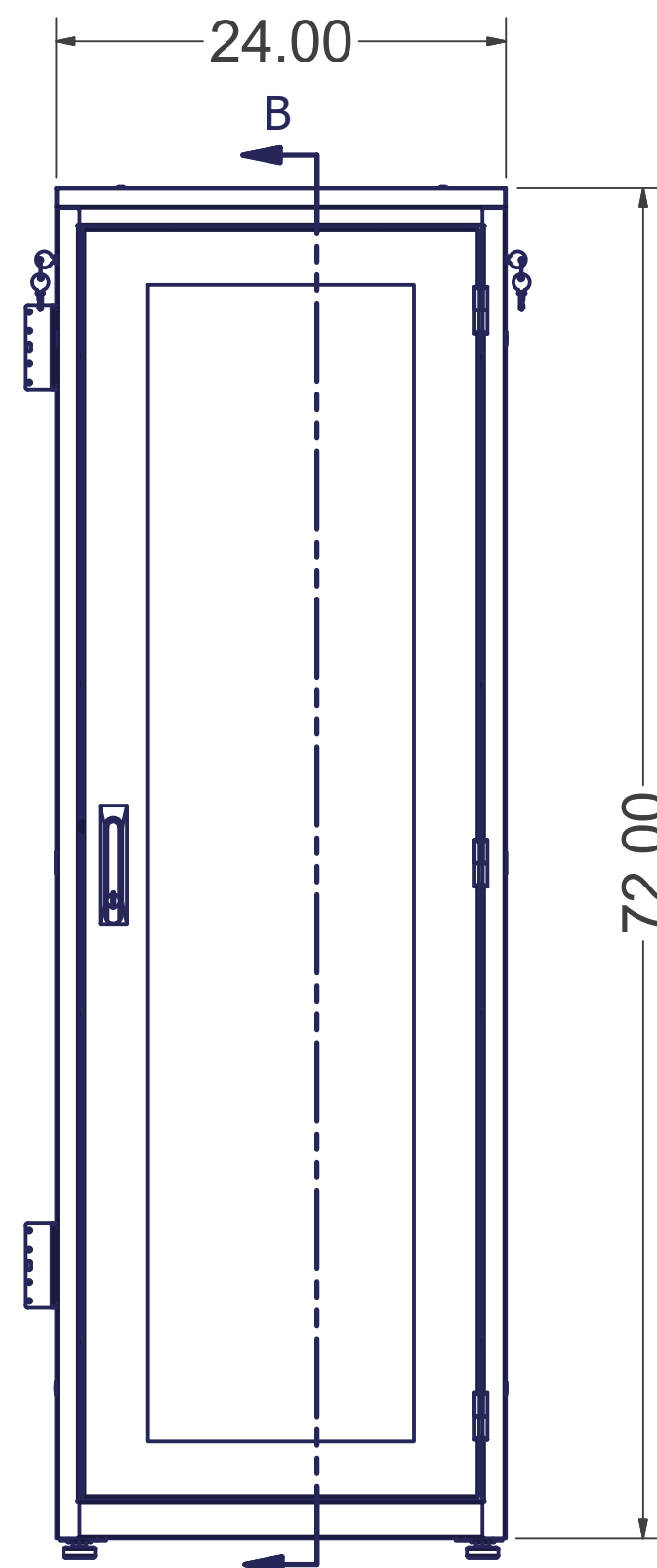
**DETAIL A**

REMOVABLE VENTED TOP PANEL WITH  
TWO 4" HORSESHOE KNOCKOUTS

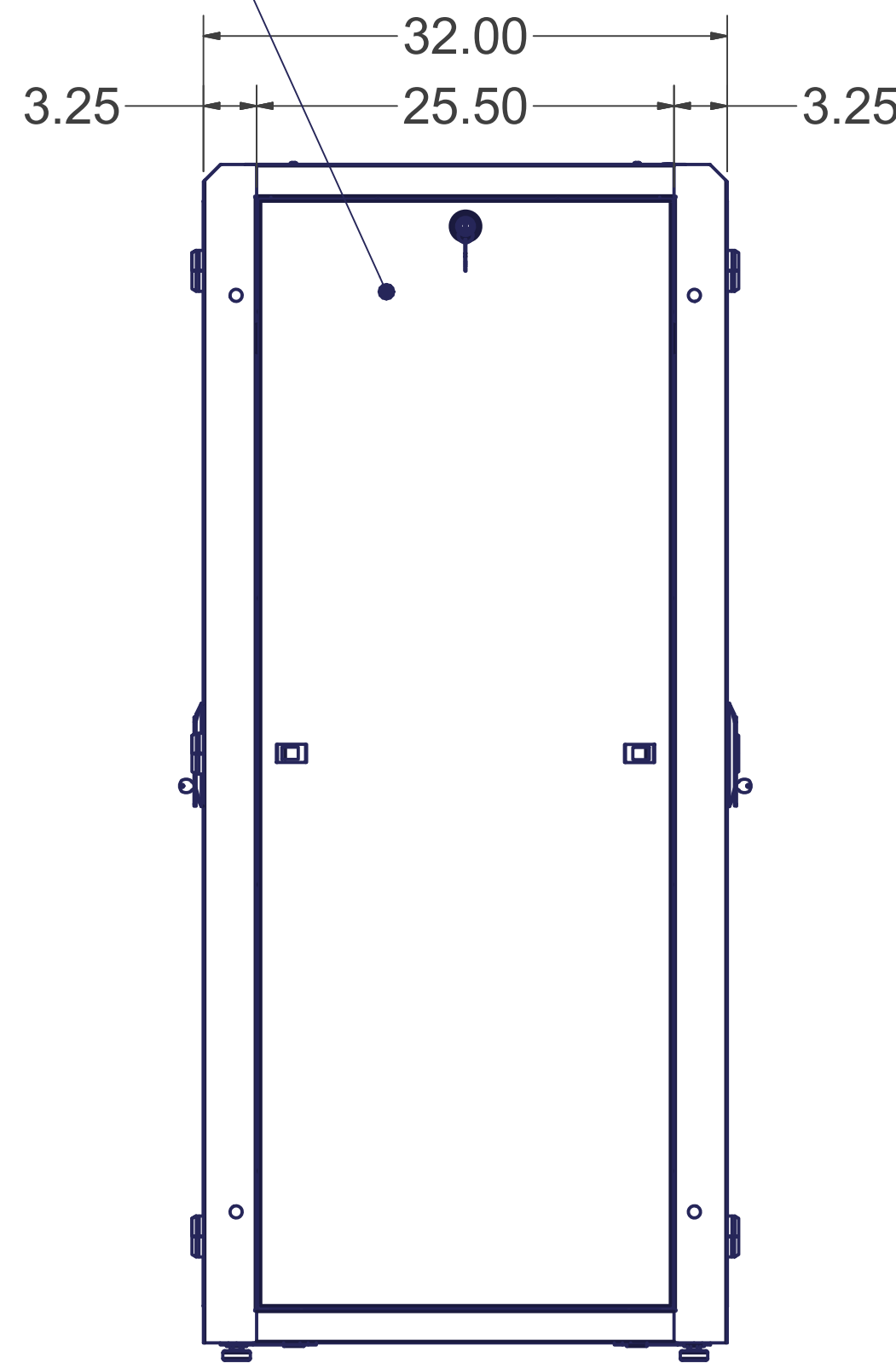


**TOP VIEW**

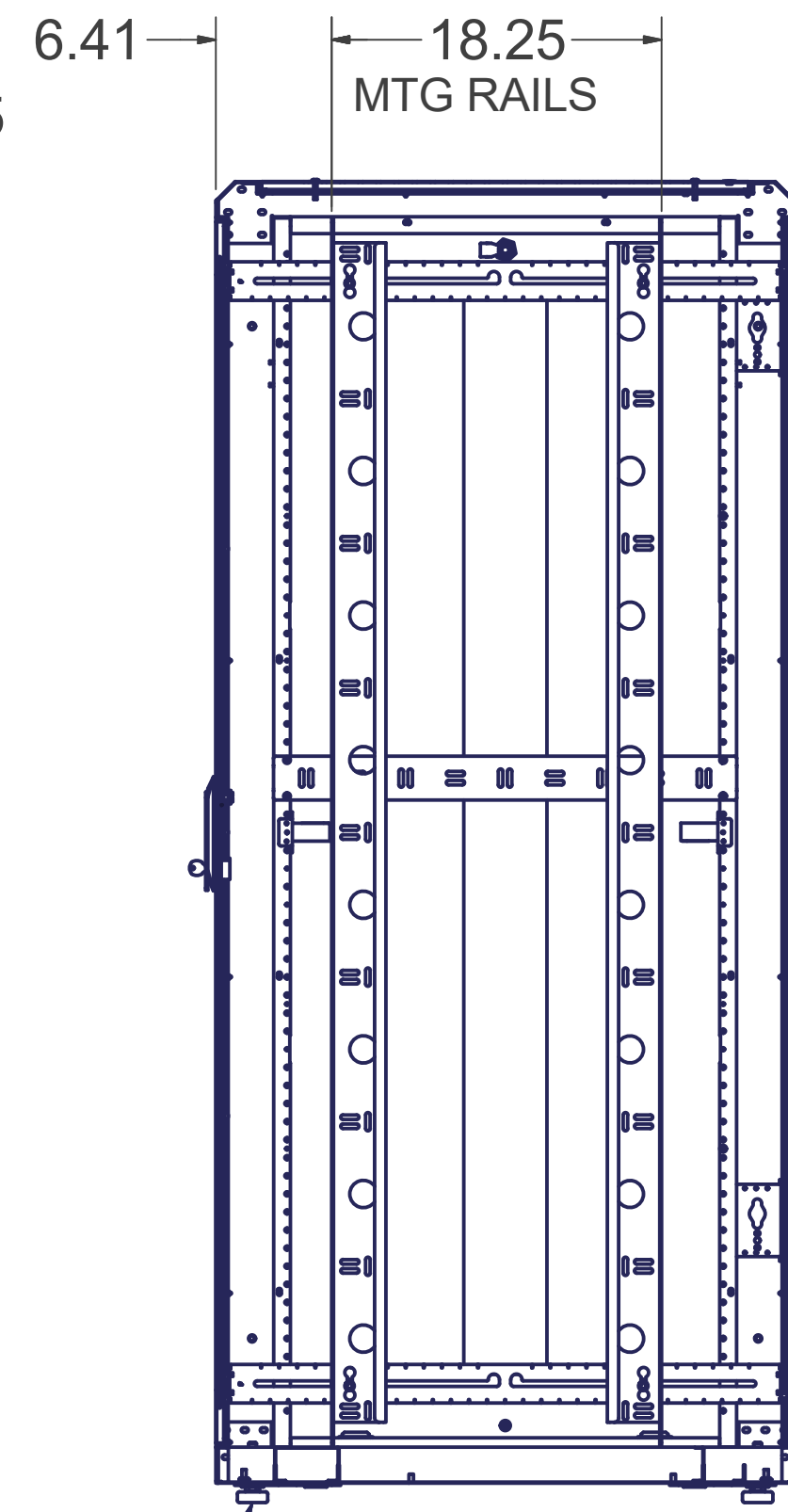
PAIR OF STANDARD SOLID LIFT OFF SIDE PANELS  
(7910-36ELS) w/ LOCK & FINGER RELEASE LATCHES



**FRONT VIEW**

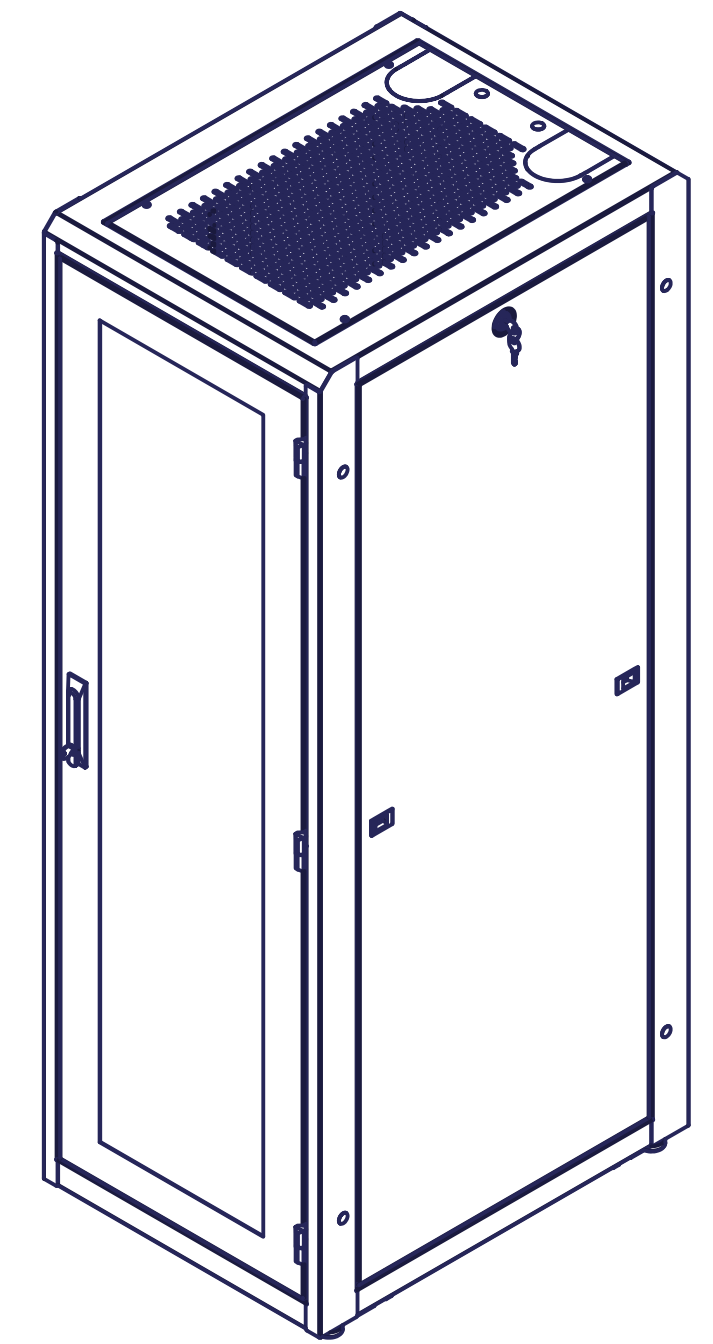
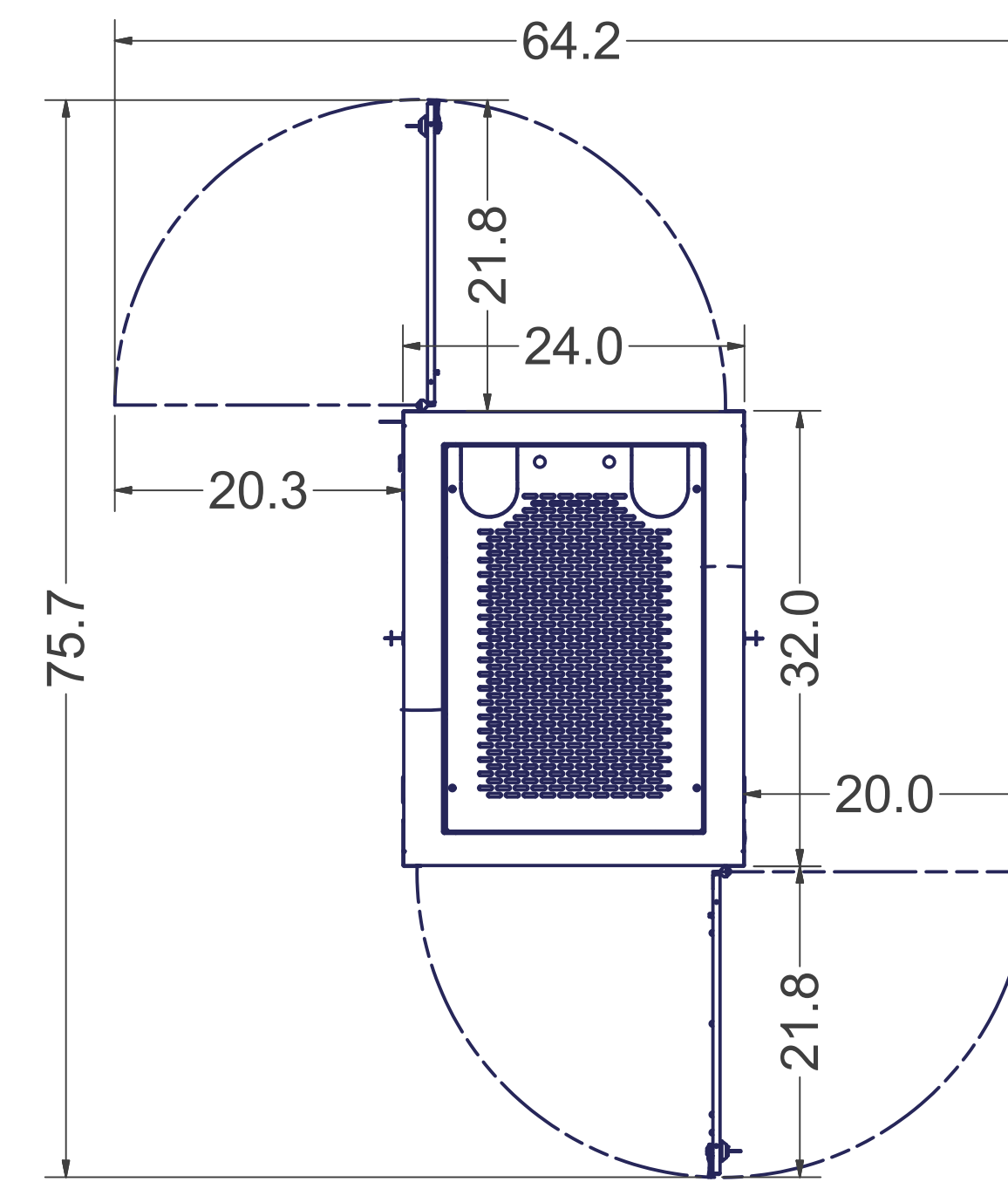


**RIGHT SIDE VIEW**



**SECTION B-B**

LEVELING GLIDES (4 INCLUDED)  
1/2-13 UNC THREADED HOLES



**SPECIFICATIONS:**

**DIMENSIONS:** 72"H X 24"W X 32"D

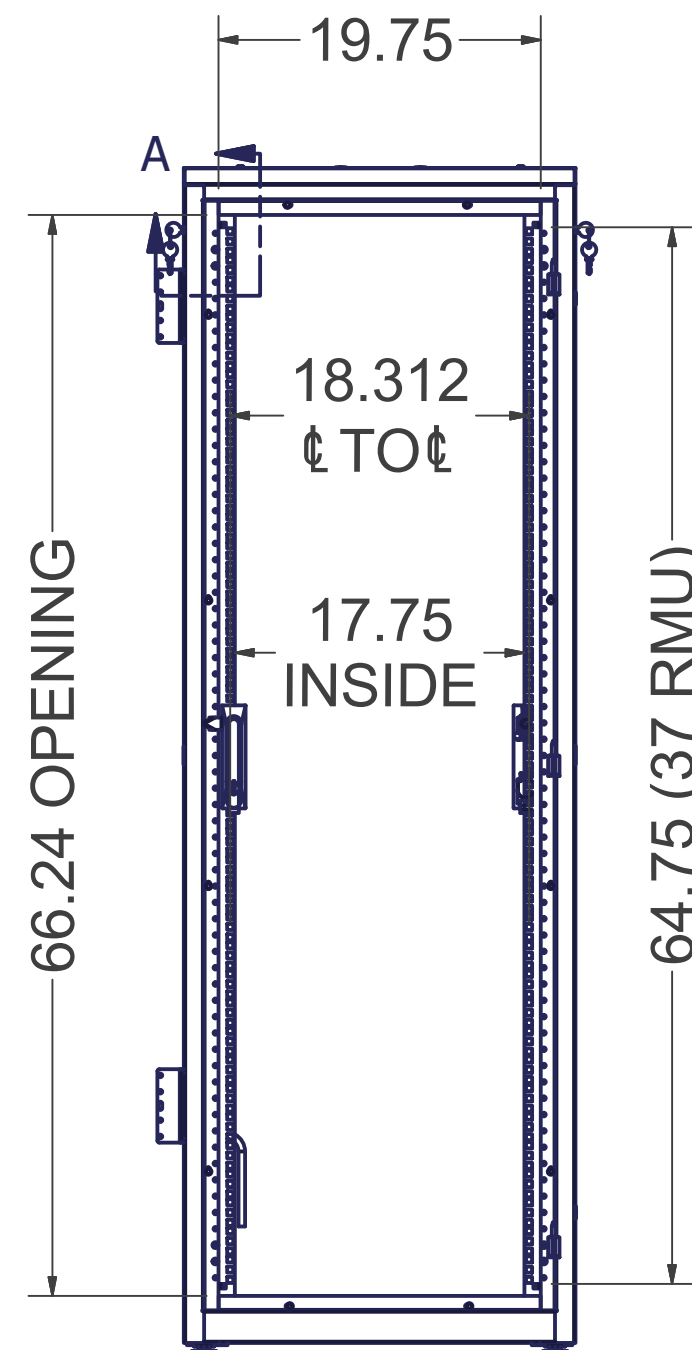
**RACK SPACES:** 37 RMU w/ NUMBERED RMU INDICATORS, 19" EIA 310-E COMPLIANT

**WEIGHT CAPACITY:** 1500 LBS.

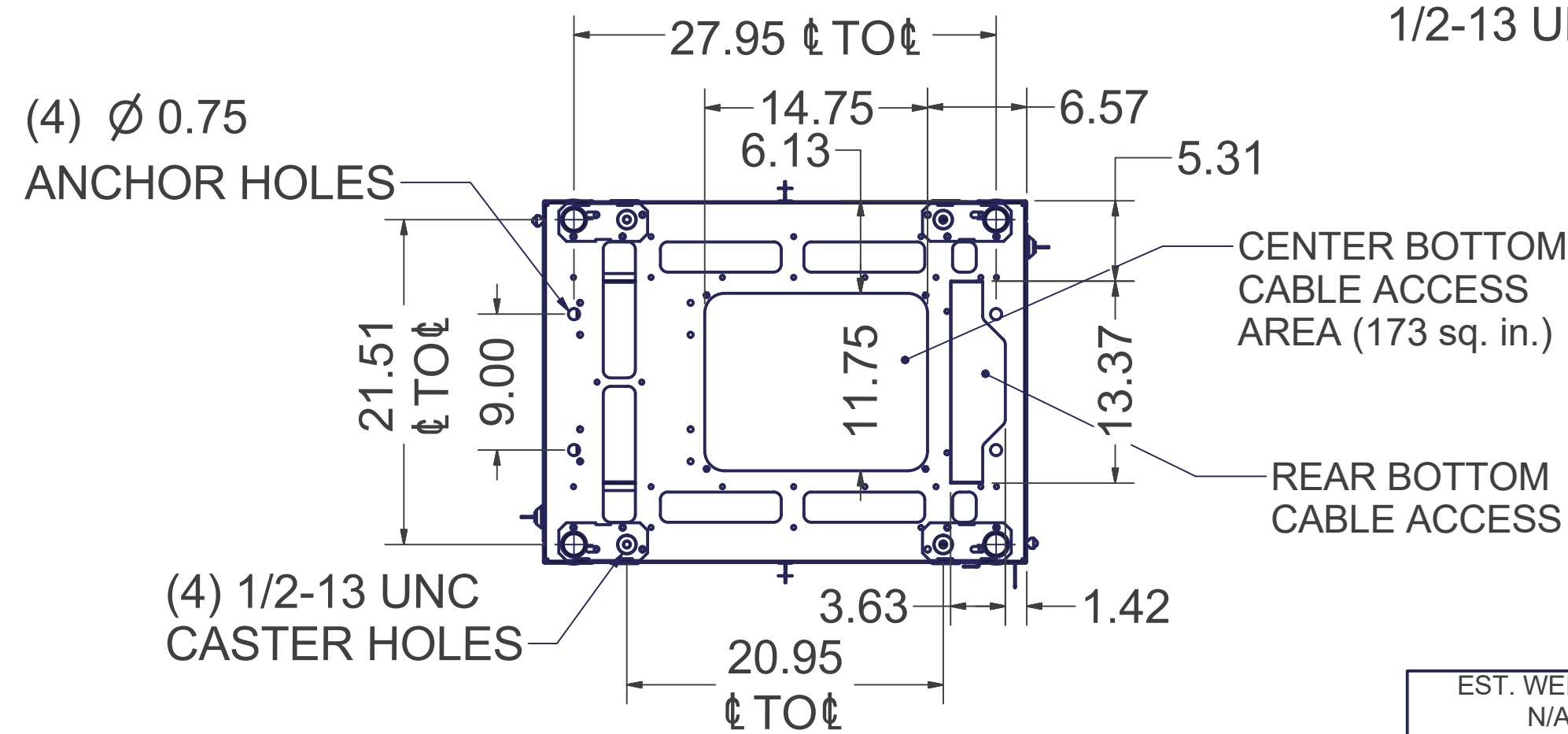
**COLOR:** DURABLE TEXTURE POWDER COATING

**CONSTRUCTION:** 2 PAIR MOUNTING RAILS, #12 GA. C.R.S.  
FULLY WELDED FRAME, #16 GA. C.R.S.  
DOOR, SIDE PANELS, TOP PANEL, #16 GA. C.R.S.

**HARDWARE:** PACKAGE OF QTY-50; M6 SCREWS AND CAGE NUTS, INCLUDED.



**FRONT VIEW  
DOORS REMOVED**



**BOTTOM VIEW**

**POPULAR CONFIGURATIONS**

**GL720E-2432-X-xxxxMS:** CABINET WITH FRONT AND REAR MESH DOORS, PAIR SOLID SIDES, SOLID TOP PANEL; REPLACE 'xxxx' WITH SQM6 OR 1032 TO DESIGNATE MOUNTING RAILS  
**GL720E-2432-X-xxxxMS:** CABINET WITH FRONT PLEXI DOOR AND REAR PERIMETER VENTED SOLID DOOR, PAIR SOLID SIDES, PERFORATED TOP PANEL; REPLACE 'xxxx' WITH SQM6 OR 1032 TO DESIGNATE MOUNTING RAILS  
**ADDITIONAL CONFIGURATIONS AVAILABLE; SEE CHART TO THE LEFT**

INTERPRET DRAWING PER ASME Y14.5M-1994
DIMENSIONAL LIMITS APPLY AFTER APPLICATION OF FINISH
DRAWING NOT TO SCALE
TOLERANCE UNLESS OTHERWISE NOTED:
ANGULAR +/- .1°
.XXXX +/- .010
.XXX +/- .015
.XX +/- .030
.X FOR REF. ONLY
UNLESS OTHERWISE SPECIFIED ALL DIMENSIONS ARE IN INCHES

**NOTICE:**

Use of this document is subject to a confidentiality and nondisclosure agreement with Great Lakes Data Racks & Cabinets and may not be reproduced, disclosed or utilized in whole or in part without prior written authorization from Great Lakes.

PART NUMBER: 720E-2432-X-xxxxMS/P	TITLE: 72"H x 24"W x 32"D ENHANCED BASE UNIT ASSEMBLY
MATERIAL TYPE:	GREAT LAKES DATA RACKS & CABINETS P.O. BOX 551 EDINBORO, PA 16412 PHONE (814) 734-7303 FAX (814) 734-3907 E-MAIL info@greatcabinets.com
MATERIAL GAUGE:	
FINISH:	DWG NO: 720E-2432-X-xxxxMS/P
DRAWN DATE CDM 3/12/2012	REV
CHECKED & APP. DATE	SHEET: 1 OF 1

OPTIONS WITH \* MAY NOT BE CONFIGURABLE ON WEBSITE. CONTACT FOR MORE INFORMATION

**E PART NUMBER LEGEND**

COLOR	FRONT DOOR	REAR DOOR	SIDE PANEL	RAILS	TOP PANEL
B Black	0 None*	0 None*	0 None*	0 None*	0 None*
W White	6 Plexi (shown)	8 Perimeter Vented Steel	1 Single Solid	1 19" EIA 10-32 Rails	2 Fan Top
	A Mesh	9 Solid	3 Pair Solid (shown)	5 19" M6 Cage Nuts (shown)	3 Solid Top
		A Mesh	4 Pair Vented		5 Perf Top (shown)

COLOR  
FRONT DOOR  
REAR DOOR  
SIDE PANEL  
RAILS  
TOP PANEL

720E-2432-X-X-X-X-X-X