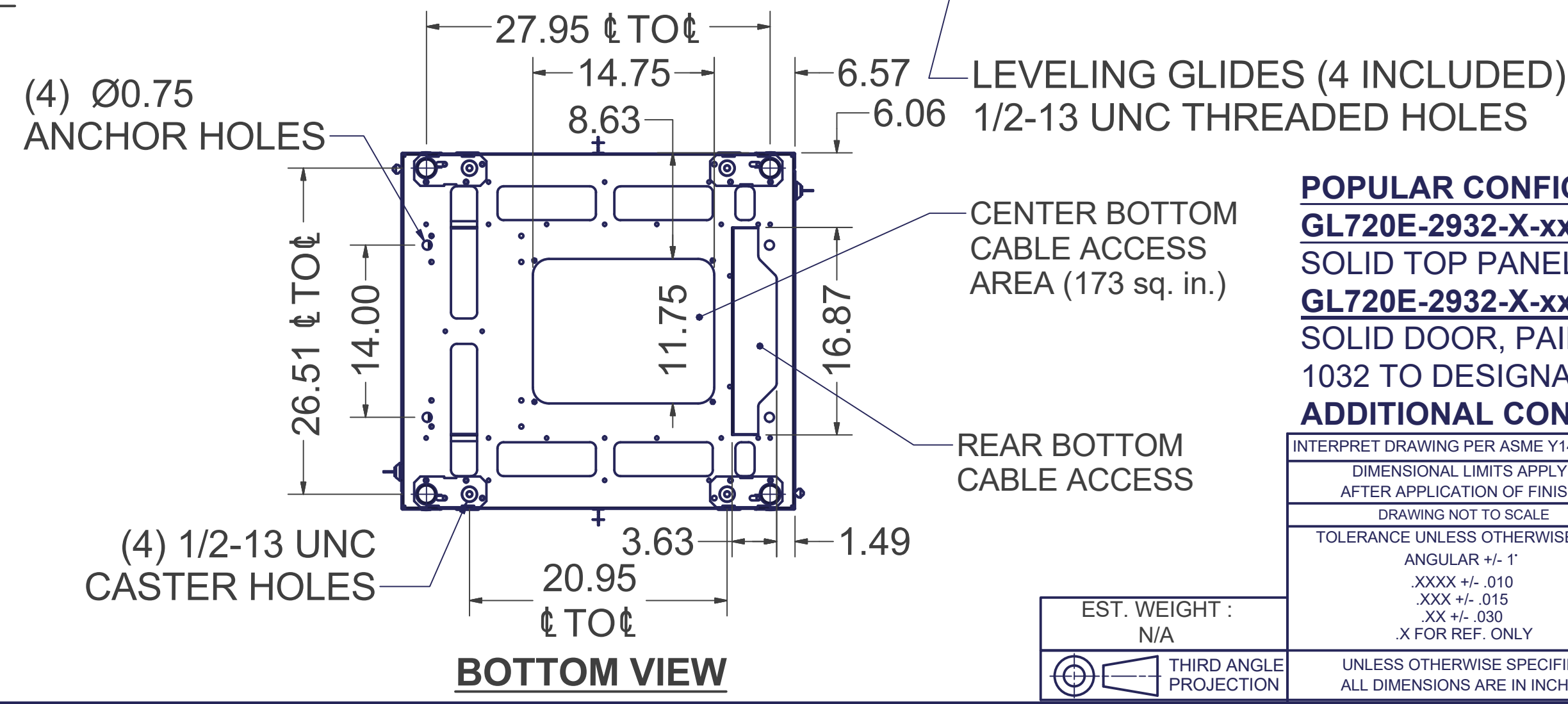


**SPECIFICATIONS:**

- DIMENSIONS:** 72"H X 29"W X 32"D
- RACK SPACES:** 37 RMU w/ NUMBERED RMU INDICATORS, 19" EIA 310-E COMPLIANT
- WEIGHT CAPACITY:** 1500 LBS.
- COLOR:** DURABLE TEXTURE POWDER COATING
- CONSTRUCTION:** 2 PAIR MOUNTING RAILS, #12 GA. C.R.S. FULLY WELDED FRAME, #16 GA. C.R.S. DOOR, SIDE PANELS, TOP PANEL, #16 GA. C.R.S.
- HARDWARE:** PACKAGE OF QTY-50; M6 SCREWS AND CAGE NUTS, INCLUDED.



**POPULAR CONFIGURATIONS**  
**GL720E-2932-X-xxxxMS:** CABINET WITH FRONT AND REAR MESH DOORS, PAIR SOLID SIDES, SOLID TOP PANEL; REPLACE 'xxxx' WITH SQM6 OR 1032 TO DESIGNATE MOUNTING RAILS  
**GL720E-2932-X-xxxxMS:** CABINET WITH FRONT PLEXI DOOR AND REAR PERIMETER VENTED SOLID DOOR, PAIR SOLID SIDES, PERFORATED TOP PANEL; REPLACE 'xxxx' WITH SQM6 OR 1032 TO DESIGNATE MOUNTING RAILS  
**ADDITIONAL CONFIGURATIONS AVAILABLE; SEE CHART TO THE LEFT**

COLOR  
 FRONT DOOR  
 REAR DOOR  
 SIDE PANEL  
 RAILS  
 TOP PANEL

OPTIONS WITH \* MAY NOT BE CONFIGURABLE ON WEBSITE. CONTACT FOR MORE INFORMATION

720E-2932-X-X-X-X-X-X

E PART NUMBER LEGEND

COLOR	FRONT DOOR	REAR DOOR	SIDE PANEL	RAILS	TOP PANEL
B Black	0 None*	0 None*	0 None*	0 None*	0 None*
W White	6 Plexi (shown)	8 Perimeter Vented Steel	1 Single Solid	1 19" EIA 10-32 Rails	2 Fan Top
	A Mesh	9 Solid	3 Pair Solid (shown)	5 19" M6 Cage Nuts (shown)	3 Solid Top
		A Mesh	4 Pair Vented		5 Perf Top (shown)

INTERPRET DRAWING PER ASME Y14.5M-1994  
 DIMENSIONAL LIMITS APPLY AFTER APPLICATION OF FINISH  
 DRAWING NOT TO SCALE  
 TOLERANCE UNLESS OTHERWISE NOTED:  
 ANGULAR +/- .1'  
 .XXXX +/- .010  
 .XXX +/- .015  
 .XX +/- .030  
 .X FOR REF. ONLY  
 UNLESS OTHERWISE SPECIFIED ALL DIMENSIONS ARE IN INCHES

**NOTICE:**  
 Use of this document is subject to a confidentiality and nondisclosure agreement with Great Lakes Data Racks & Cabinets and may not be reproduced, disclosed or utilized in whole or in part without prior written authorization from Great Lakes.

PART NUMBER: 720E-2932-X-xxxxMS/P  
 MATERIAL TYPE:  
 MATERIAL GAUGE:  
 FINISH:  
 DRAWN DATE: 3/12/2012  
 CDM DATE:  
 CHECKED & APP. DATE:

TITLE: BASE UNIT 72"H x 29"W x 32"D ENHANCED BASE UNIT ASSEMBLY  
 GREAT LAKES DATA RACKS & CABINETS  
 P.O. BOX 551 EDINBORO, PA 16412  
 PHONE (814) 734-7303 FAX (814) 734-3907  
 E-MAIL info@greatcabinets.com  
 DWG NO: 720E-2932-X-xxxxMS/P  
 REV  
 SHEET: 1 OF 1

