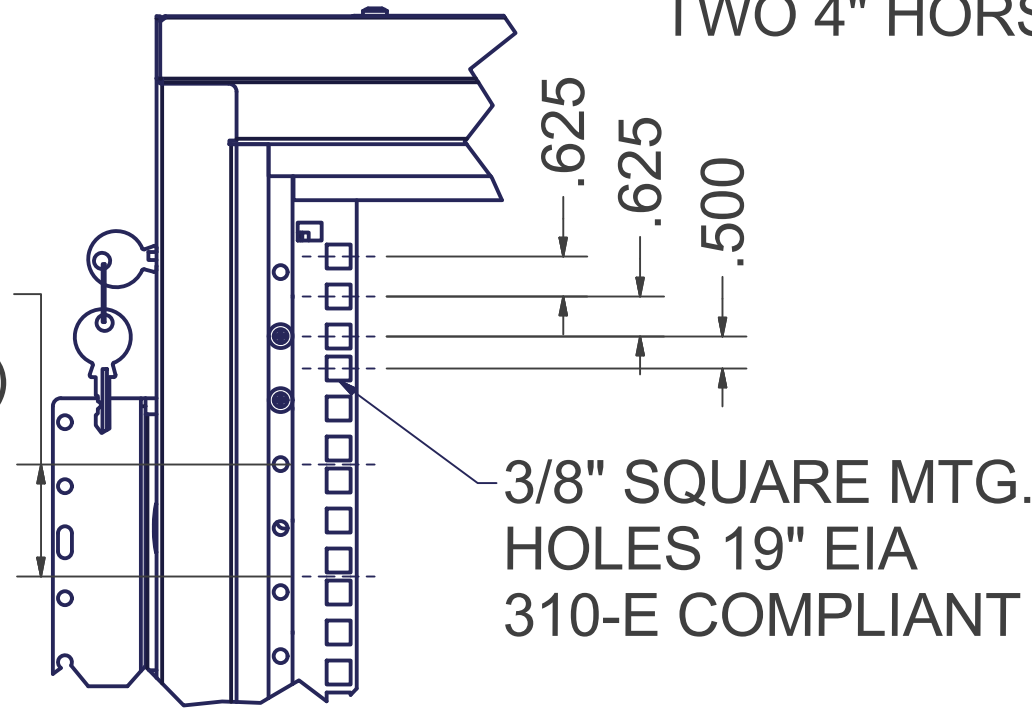
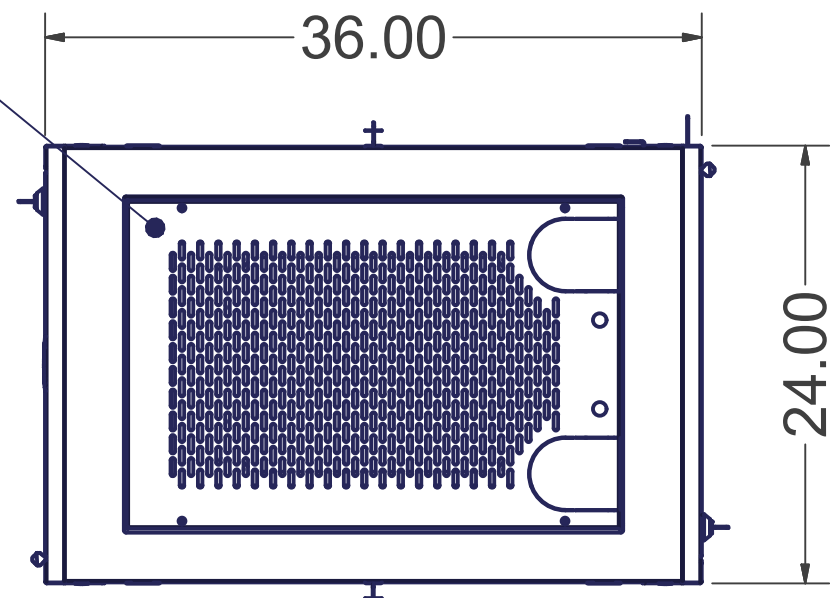


REMOVABLE VENTED TOP PANEL WITH TWO 4" HORSESHOE KNOCKOUTS

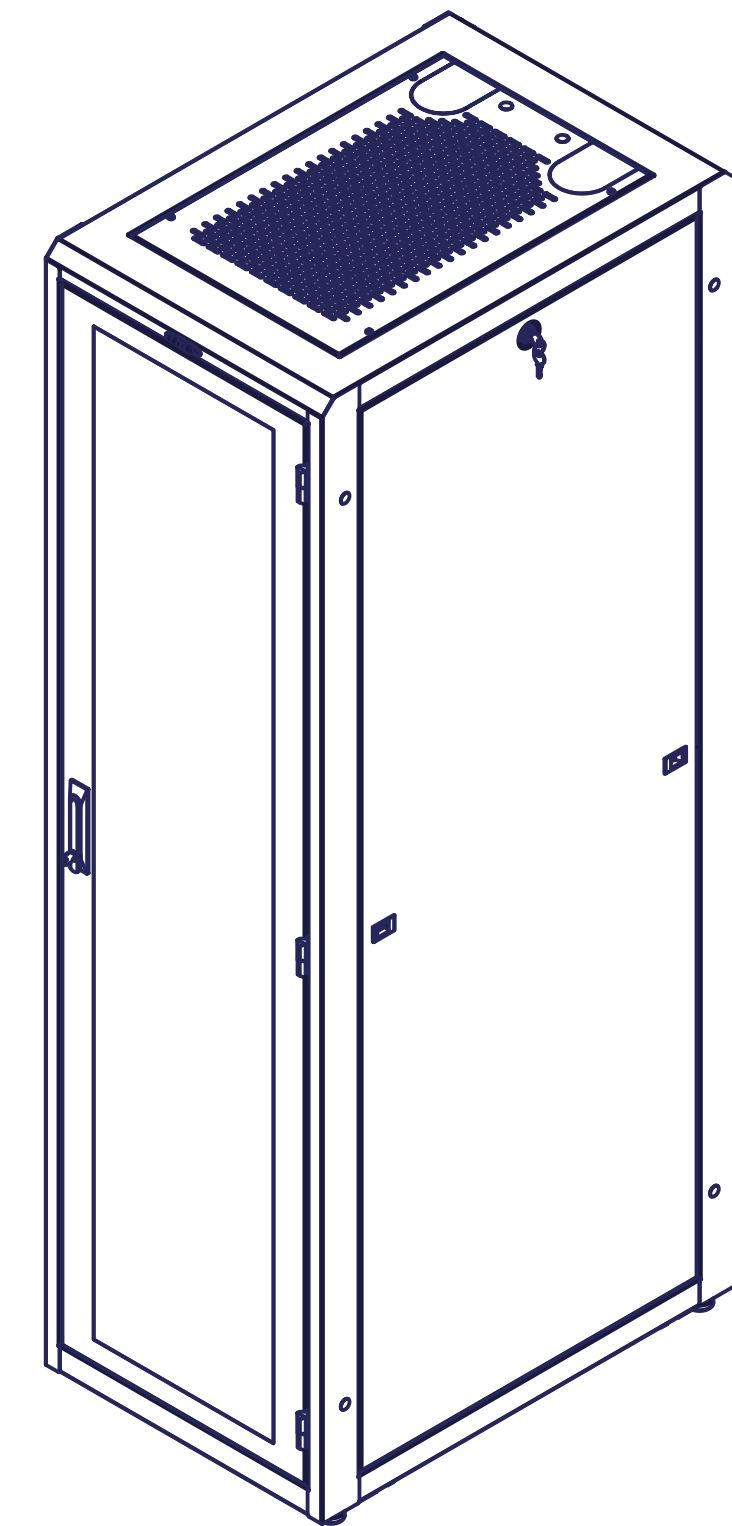
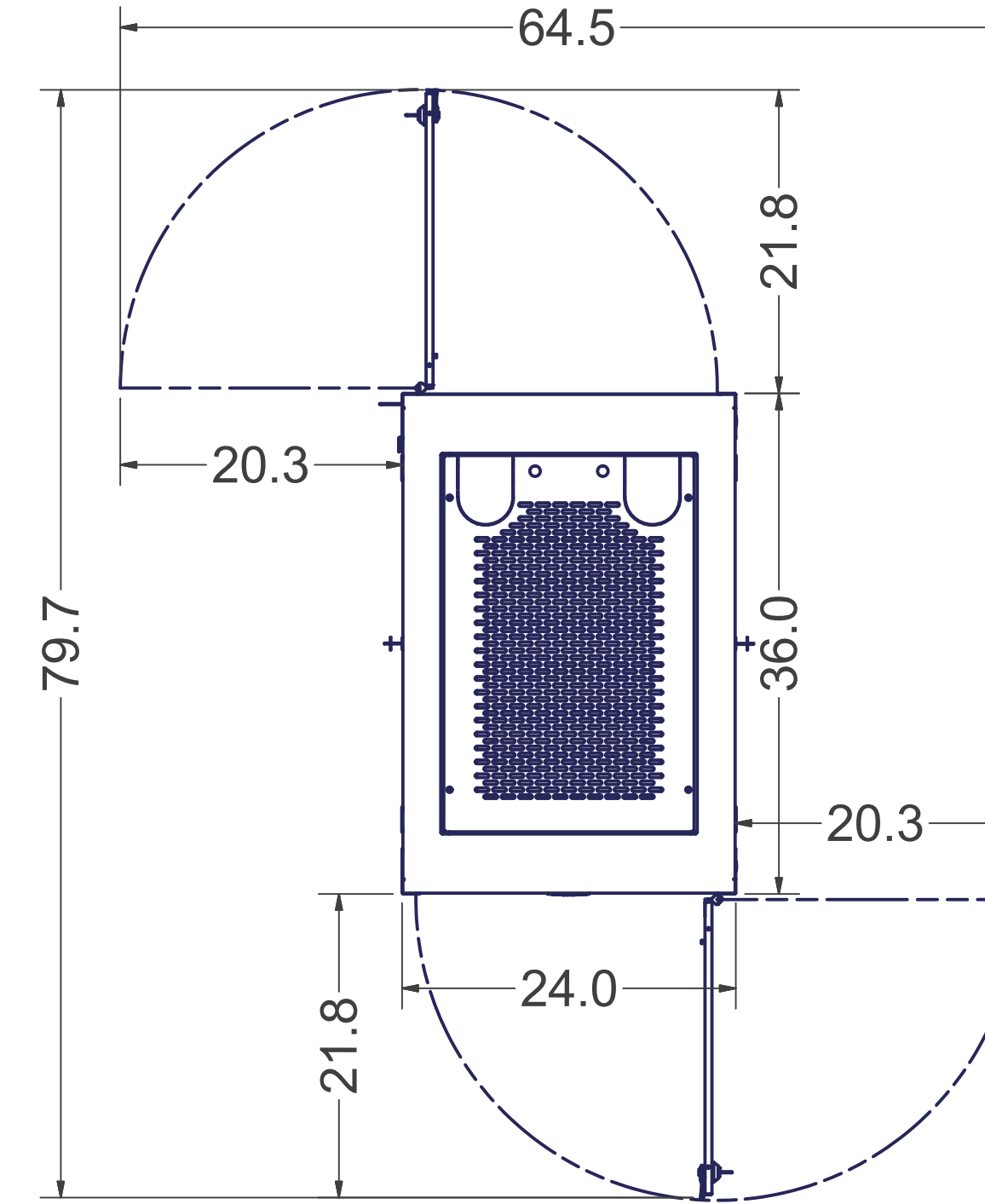
1.750 (1 RMU)
(REPEATS 44x)



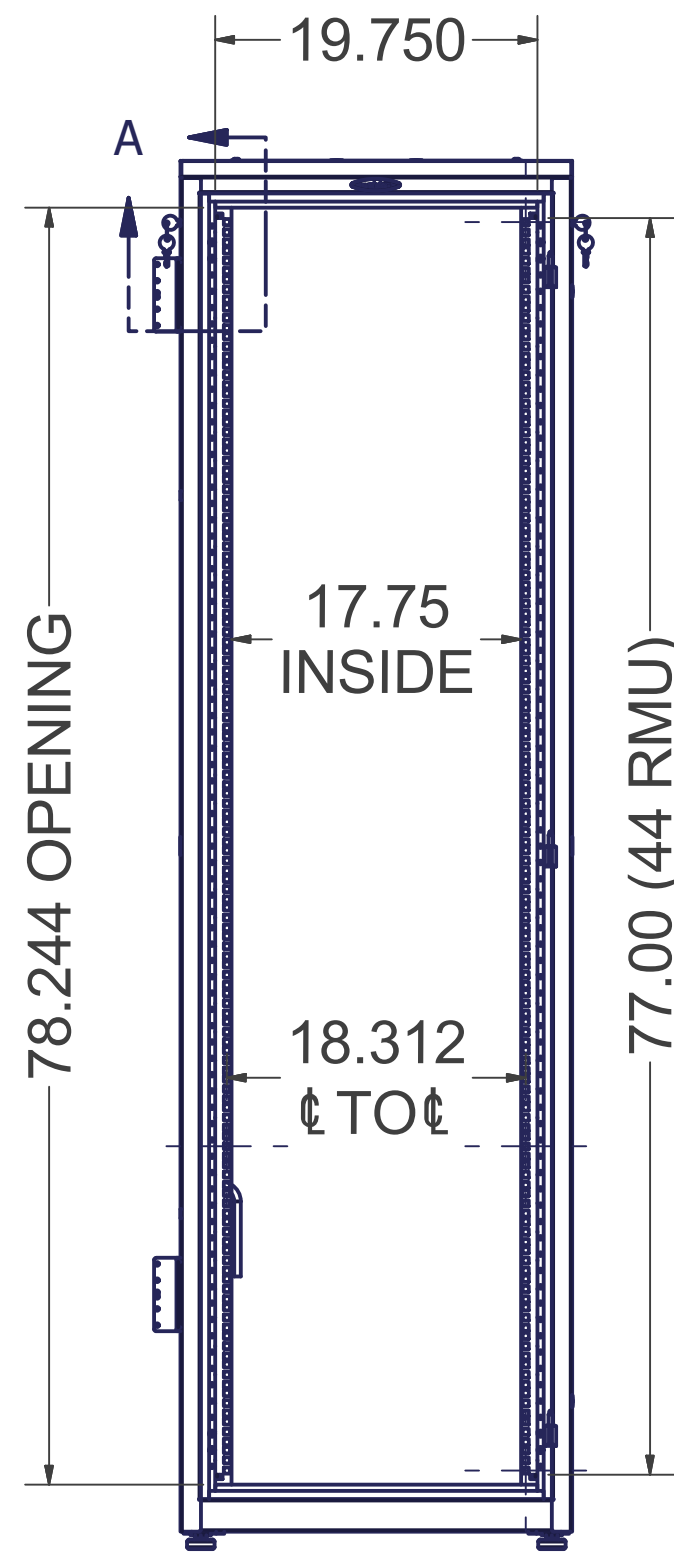
DETAIL A



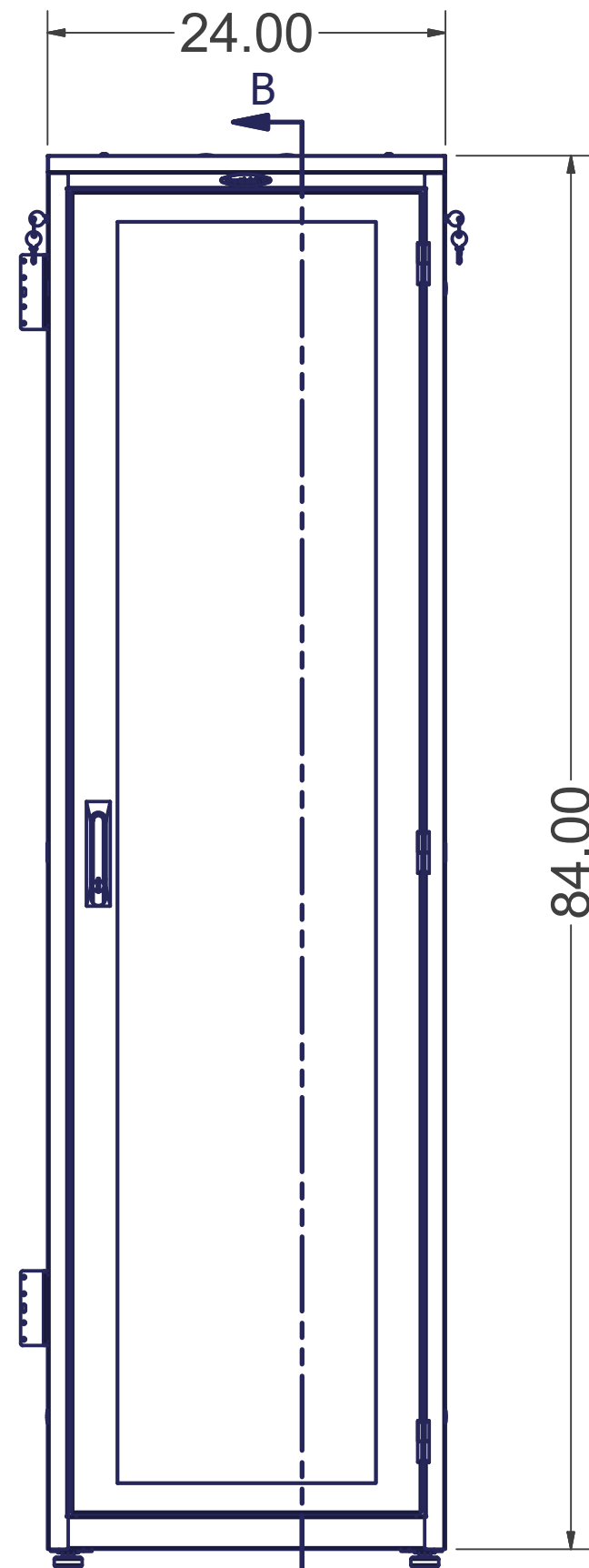
TOP VIEW



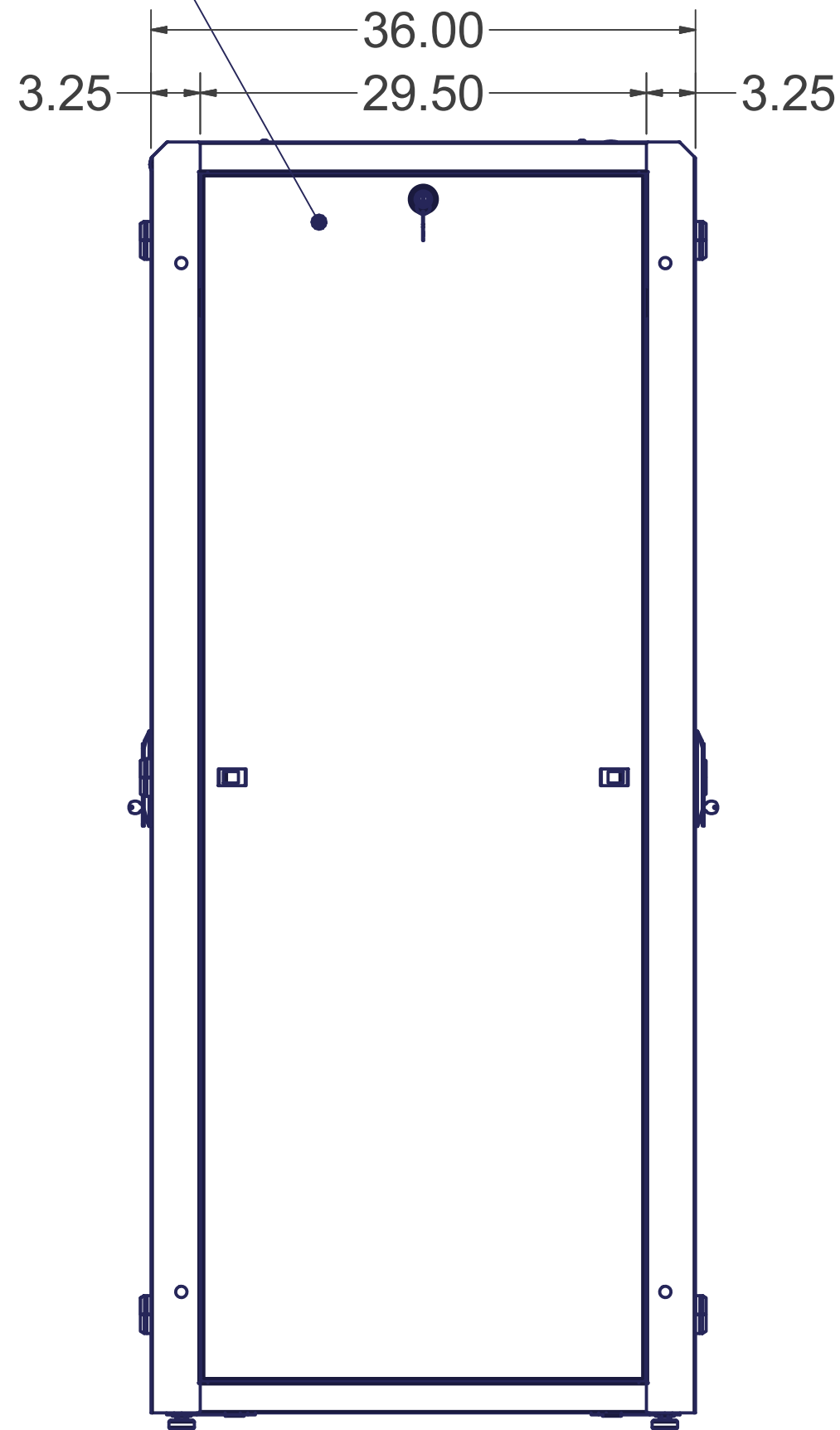
PAIR OF SOLID LIFT-OFF SIDE PANELS WITH LOCK



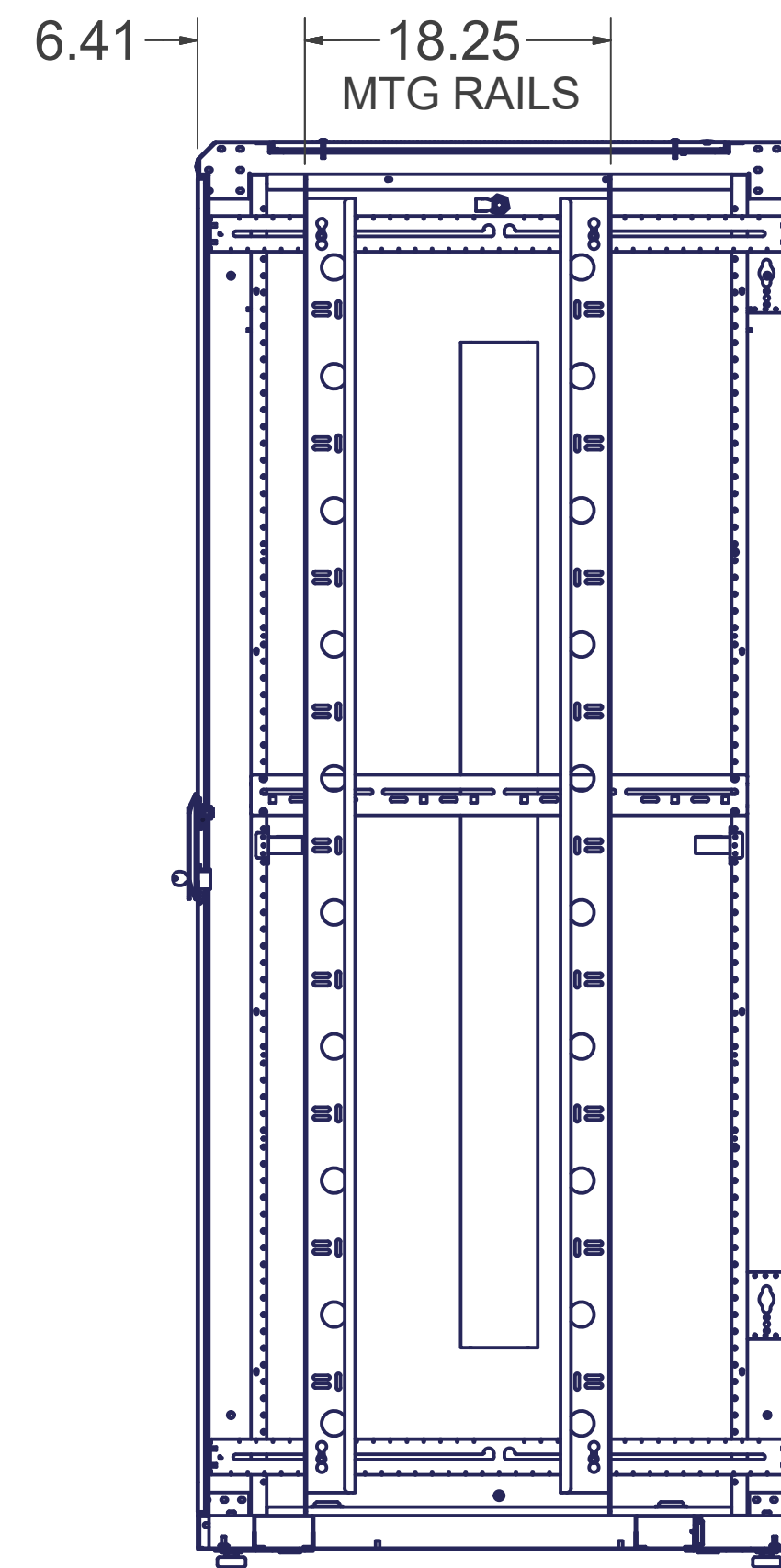
FRONT VIEW
DOORS REMOVED



FRONT VIEW



RIGHT SIDE VIEW



SECTION B-B

SPECIFICATIONS:

DIMENSIONS: 84"H X 24"W X 36"D

RACK SPACES: 44 RMU w/ NUMBERED RMU INDICATORS, 19" EIA 310-E COMPLIANT

WEIGHT CAPACITY: 1500 LBS.

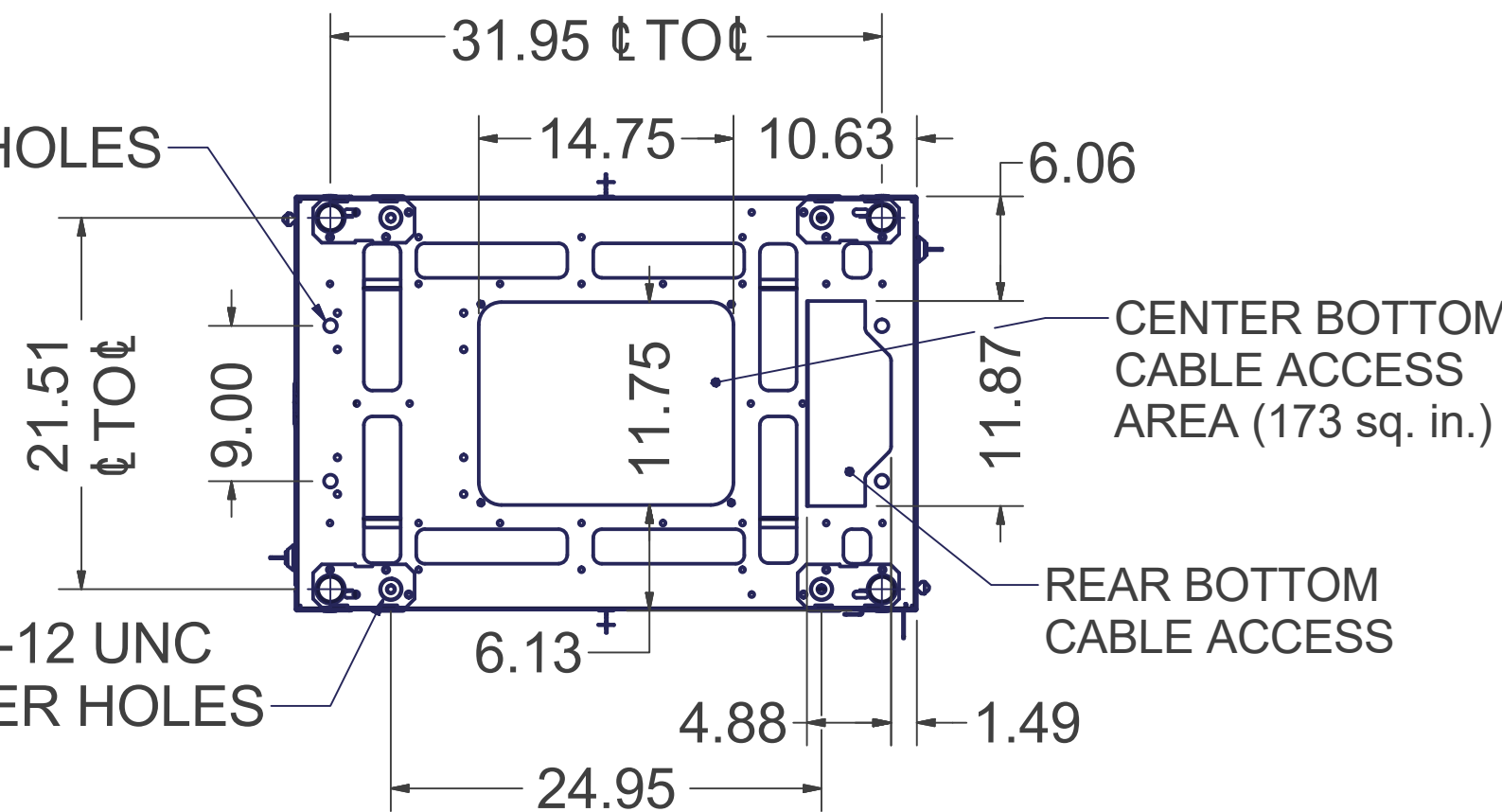
COLOR: DURABLE TEXTURE POWDER COATING

CONSTRUCTION: 2 PAIR MOUNTING RAILS, #12 GA. C.R.S.
FULLY WELDED FRAME, #16 GA. C.R.S.
DOOR, SIDE PANELS, TOP PANEL, #16 GA. C.R.S.

HARDWARE: PACKAGE OF QTY-50; M6 SCREWS AND CAGE NUTS, INCLUDED.

LEVELING GLIDES (4 INCLUDED)
1/2-13 UNC THREADED HOLES

(4) Ø0.75 ANCHOR HOLES



BOTTOM VIEW

POPULAR CONFIGURATIONS

GL840E-2436-X-xxxxMS: CABINET WITH FRONT AND REAR MESH DOORS, PAIR SOLID SIDES, SOLID TOP PANEL; REPLACE 'xxxx' WITH SQM6 OR 1032 TO DESIGNATE MOUNTING RAILS
GL840E-2436-X-xxxxMS: CABINET WITH FRONT PLEXI DOOR AND REAR PERIMETER VENTED SOLID DOOR, PAIR SOLID SIDES, PERFORATED TOP PANEL; REPLACE 'xxxx' WITH SQM6 OR 1032 TO DESIGNATE MOUNTING RAILS

ADDITIONAL CONFIGURATIONS AVAILABLE; SEE CHART TO THE LEFT

INTERPRET DRAWING PER ASME Y14.5M-1994	NOTICE: Use of this document is subject to a confidentiality and nondisclosure agreement with Great Lakes Data Racks & Cabinets and may not be reproduced, disclosed or utilized in whole or in part without prior written authorization from Great Lakes.
DIMENSIONAL LIMITS APPLY AFTER APPLICATION OF FINISH	
DRAWING NOT TO SCALE	MATERIAL TYPE: MATERIAL GAUGE: FINISH: DRAWN DATE CDM 3/13/2012 CHECKED & APP. DATE
TOLERANCE UNLESS OTHERWISE NOTED: ANGULAR +/- .1° .XXXX +/- .010 .XXX +/- .015 .XX +/- .030 .X FOR REF. ONLY	
EST. WEIGHT: N/A	
THIRD ANGLE PROJECTION	

PART NUMBER: 840E-2436-X-xxxxMS/P	TITLE: 84"H x 24"W x 36"D ENHANCED BASE UNIT - ASSEMBLY
GREAT LAKES DATA RACKS & CABINETS P.O. BOX 551 EDINBORO, PA 16412 PHONE (814) 734-7303 FAX (814) 734-3907 E-MAIL info@greatcabinets.com	
DWG NO: 840E-2436-X-xxxxMS/P	REV
SHEET: 1 OF 1	

840ES-2436-X-X-X-X-X-X

OPTIONS WITH * MAY NOT BE CONFIGURABLE ON WEBSITE. CONTACT FOR MORE INFORMATION

E PART NUMBER LEGEND

COLOR	FRONT DOOR	REAR DOOR	SIDE PANEL	RAILS	TOP PANEL
B Black	0 None*	0 None*	0 None*	0 None*	0 None*
W White	6 Plexi (shown)	8 Perimeter Vented Steel	1 Single Solid	1 19" EIA 10-32 Rails	2 Fan Top
	7 Perimeter Vented Plexi	9 Solid	3 Pair Solid (shown)	5 19" M6 Cage Nuts (shown)	3 Solid Top
	A Mesh	A Mesh	4 Pair Vented		5 Perf. Top (shown)
	B Split Mesh	B Split Mesh			