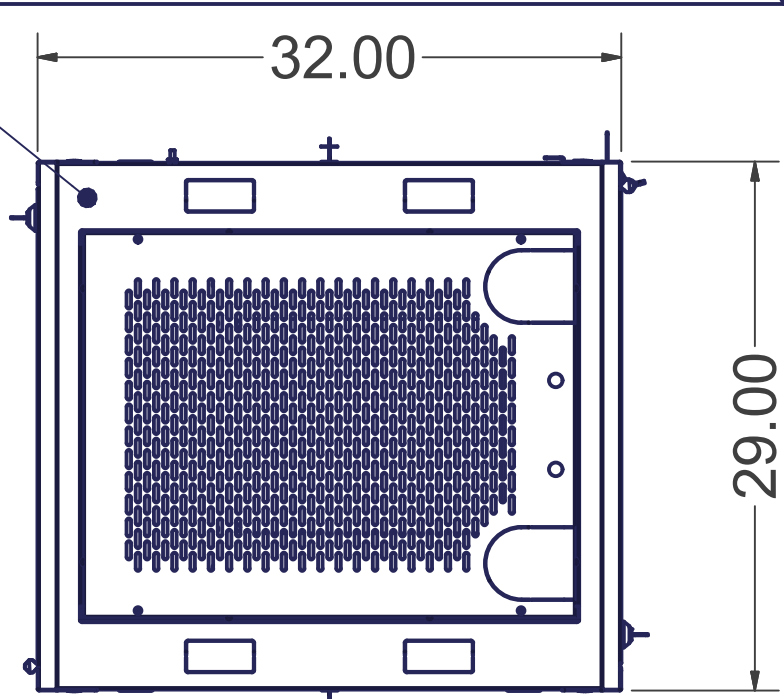
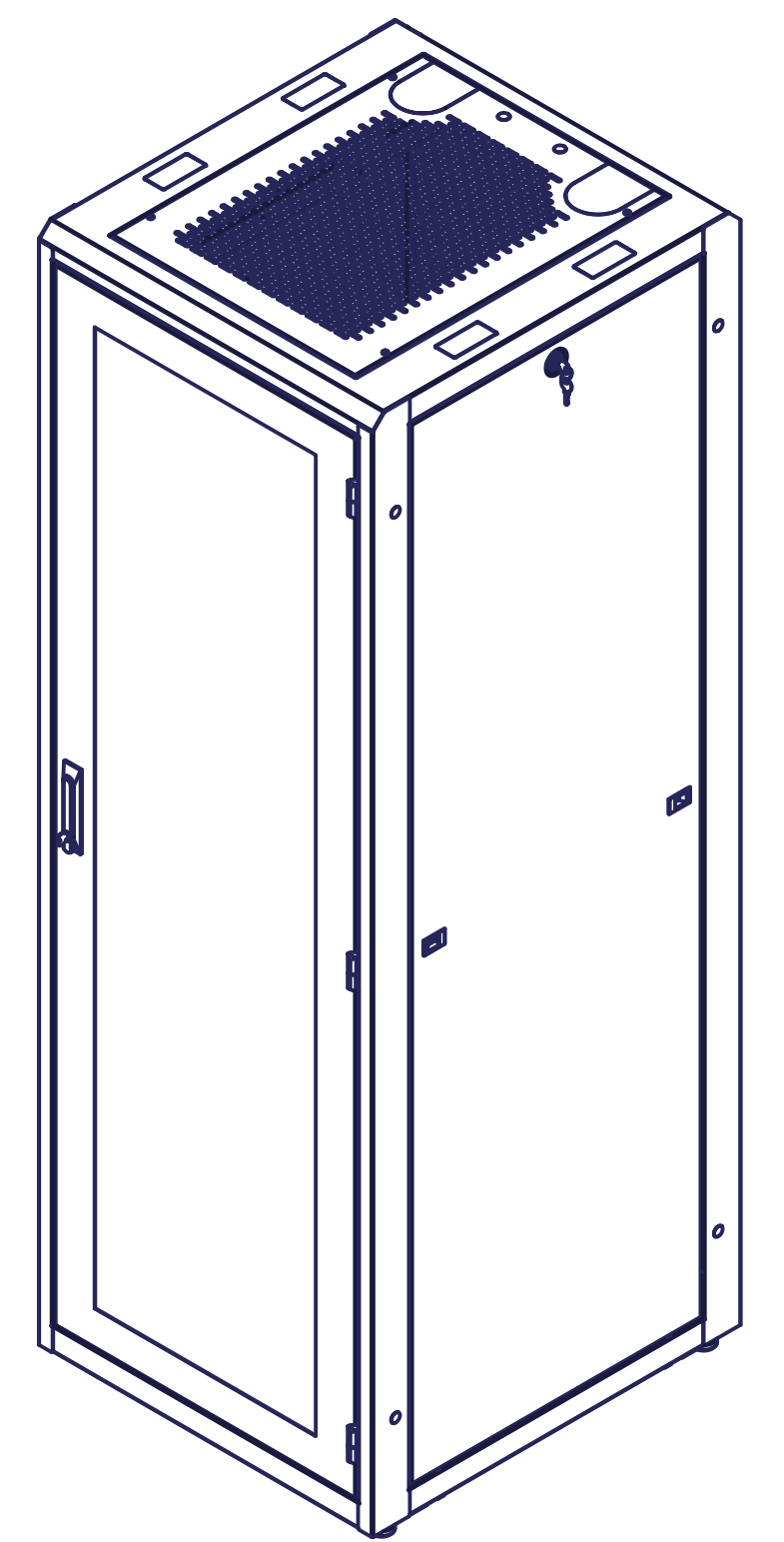
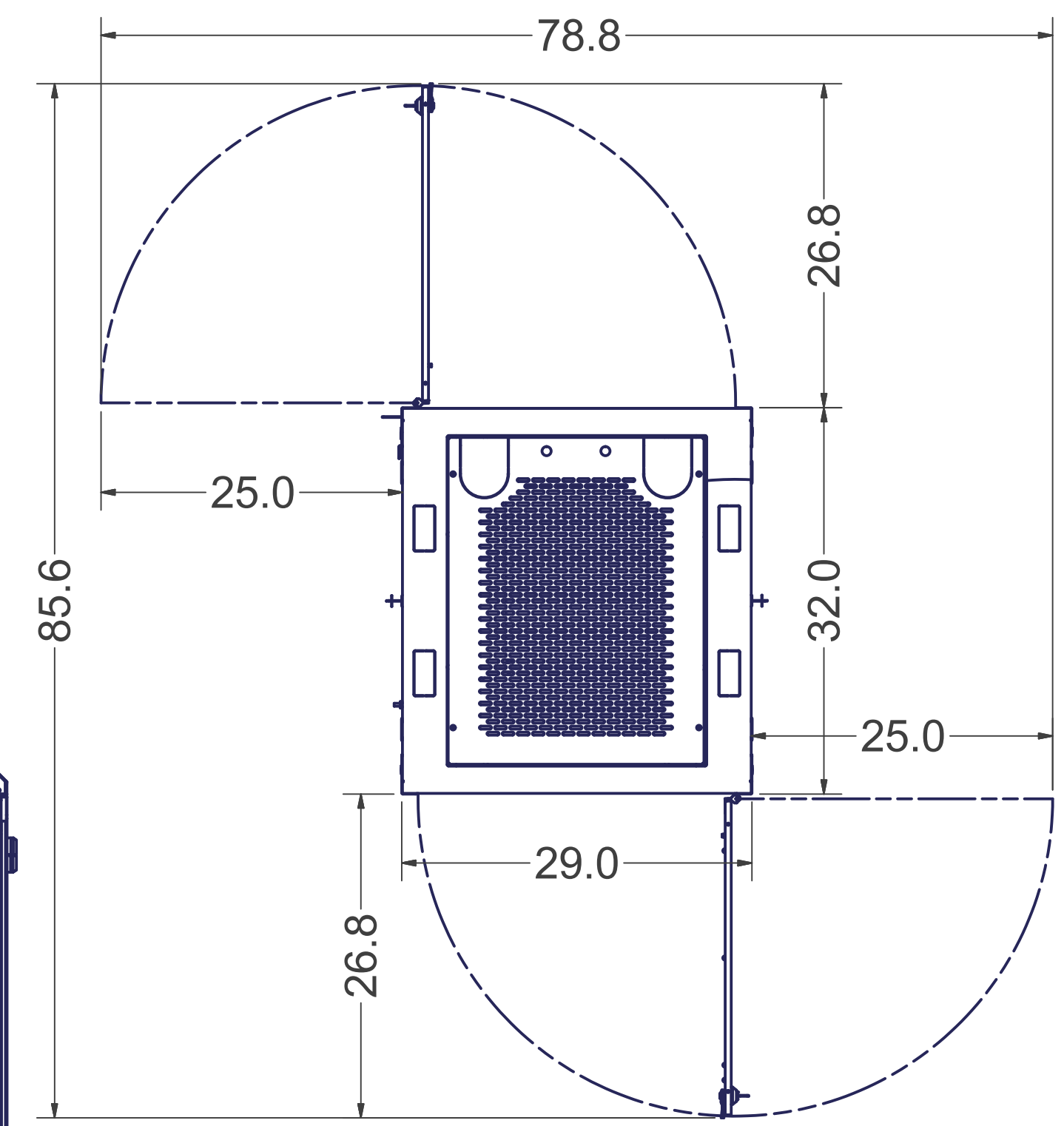


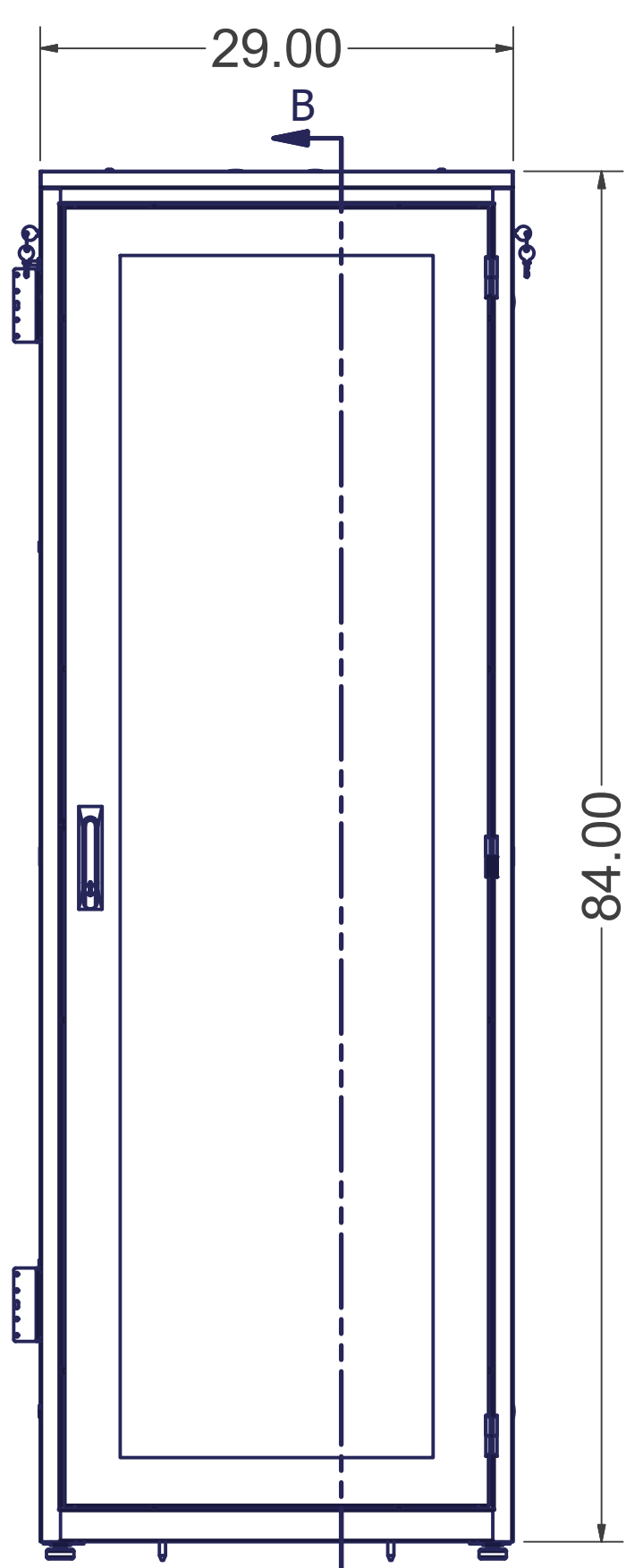
REMOVABLE VENTED TOP PANEL WITH TWO 4" HORSESHOE KNOCKOUTS



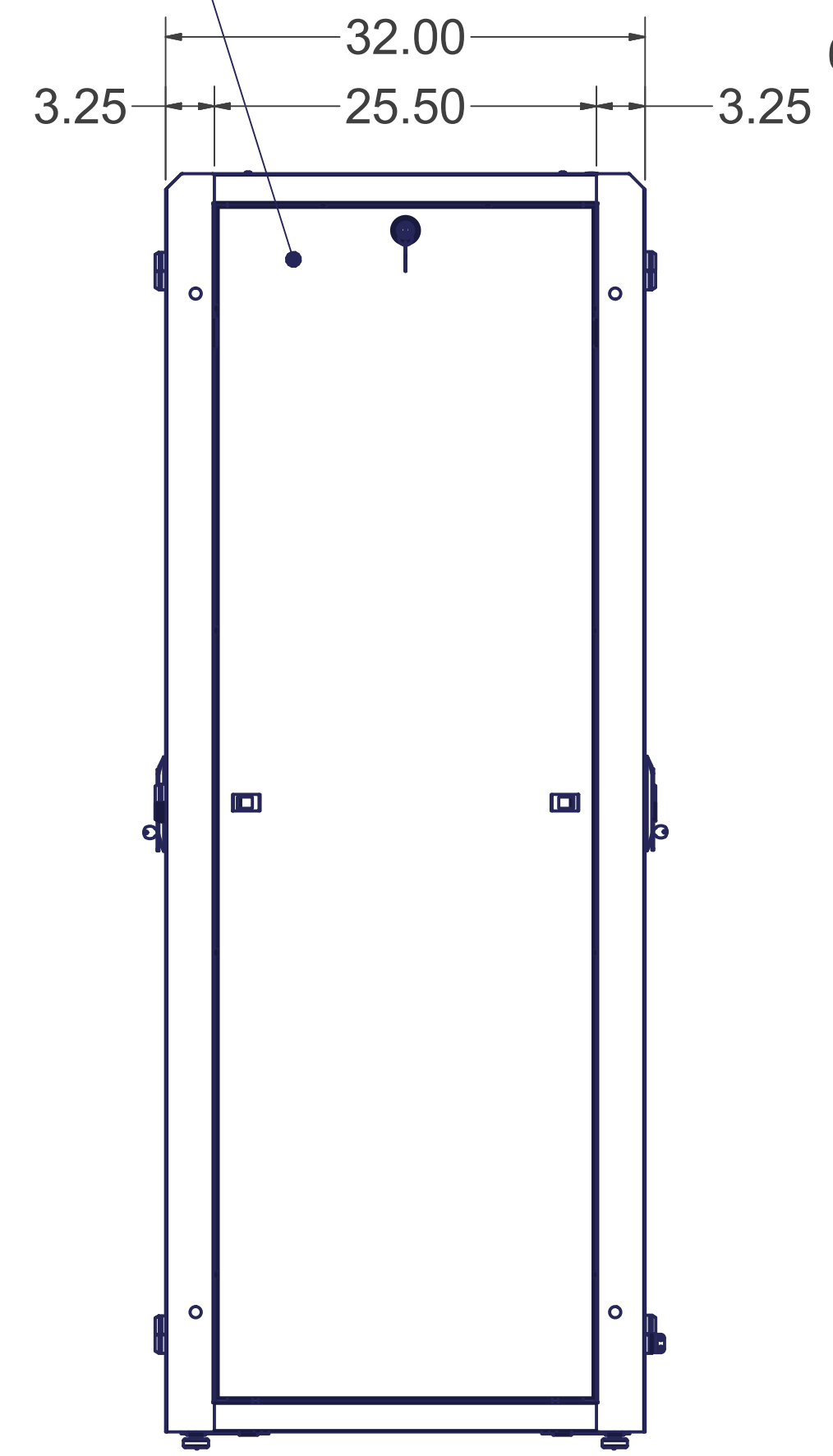
TOP VIEW



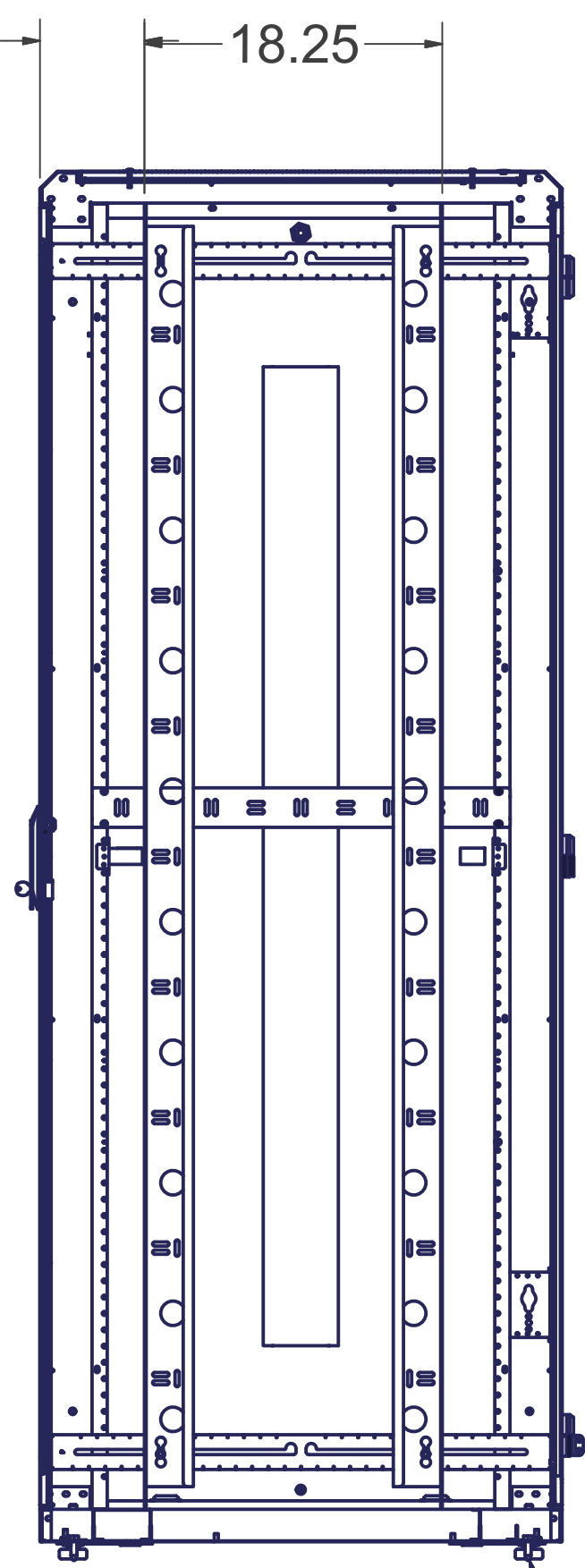
PAIR OF SOLID LIFT-OFF SIDE PANELS WITH LOCK



FRONT VIEW



RIGHT SIDE VIEW



SECTION B-B

**SPECIFICATIONS:**

**DIMENSIONS:** 84"H X 29"W X 32"D

**RACK SPACES:** 44 RMU w/ NUMBERED RMU INDICATORS, 19" EIA 310-E COMPLIANT

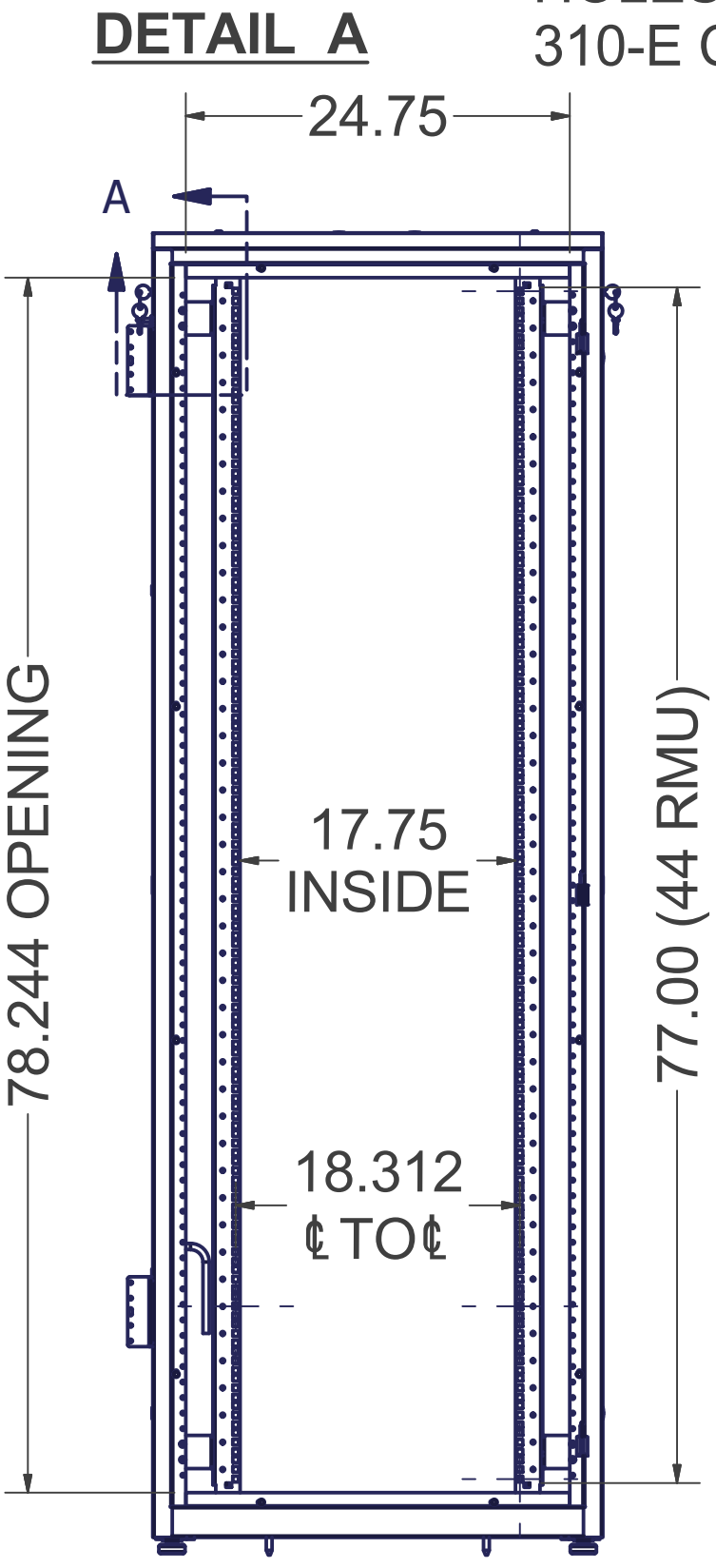
**WEIGHT CAPACITY:** 1500 LBS.

**COLOR:** DURABLE TEXTURE POWDER COATING

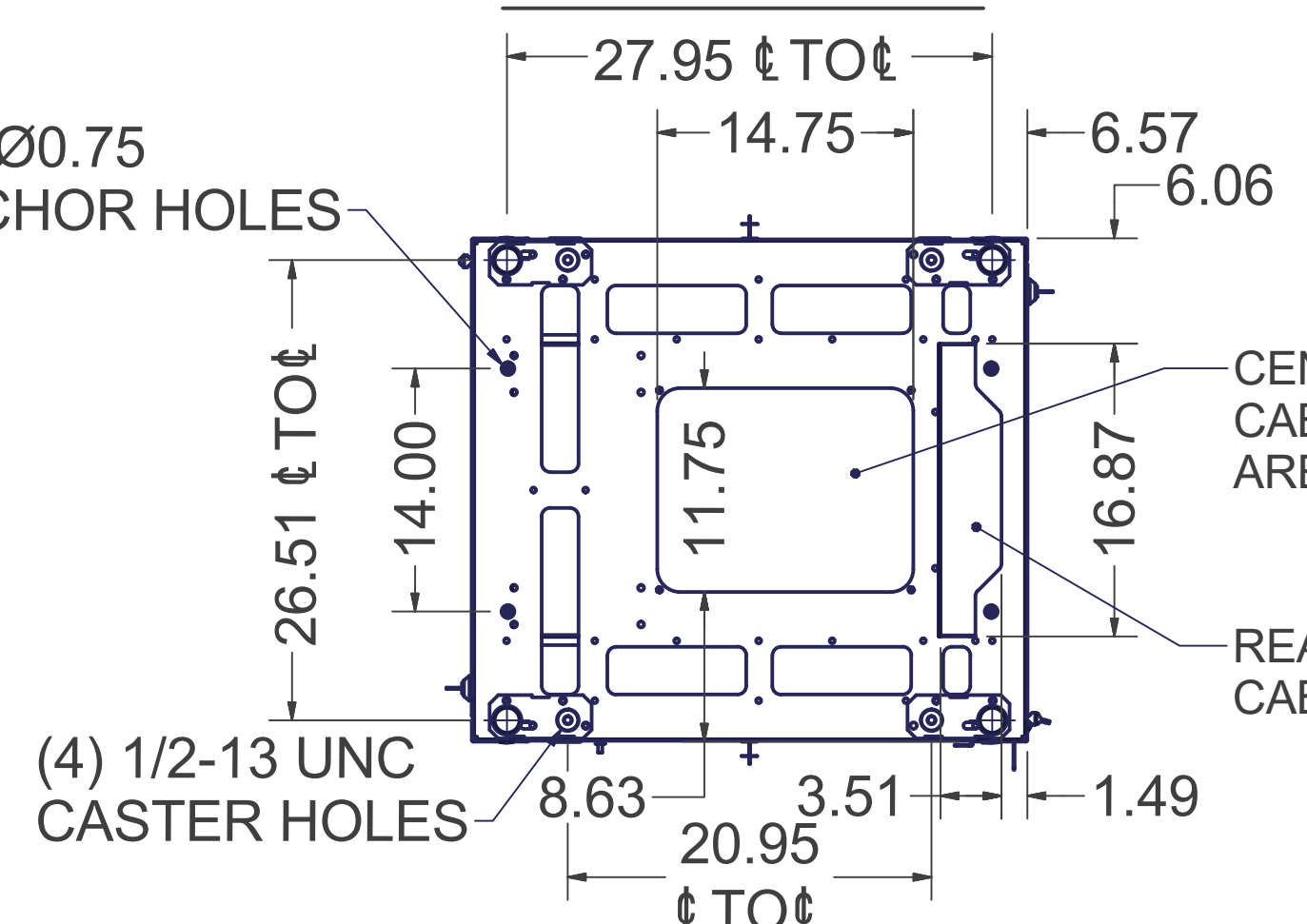
**CONSTRUCTION:** 2 PAIR MOUNTING RAILS, #12 GA. C.R.S. FULLY WELDED FRAME, #16 GA. C.R.S. DOOR, SIDE PANELS, TOP PANEL, #16 GA. C.R.S.

**HARDWARE:** PACKAGE OF QTY-50; M6 SCREWS AND CAGE NUTS, INCLUDED.

LEVELING GLIDES (4 INCLUDED)  
1/2-13 UNC THREADED HOLES



FRONT VIEW w/ DOORS REMOVED



BOTTOM VIEW

**POPULAR CONFIGURATIONS**

**GL840E-2932-X-xxxxMS:** CABINET WITH FRONT AND REAR MESH DOORS, PAIR SOLID SIDES, SOLID TOP PANEL; REPLACE 'xxxx' WITH SQM6 OR 1032 TO DESIGNATE MOUNTING RAILS

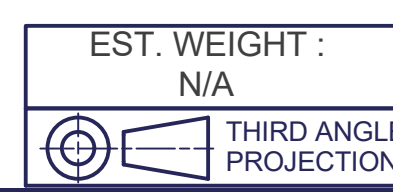
**GL840E-2932-X-xxxxMS:** CABINET WITH FRONT PLEXI DOOR AND REAR PERIMETER VENTED SOLID DOOR, PAIR SOLID SIDES, PERFORATED TOP PANEL; REPLACE 'xxxx' WITH SQM6 OR 1032 TO DESIGNATE MOUNTING RAILS

**ADDITIONAL CONFIGURATIONS AVAILABLE; SEE CHART TO THE LEFT**

840ES-2932-X-X-X-X-X-X-X-X

OPTIONS WITH \* MAY NOT BE CONFIGURABLE ON WEBSITE. CONTACT FOR MORE INFORMATION

E PART NUMBER LEGEND					
COLOR	FRONT DOOR	REAR DOOR	SIDE PANEL	RAILS	TOP PANEL
B Black	0 None*	0 None*	0 None*	0 None*	0 None*
W White	6 Plexi (shown)	8 Perimeter Vented Steel	1 Single Solid	1 19" EIA 10-32 Rails	2 Fan Top
	7 Perimeter Vented Plexi	9 Solid	3 Pair Solid (shown)	5 19" M6 Cage Nuts (shown)	3 Solid Top
	A Mesh	A Mesh	4 Pair Vented		5 Perf. Top (shown)
	B Split Mesh	B Split Mesh			



INTERPRET DRAWING PER ASME Y14.5M-1994

DIMENSIONAL LIMITS APPLY AFTER APPLICATION OF FINISH

DRAWING NOT TO SCALE

TOLERANCE UNLESS OTHERWISE NOTED:

ANGULAR +/- .1°

.XXXX +/- .010

.XXX +/- .015

.XX +/- .030

.X FOR REF. ONLY

UNLESS OTHERWISE SPECIFIED ALL DIMENSIONS ARE IN INCHES

**NOTICE:**

Use of this document is subject to a confidentiality and nondisclosure agreement with Great Lakes Data Racks & Cabinets and may not be reproduced, disclosed or utilized in whole or in part without prior written authorization from Great Lakes.

PART NUMBER: 840E-2932-X-XXXXX

MATERIAL TYPE:

MATERIAL GAUGE:

FINISH:

DRAWN: DATE: 3/13/2012

CDM: DATE:

CHECKED & APP.:

TITLE: 84"H x 29"W x 32"D ENHANCED BASE UNIT ASSEMBLY

GREAT LAKES DATA RACKS & CABINETS

P.O. BOX 551 EDINBORO, PA 16412

PHONE (814) 734-7303 FAX (814) 734-3907

E-MAIL info@greatcabinets.com

DWG NO: 840E-2932-X-XXXXX

REV:

SHEET: 1 OF 1