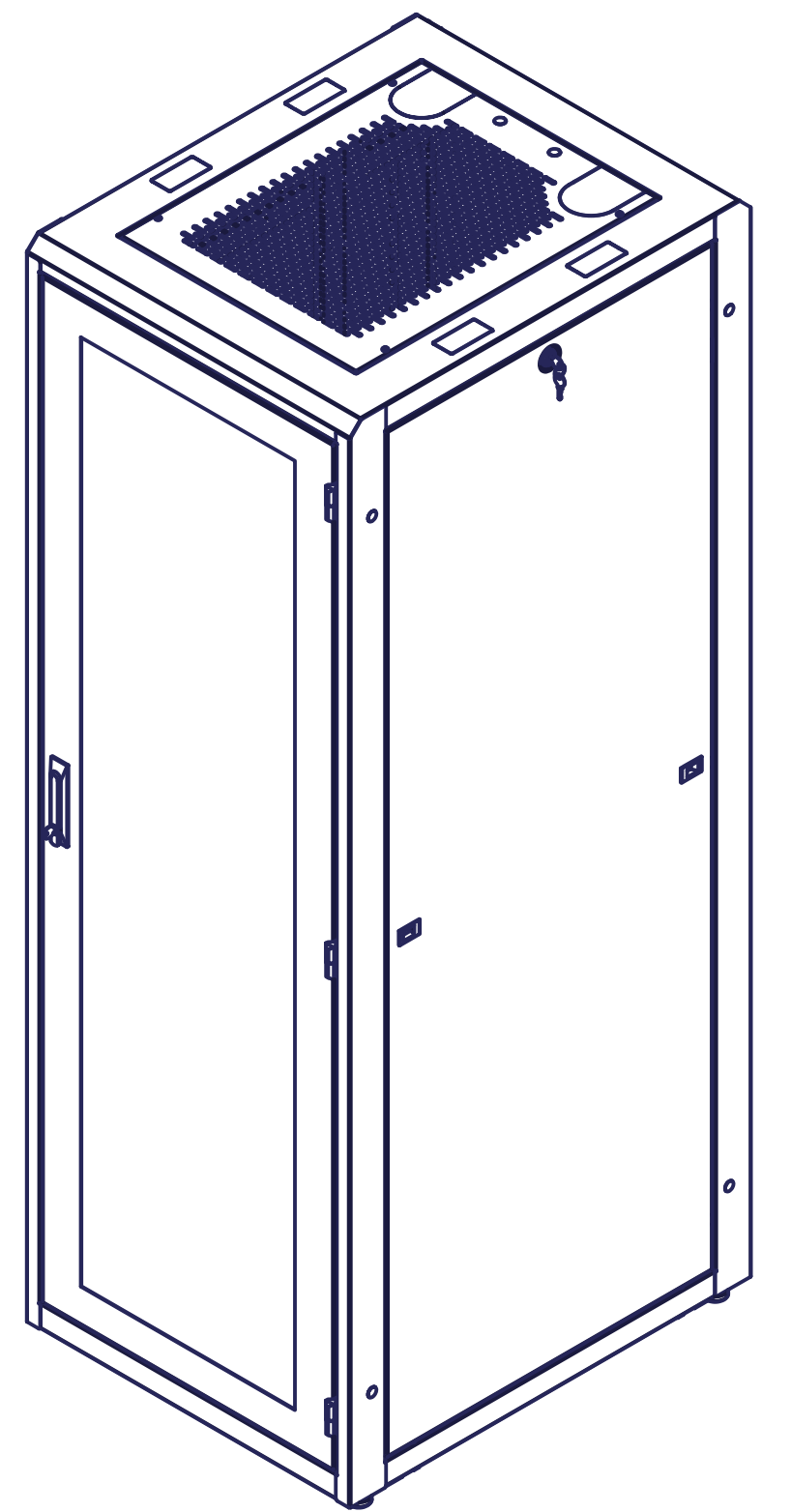
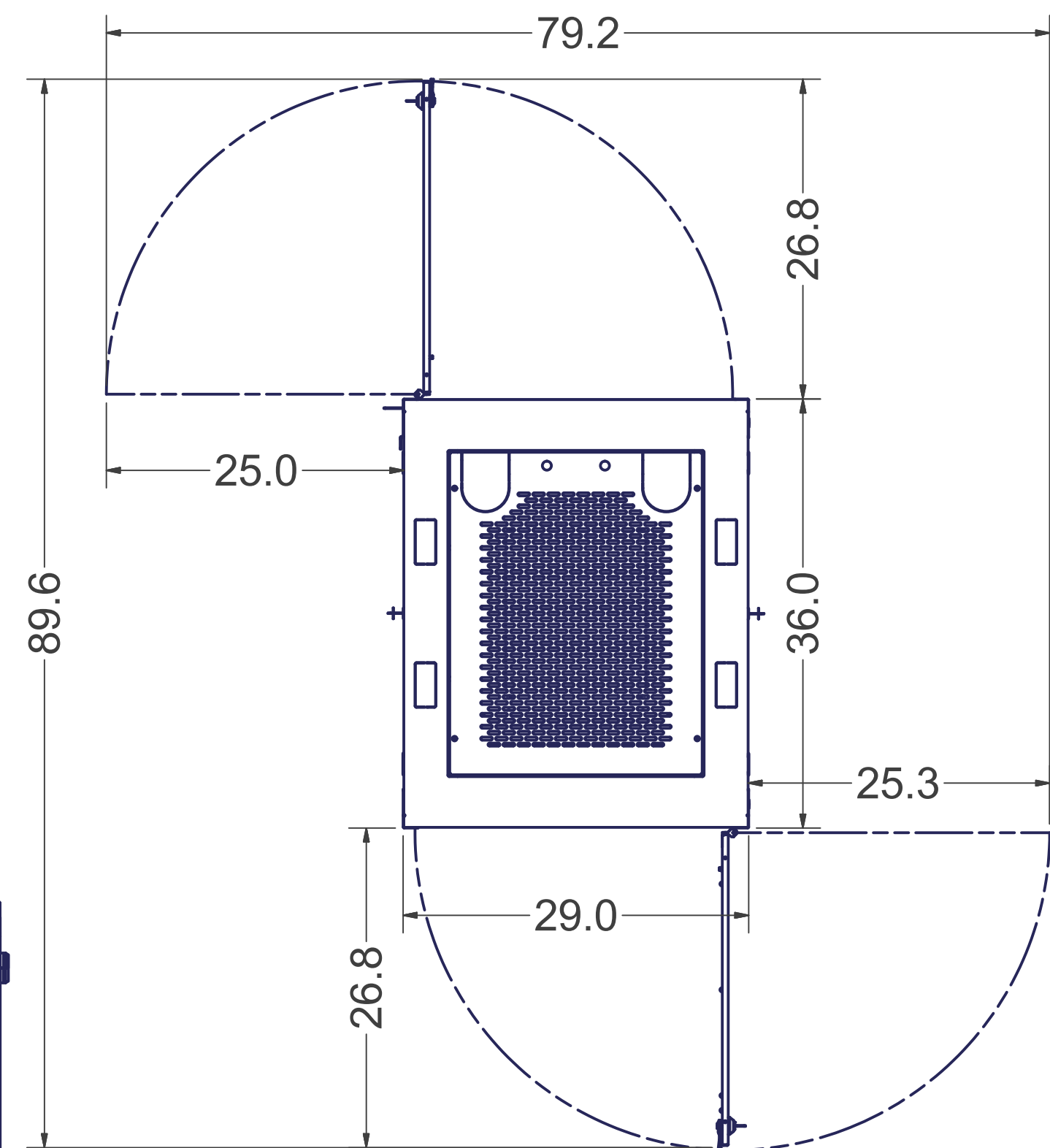
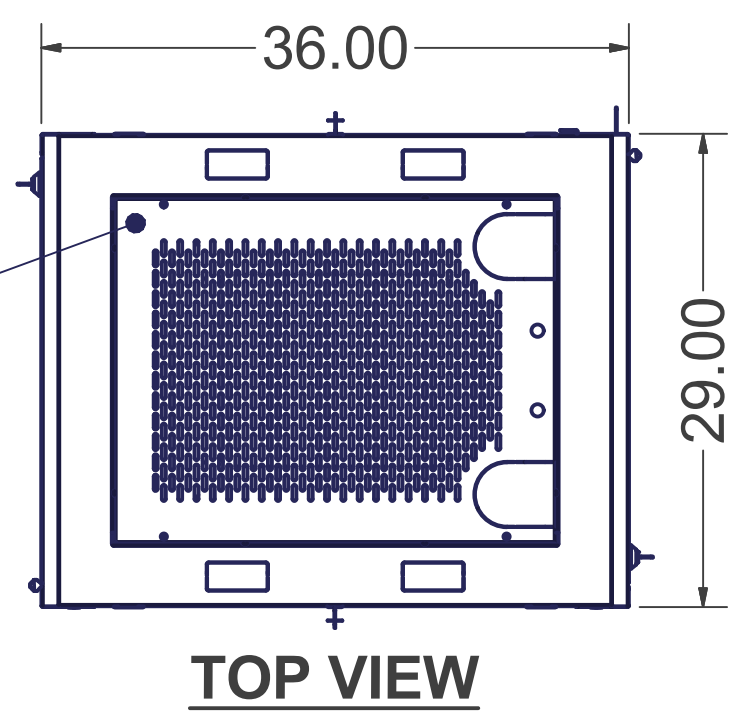
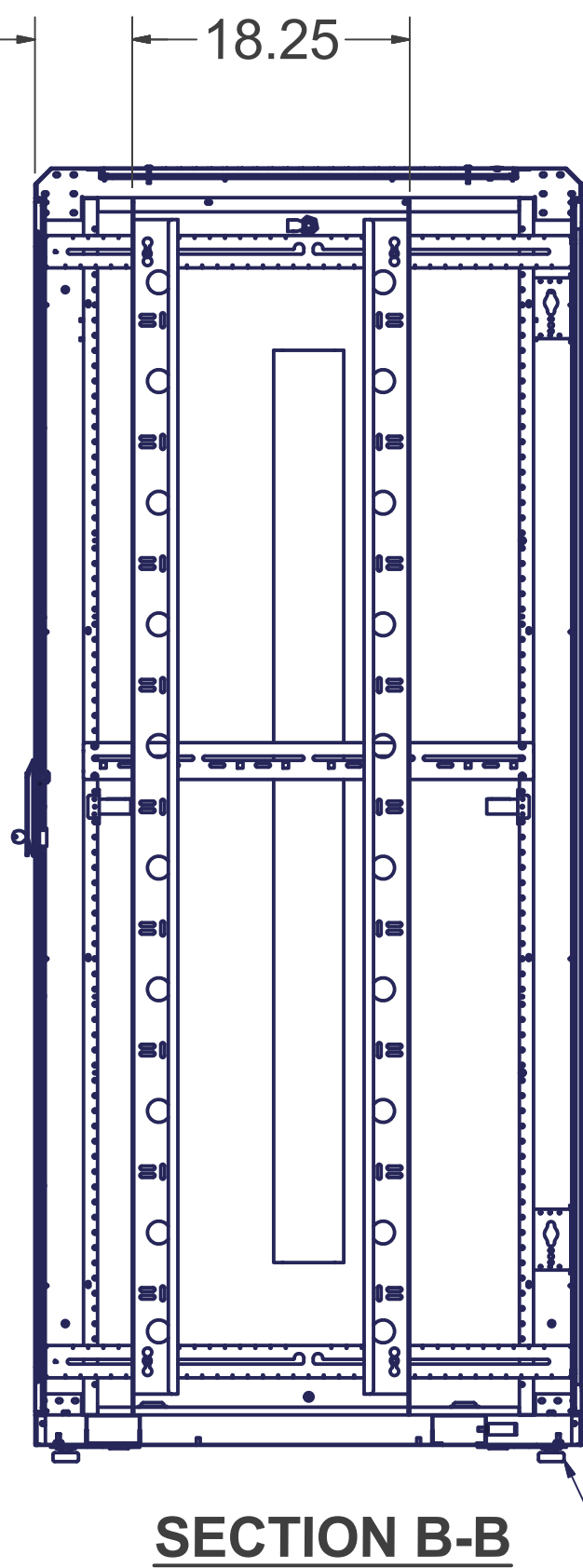
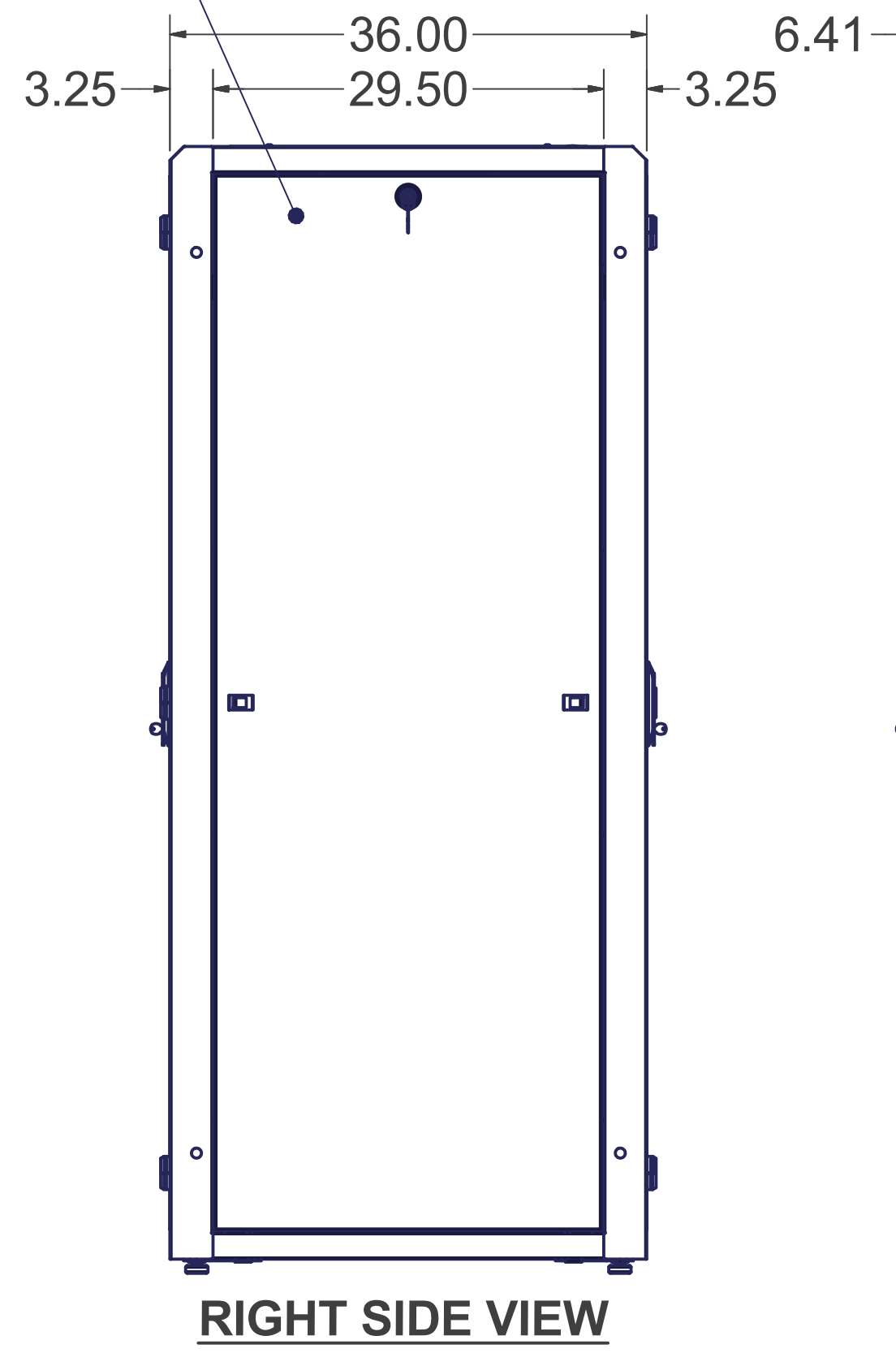
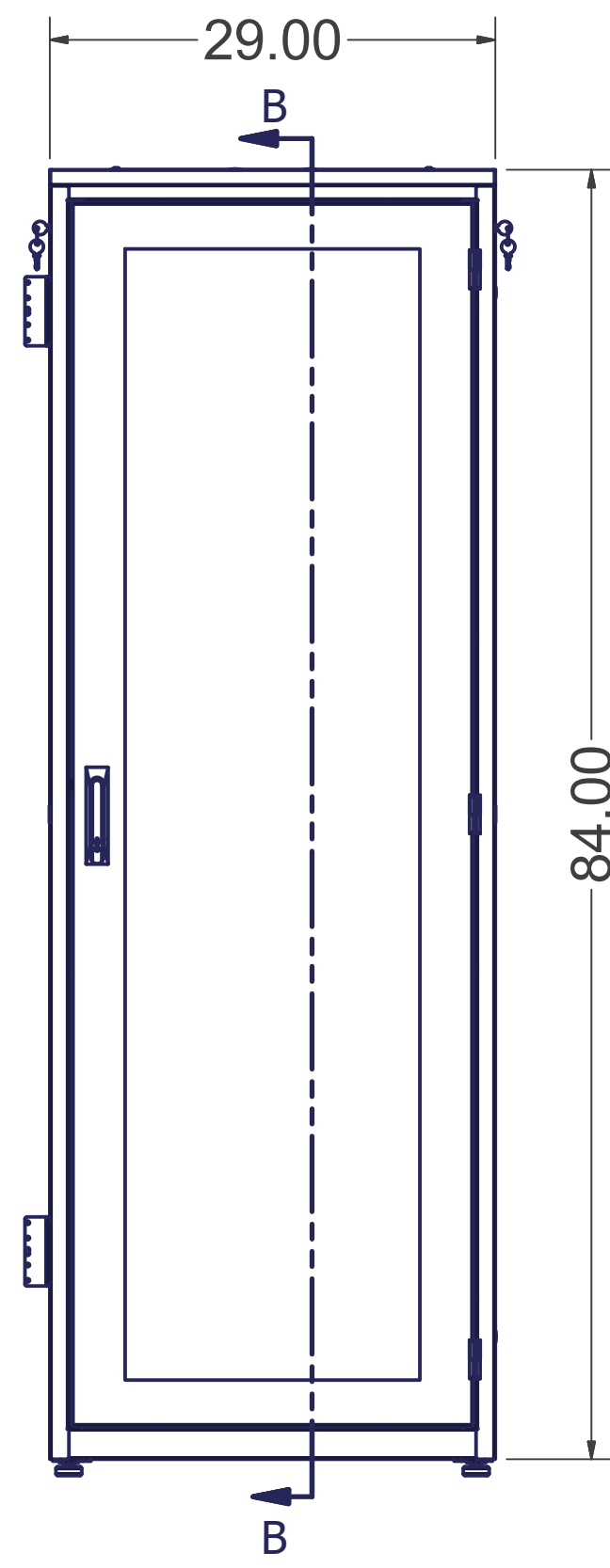
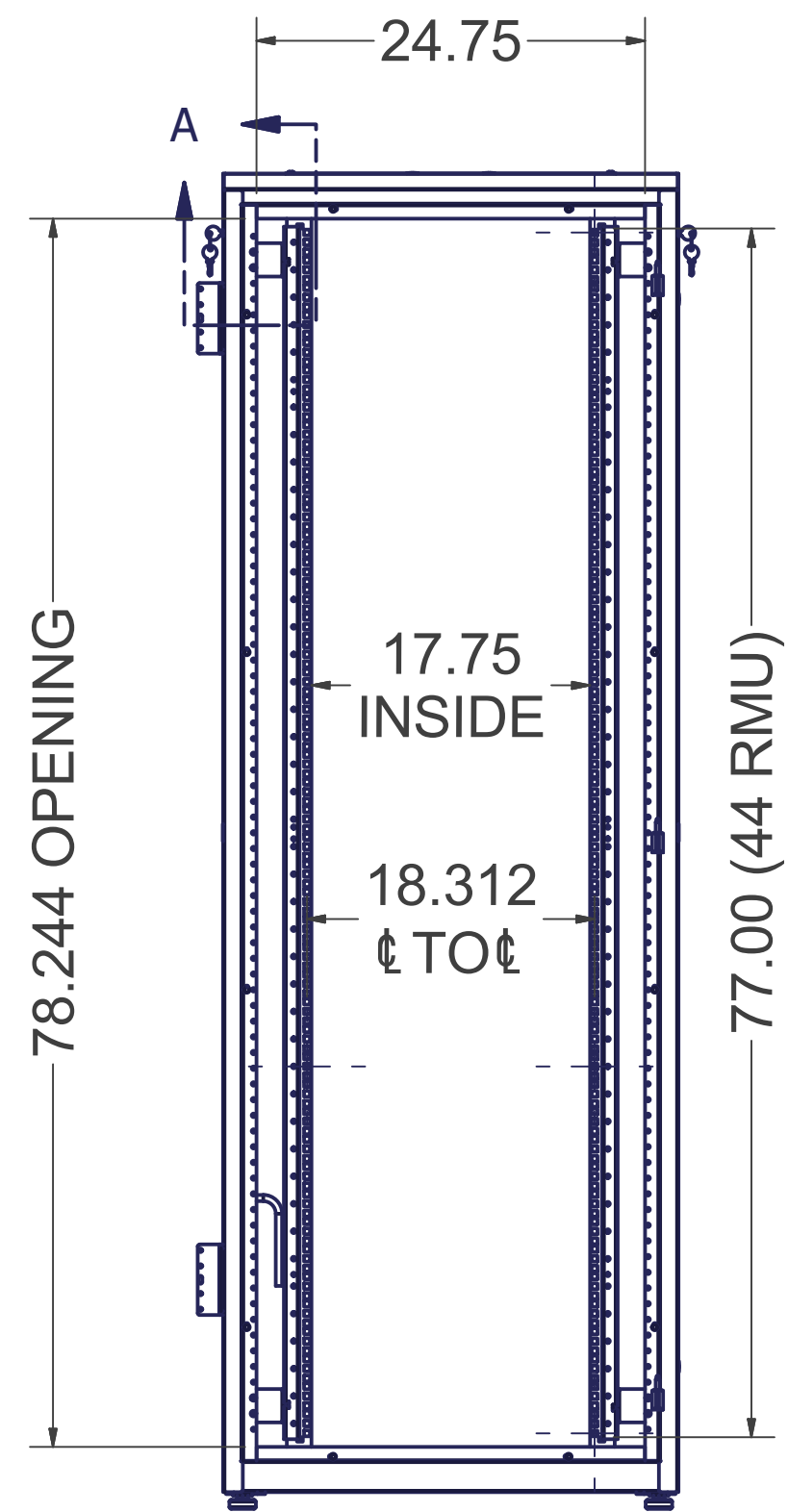


REMOVABLE VENTED TOP PANEL WITH TWO 4" HORSESHOE KNOCKOUTS



PAIR OF SOLID LIFT-OFF SIDE PANELS WITH LOCK



SPECIFICATIONS:

DIMENSIONS: 84"H X 29"W X 36"D

RACK SPACES: 44 RMU w/ NUMBERED RMU INDICATORS, 19" EIA 310-E COMPLIANT

WEIGHT CAPACITY: 1500 LBS.

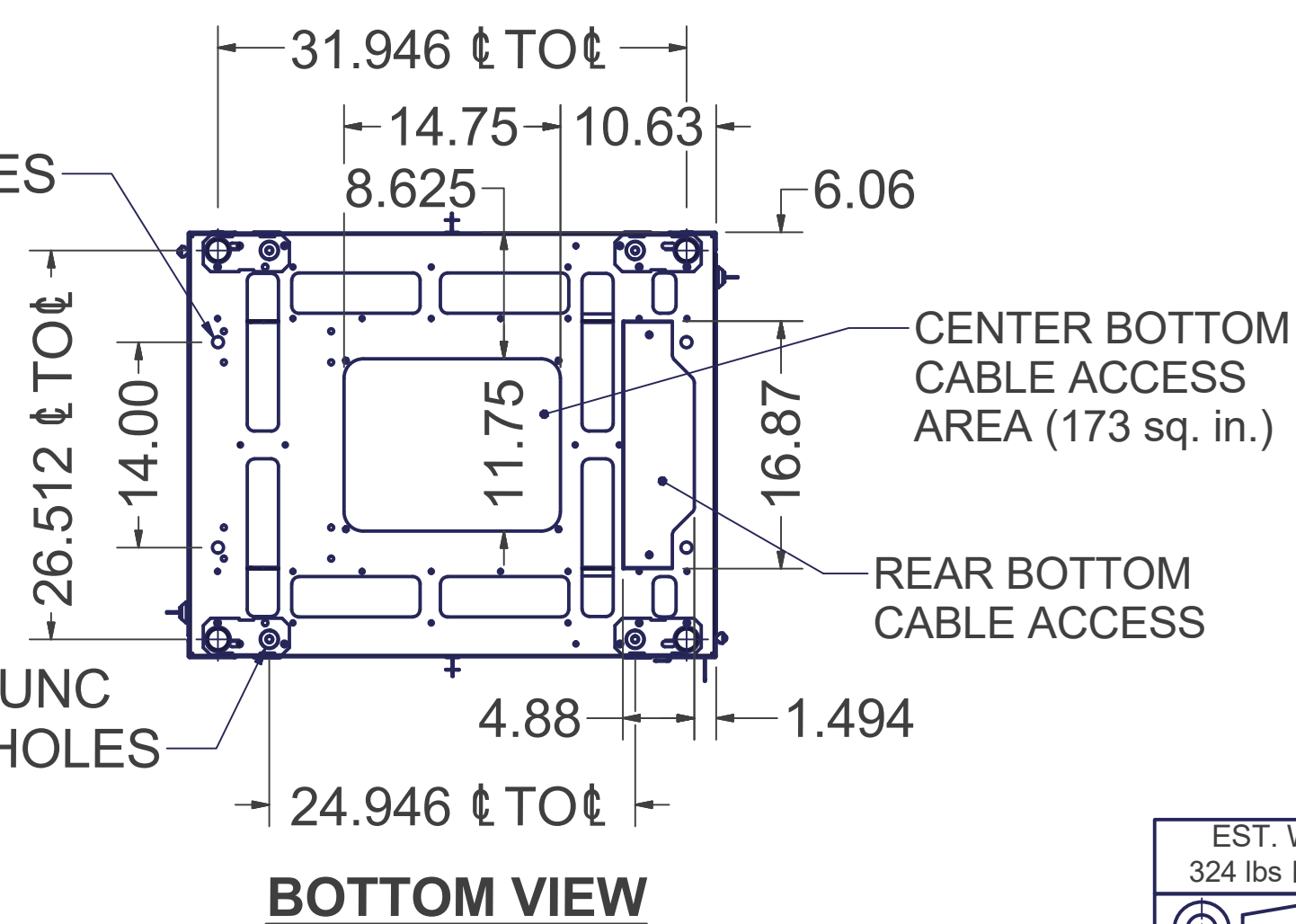
COLOR: DURABLE TEXTURE POWDER COATING

CONSTRUCTION: 2 PAIR MOUNTING RAILS, #12 GA. C.R.S. FULLY WELDED FRAME, #16 GA. C.R.S. DOOR, SIDE PANELS, TOP PANEL, #16 GA. C.R.S.

HARDWARE: PACKAGE OF QTY-50; M6 SCREWS AND CAGE NUTS, INCLUDED.

LEVELING GLIDES (4 INCLUDED)
 1/2-13 UNC THREADED HOLES

(4) Ø0.75 ANCHOR HOLES



CENTER BOTTOM CABLE ACCESS AREA (173 sq. in.)

REAR BOTTOM CABLE ACCESS

(4) 1/2-13 UNC CASTER HOLES

POPULAR CONFIGURATIONS

GL840E-2936-X-xxxxMS: CABINET WITH FRONT AND REAR MESH DOORS, PAIR SOLID SIDES, SOLID TOP PANEL; REPLACE 'xxxx' WITH SQM6 OR 1032 TO DESIGNATE MOUNTING RAILS

GL840E-2936-X-xxxxMS: CABINET WITH FRONT PLEXI DOOR AND REAR PERIMETER VENTED SOLID DOOR, PAIR SOLID SIDES, PERFORATED TOP PANEL; REPLACE 'xxxx' WITH SQM6 OR 1032 TO DESIGNATE MOUNTING RAILS

ADDITIONAL CONFIGURATIONS AVAILABLE; SEE CHART TO THE LEFT

OPTIONS WITH * MAY NOT BE CONFIGURABLE ON WEBSITE. CONTACT FOR MORE INFORMATION

E PART NUMBER LEGEND

COLOR	FRONT DOOR	REAR DOOR	SIDE PANEL	RAILS	TOP PANEL
B Black	0 None*	0 None*	0 None*	0 None*	0 None*
W White	6 Plexi (shown)	8 Perimeter Vented Steel	1 Single Solid	1 19" EIA 10-32 Rails	2 Fan Top
	7 Perimeter Vented Plexi	9 Solid	3 Pair Solid (shown)	5 19" M6 Cage Nuts (shown)	3 Solid Top
	A Mesh	A Mesh	4 Pair Vented		5 Perf. Top (shown)
	B Split Mesh	B Split Mesh			

NOTICE:

Use of this document is subject to a confidentiality and nondisclosure agreement with Great Lakes Data Racks & Cabinets and may not be reproduced, disclosed or utilized in whole or in part without prior written authorization from Great Lakes.

EST. WEIGHT :
 324 lbs N/A

THIRD ANGLE PROJECTION

INTERPRET DRAWING PER ASME Y14.5M-1994
 DIMENSIONAL LIMITS APPLY AFTER APPLICATION OF FINISH
 DRAWING NOT TO SCALE
 TOLERANCE UNLESS OTHERWISE NOTED:
 ANGULAR +/- .1°
 .XXXX +/- .010
 .XXX +/- .015
 .XX +/- .030
 .X FOR REF. ONLY
 UNLESS OTHERWISE SPECIFIED ALL DIMENSIONS ARE IN INCHES

PART NUMBER:
 840E-2936-X-xxxxMS/P
 MATERIAL TYPE:
 MATERIAL GAUGE:
 FINISH:
 DRAWN DATE
 CDM 3/13/2012
 CHECKED & APP. DATE

TITLE
 84"H x 29"W x 36"D ENHANCED BASE UNIT ASSEMBLY
 GREAT LAKES DATA RACKS & CABINETS
 P.O. BOX 551 EDINBORO, PA 16412
 PHONE (814) 734-7303 FAX (814) 734-3907
 E-MAIL info@greatcabinets.com
 DWG NO:
 840E-2936-X-xxxxMS/P
 REV
 SHEET: 1 OF 1