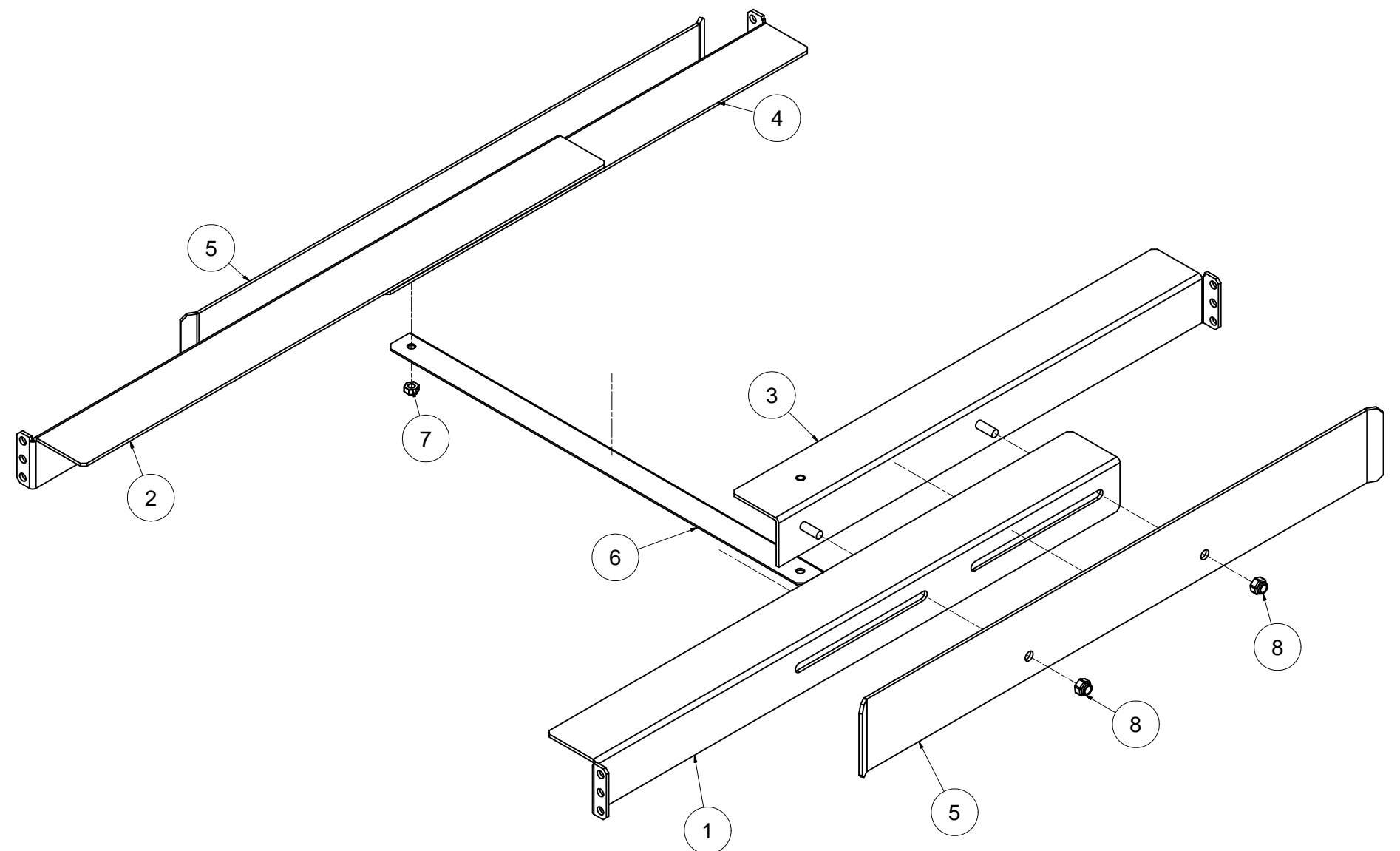
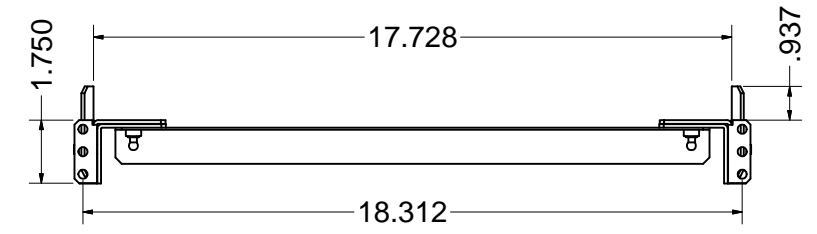
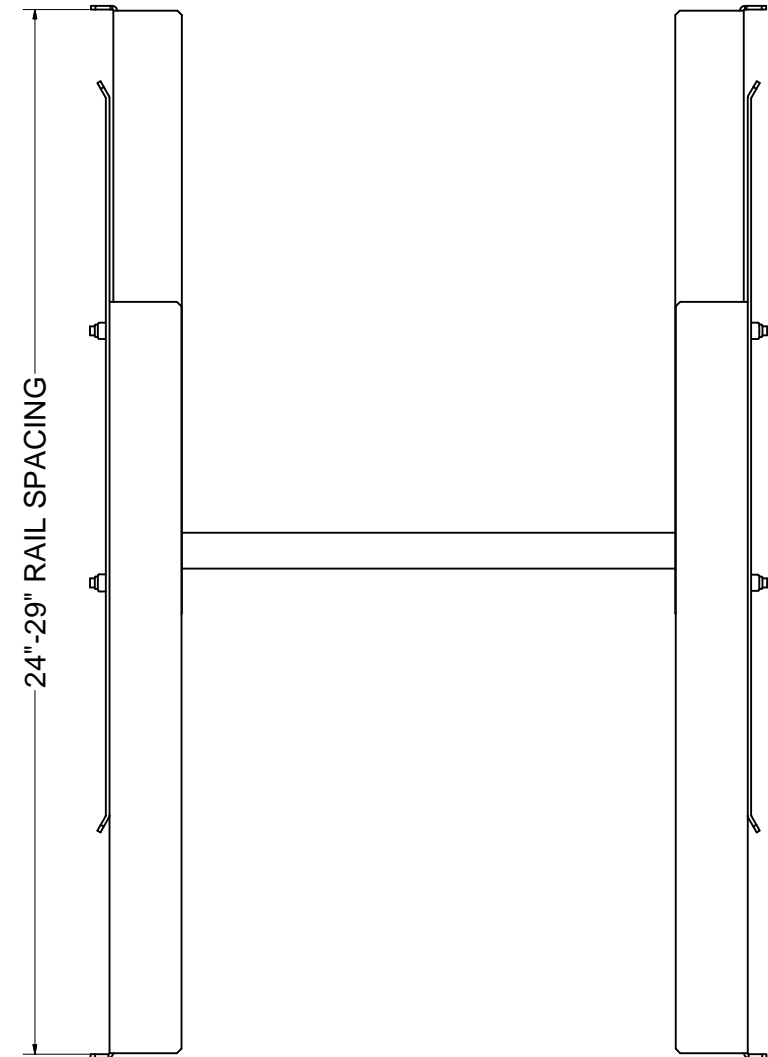


REVISION HISTORY			
REV	DESCRIPTION	DATE	APPROVED
0	ECO-03951	7/18/2013	PCS
1	ECO-06119	1/7/2014	PCS

Bill of Material						
ITEM	PART NUMBER	STOCK NUMBER	QTY	DESCRIPTION	FILE NAME	REV
1	I019315		1	FRONT RIGHT SUPPORT BRACKET	I019315.ipt	0
2	I019316		1	FRONT LEFT SUPPORT BRACKET	I019316.ipt	0
3	I019317		1	RIGHT REAR ADJUSTER BRACKET	I019317.iam	1
4	I019318		1	LEFT REAR ADJUSTER BRACKET	I019318.iam	1
5	I019329		2	SIDE ALIGNMENT BRACKET	I019329.ipt	1
6	I019330		1	CROSS SUPPORT BRACKET	I019330.ipt	0
7	10-32STOPNUT	H02-005	2	10-32 ELASTIC STOP NUT, 2ZN3687	10-32STOPNUT.ipt	-
8	250-20ESNUT	H02-012	4	1/4-20 ELASTIC STOP NUT	250-20ESNUT.ipt	-



SPECIAL NOTES:
 1) REFER TO PURCHASE ORDER, SPECIAL INSTRUCTIONS MAY APPLY
 2) DO NOT ASSEMBLE, BAG AND SHIP AS KIT

EST. WEIGHT :
11.99 lbmass

INTERPRET DRAWING PER ASME Y14.5M-1994
 DIMENSIONAL LIMITS APPLY
 AFTER APPLICATION OF FINISH
 DRAWING NOT TO SCALE
 TOLERANCE UNLESS OTHERWISE NOTED:
 ANGULAR +/- .1'
 .XXXX +/- .010
 .XXX +/- .015
 .XX +/- .030
 .X FOR REF. ONLY
 UNLESS OTHERWISE SPECIFIED
 ALL DIMENSIONS ARE IN INCHES

NOTICE:
 Use of this document is subject to a confidentiality and nondisclosure agreement with Great Lakes Case & Cabinet Co., Inc. (GLCC) and may not be reproduced, disclosed or utilized in whole or in part without prior written authorization from GLCC.

PART NUMBER:
ESF2429X100
 QTY PER UNIT: 1
 MATERIAL TYPE:
 MATERIAL GAUGE:
 FINISH:

TITLE
EQUIPMENT SUPPORT FRAME SET FOR 24" TO 29" RAIL TO RAIL ADJUSTMENT, 19" EIA
GREAT LAKES CASE & CABINET CO., INC.
 P.O. BOX 551 EDINBORO, PA 16412
 PHONE (814) 734-7303 FAX (814) 734-3907
 E-MAIL glcc@greatcabinets.com

DRAWN: PCS DATE: 7/18/2013
 CHECKED & APP. DATE: 7/18/2013
 WSS
 DWG NO: **I019314**
 REV: **1**
 SHEET: 1 OF 1